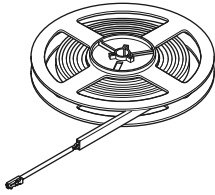


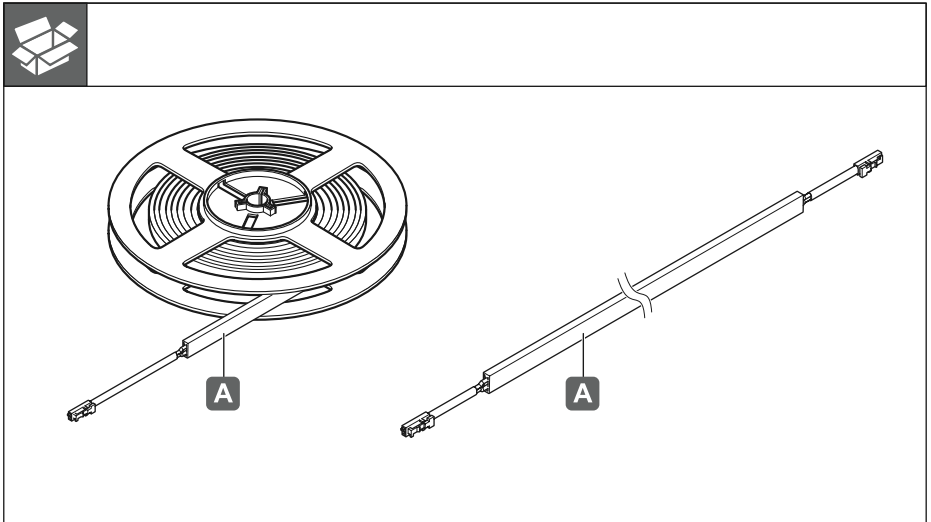


LED 2099
LED 3099

833.75.260	833.74.260
833.75.261	833.74.261
833.75.262	833.74.262
833.75.263	833.74.263



732.28.393



	12/24 V System	W/m	← max. (m) →					3.000 x 4 x 10 mm	T _A
			20W	40W	60W	90W	270W		
12V	LED2099	9,6	2,0	4,1	6,2	–	–	-20 °C – +45 °C -4 °F – +113 °F	
24V	LED3099	9,6	2,0	4,1	–	9,3	9,3		

HDE 31.03.2022

