



Overview

Dual Relay Wiring

2026
Version 2.0.0



Contents

Introduction.....	2
Dual Relay.....	2
Mains.....	2
Wireless Products.....	2
Wired Products.....	3
24VDC Polarity Switching.....	5
Wireless Products.....	5
Wired Products.....	6
Dry Contact Closure.....	7

Introduction

Rako offers a range of products for the control of curtain and blind motors. Depending on the motor manufacturer, most blind motors can be controlled via one of the following:

- ✓ 240V AC Mains
- ✓ 24V DC Polarity Switching
- ✓ Dry Contact Closure

Rako has an extensive product range to accommodate all of the above motor types across its Wired and Wireless catalog. The products are configured using Rako software and offer customisable options such as relay timeout, momentary action and latching action.

Mains Motor

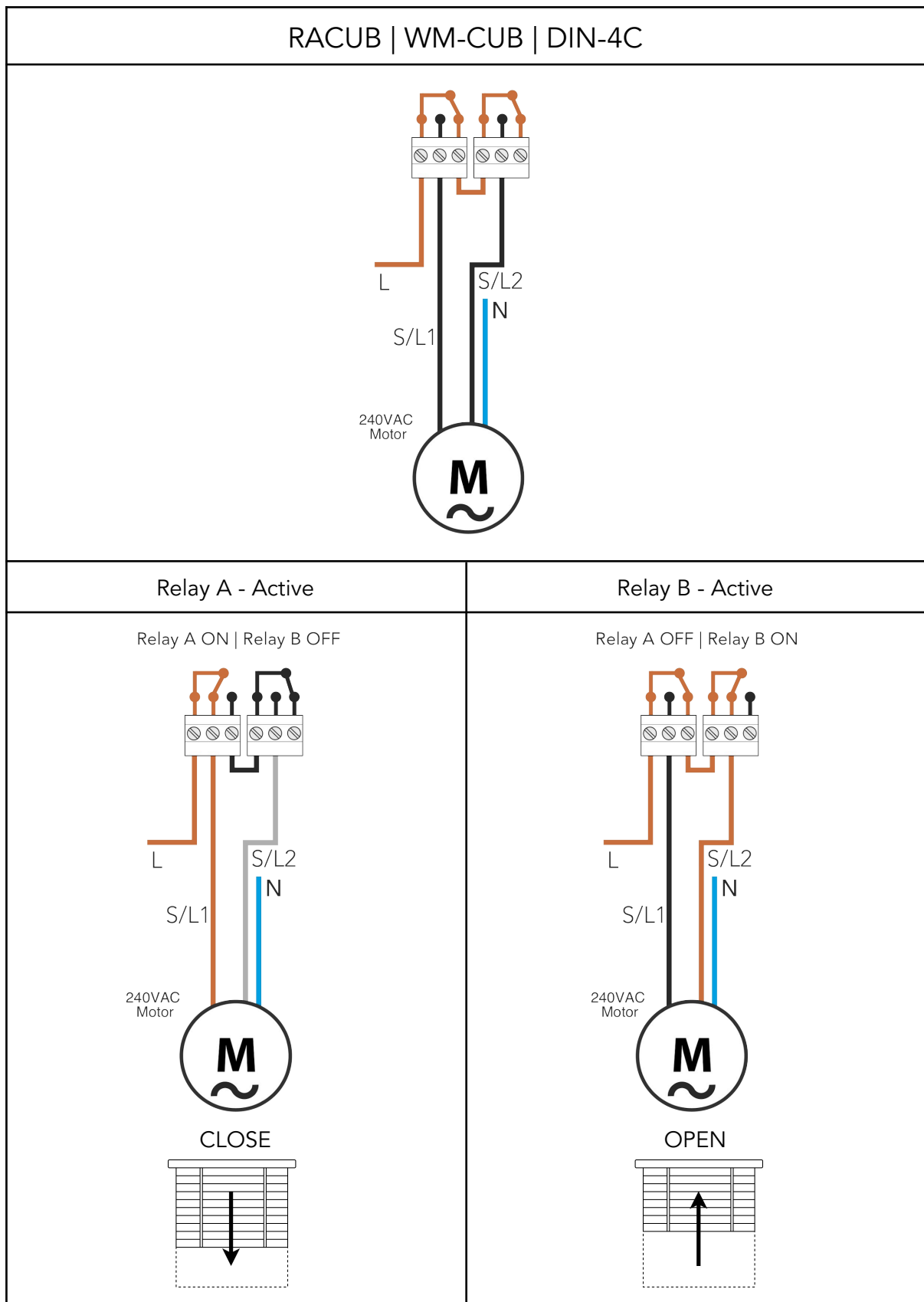
Wireless Products

- RACUB
- RACUB2L

Wired Products

- WM-CUB (With RAK8-MB)
- DIN-4C

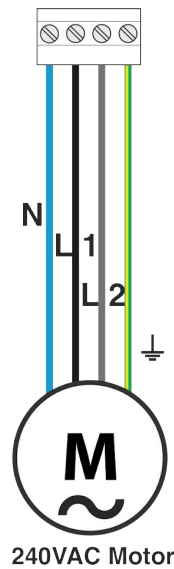
Mains Motor Wiring



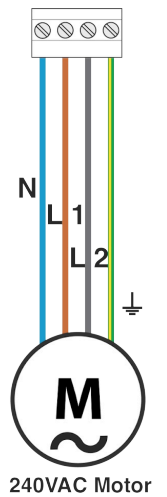
240VAC Wiring (4 Terminals)

RACUB-2L

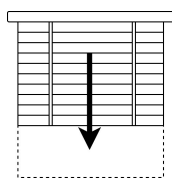
The internal relays have a mains voltage source from the input of the module. The RACUB-2L does not require a feed on the terminals shown unlike the six terminal counterpart.



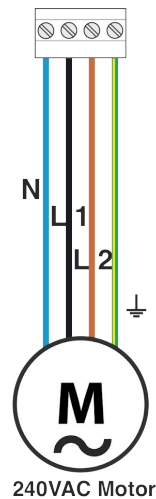
Relay A - Active (L1 Live)



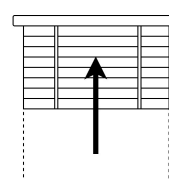
CLOSE



Relay B - Active (L2 Live)



OPEN



24VDC Polarity Switching

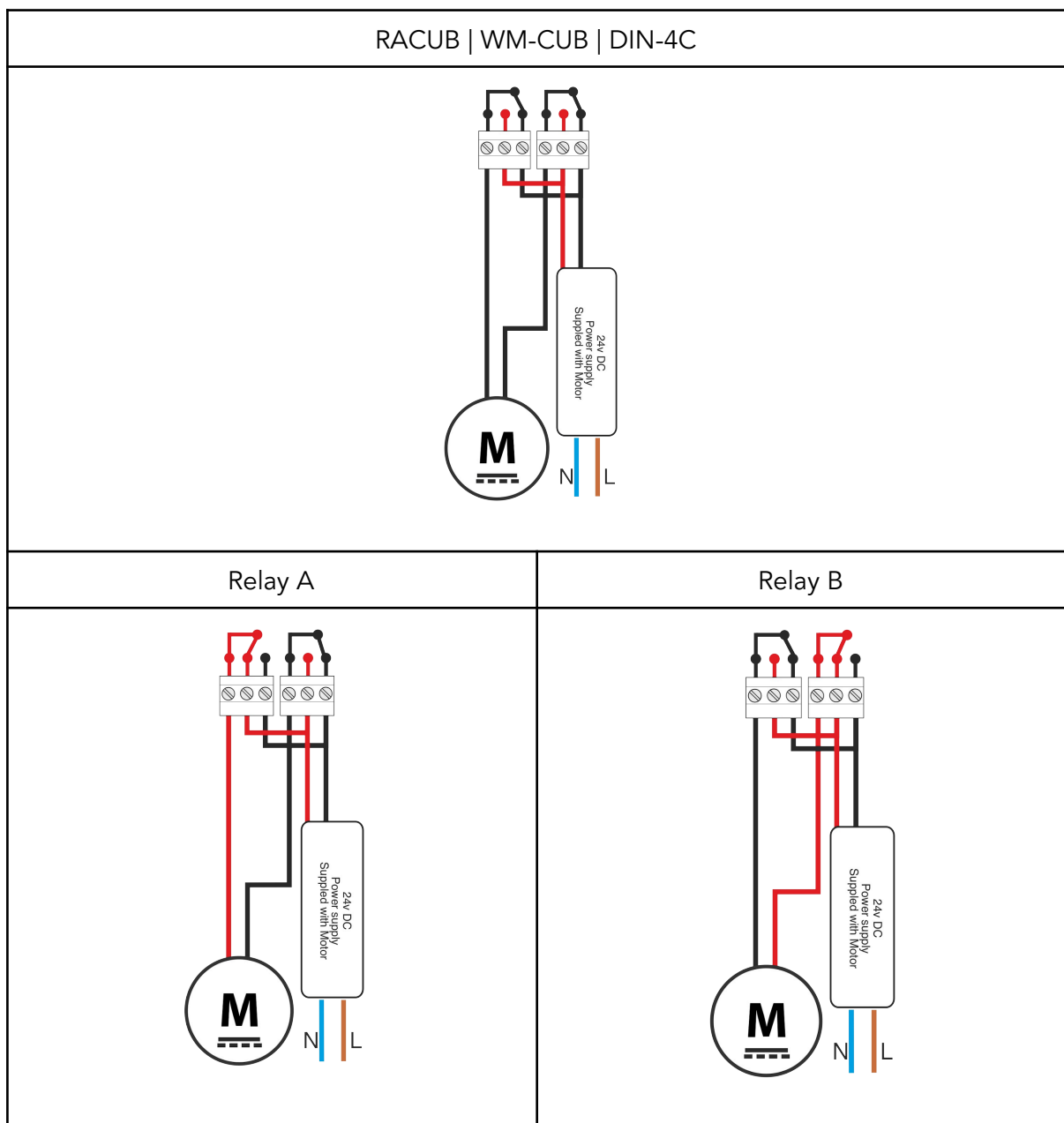
Wireless Products

- RACUB
- RACUB-24VDC

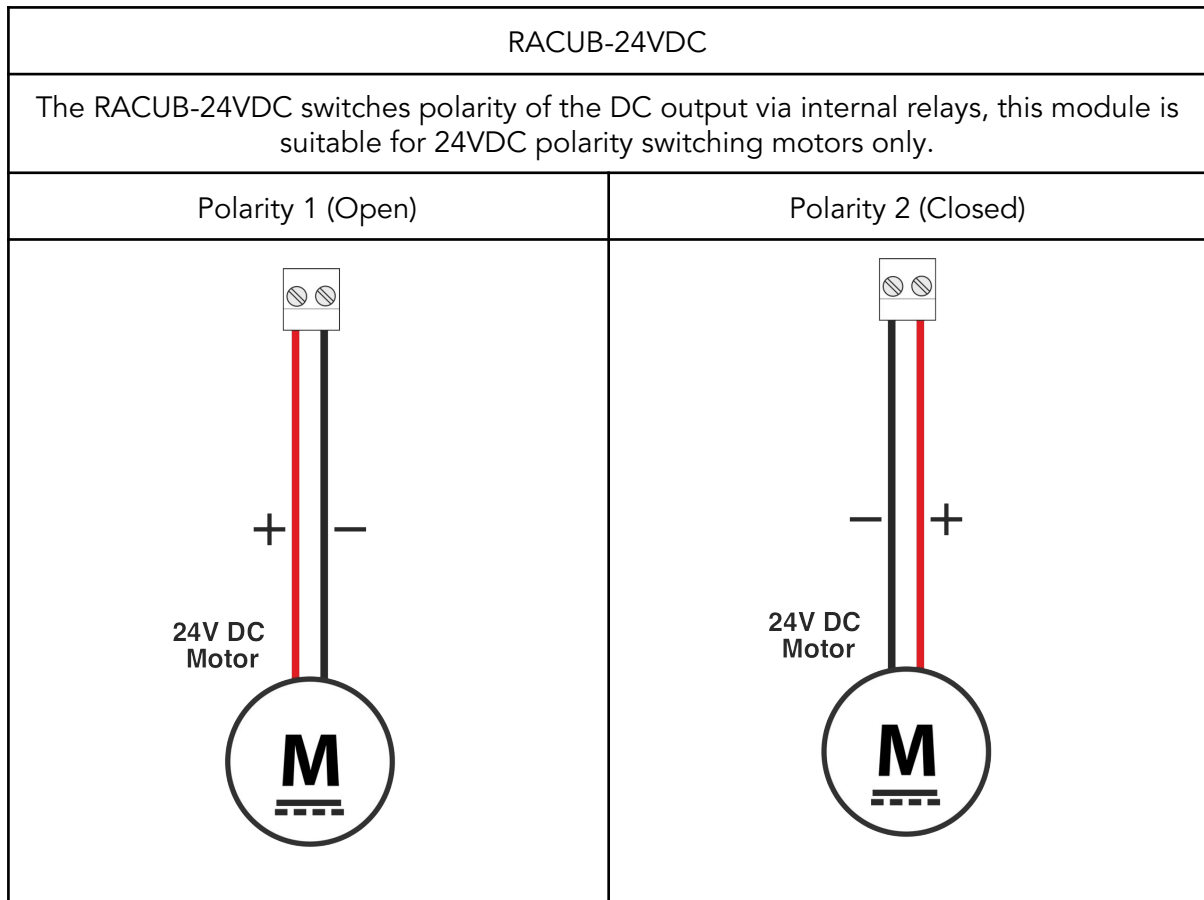
Wired Products

- WM-CUB (With RAK8-MB)
- DIN-4C

24VDC Polarity Switched Wiring (6 Terminals)



24VDC Polarity Switched Wiring (2 Terminals)



Dry Contact Closure

