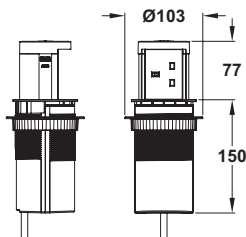


Pop-up sockets

Wireless and dual USB charging

3 Electrical: Power & Charging

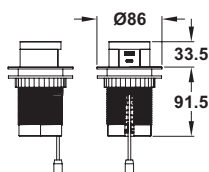
Pop-up socket with wireless and dual USB quick charge



- > Area of application: Recommended for use in homes, cafes, restaurants, hotels and offices
Suitable for mobiles, tablets and laptop (Type-C, 30W or below power)
- > Installation: Recessed with retractable hidden function
- > Sockets: 1x UK 13 amp socket
1x USB-A quick charge socket
1x USB-C quick charge socket
1x wireless quick charge surface charger
- > Wireless charging: Wireless quick charger up to 10W
Wireless charge efficiency: >75%
Effective charging distance: 2-5 mm
- > Material: Aluminium and polycarbonate
- > Overall Ø: 103 mm
- > Drill hole Ø: 80 mm
- > Supplied with: 1 pop-up socket with 2.0 m mains cable with 13A moulded plug

Finish	Cat. No.
Black/aluminium	822.91.206

3 in 1 Quick charge wireless and dual USB charger



- > Area of application: Recommended for use in homes, cafes, restaurants, hotels and offices
Suitable for mobiles, tablets and laptop (Type-C, 30W or below power)
- > Installation: Recessed with retractable hidden function
- > Sockets: 1x USB-A quick charge socket
1x USB-C quick charge socket
1x wireless quick charge surface charger
- > Wireless charging: Wireless quick charger up to 10W
Wireless charge efficiency: >75%
Effective charging distance: 2-5 mm
- > Material: Aluminium and polycarbonate
- > Overall Ø: 86 mm
- > Drill hole Ø: 60-80 mm
- > Supplied with: 1 pop-up socket with 2.0 m mains cable with 13A moulded plug

Finish	Cat. No.
Black/aluminium	822.91.204

LIGHTING & ELECTRICAL 2025, © Häfele U.K. Ltd 2025. Dimensional data not binding. We reserve the right to alter specifications without notice.

Trio series

Sockets and dual USB

Docking Drawer®

Docking Drawer Trio series



Create organised and functional spaces. Install Docking Drawer Trio outlets into any drawer to clear countertop cord and device clutter and bring purpose to your drawers. Docking Drawer Trio outlets are CE & UKCA Listed for use in UK and Ireland.

- > Smart - Features an interlocking thermostat that de-energizes the outlet when the surrounding temperature exceeds 49°C
- > Simple - Designed for simple specification into every type of drawer at any stage of the project, from new construction to existing drawers
- > Safe - CE & UKCA Listed featuring tamper resistant outlets and USB-C (PD) ports with an internal thermoregulator to prevent electronics from overheating



Version A - Black

Version B - Black



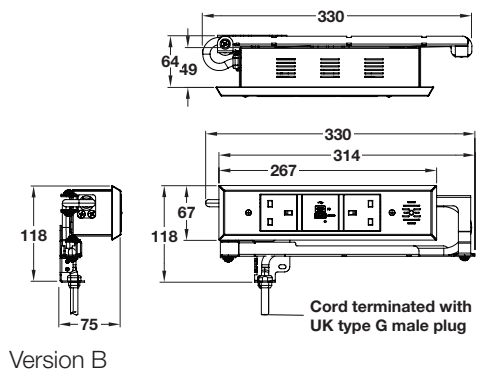
Version A - Stainless steel

Version B - Stainless steel



Version A - White

Version B - White



- > Installation: Easily plugs in with 1.2 m cord terminated with UK Type G plug
- > Feature: Features an interlocking thermostat that cuts power to the outlet when surrounding temps exceed 49°C
- > Sockets - Version A: 1x UK socket - 10 amps @240 VAC
2x USB-C (PD): 5V@3A, 9V@3A, 12V@2.5A, 15V@2A, 20V@1.5A
2x USB-A: 5V@3A, 9V@3A, 12V@2.5A, 20V@1.5A
- > Sockets - Version B: 2x UK sockets - 10 amps @240 VAC
1x USB-C (PD): 5V@3A, 9V@3A, 12V@2.5A, 15V@2A, 20V@1.5A
1x USB-A: 5V@3A, 9V@3A, 12V@2.5A, 20V@1.5A
- > Cabinet specifications: Min. drawer box width: ≥381 mm
Min. space behind drawer box: 51 mm
Min. interior drawer box height: 75 mm
- > Total output power: max. 30W
- > Supplied with: 1 docking drawer with 1.2 m mains cable with UK Type G plug

Includes sockets/ports	Version A	Version B
UK plug socket	1	2
USB-C port	2	1
USB-A port	2	1
Black	833.53.350	833.53.347
Stainless steel	833.53.353	833.53.352
White	833.53.346	833.53.344