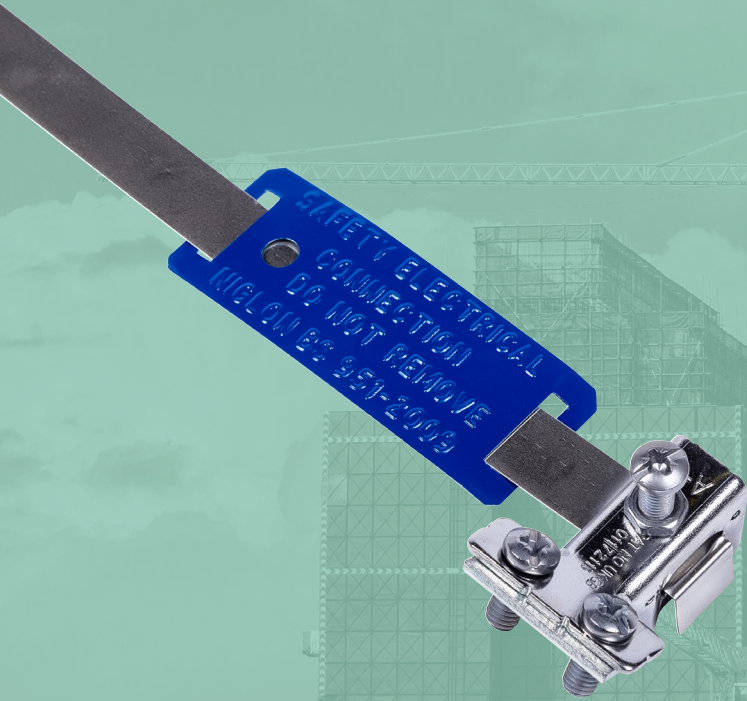


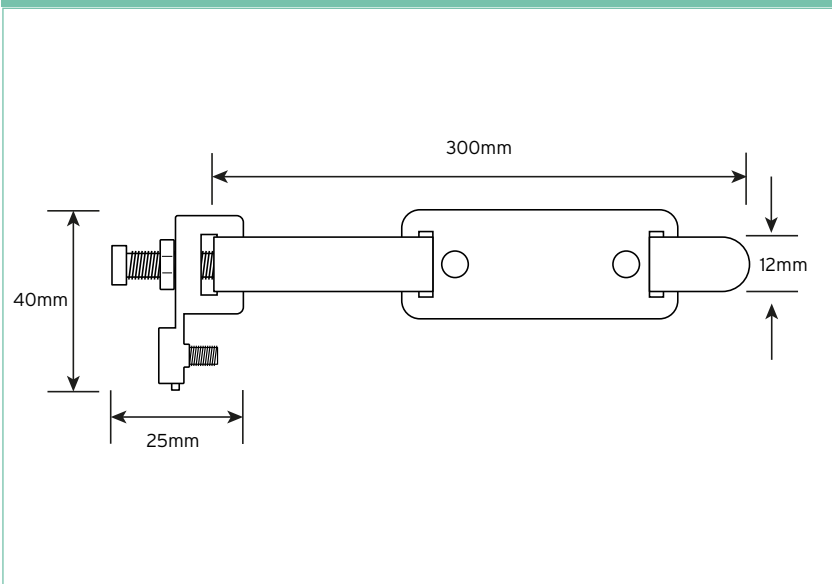
# niglon

## Earthing

# AEC3/3 Damp Condition Clamps



### Technical Drawing



### Technical Specifications

|                               |                             |
|-------------------------------|-----------------------------|
| Pipe Diameter                 | 50-75mm                     |
| Maximum Conductor             | A-E 2 x 16mm <sup>2</sup>   |
| Standard of Compliance        | BS 951                      |
| Clamp Dimension               | 25 x 40 x 13mm (H x W x D)  |
| Strap Dimension               | 12 x 300mm (W x L)          |
| Material:                     |                             |
| Screws                        | Galvanized Steel            |
| Thrust Piece and Clamping Lug | Nickle Plated Brass         |
| Strap                         | Bronze Strap, Nickle Plated |