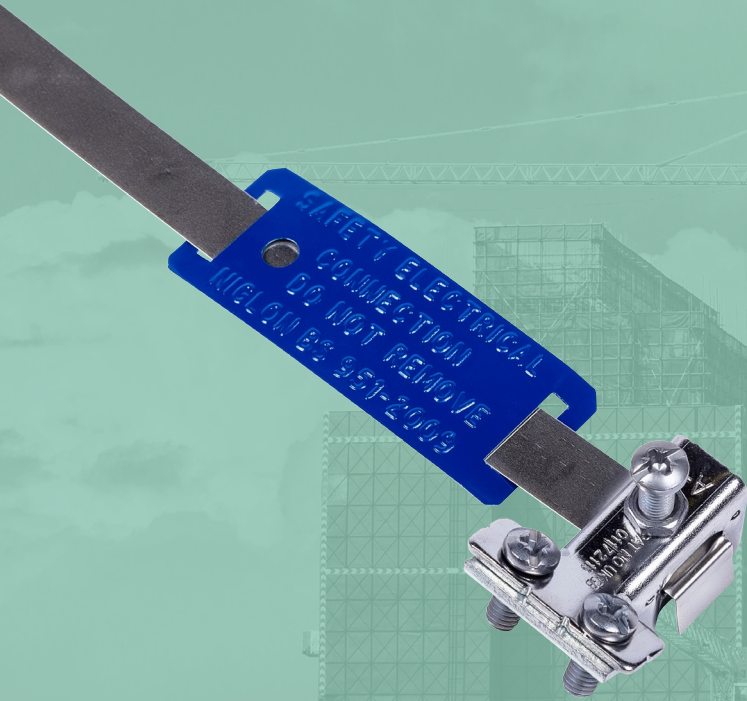


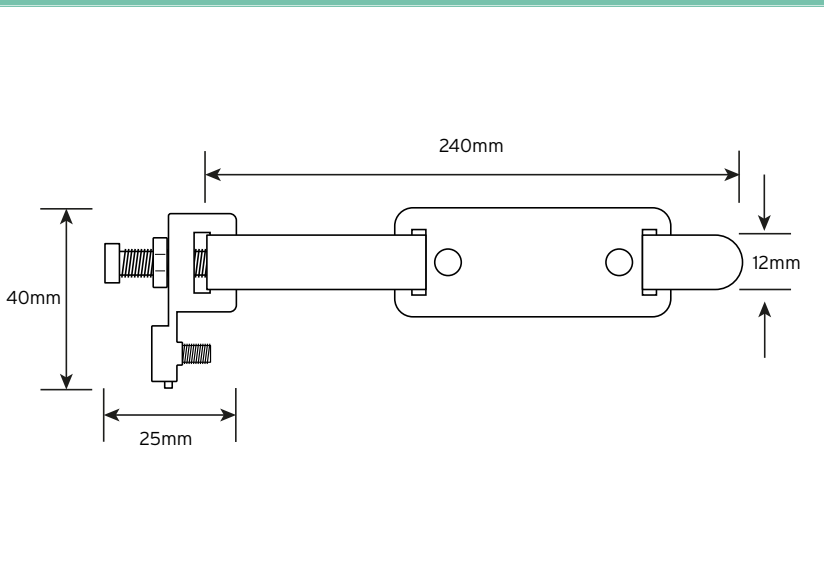
# niglon

## Earthing

# AEC3/2 Damp Condition Clamps



### Technical Drawing



### Technical Specifications

Pipe Diameter	32-50mm
Maximum Conductor	A-E 2 x 16mm <sup>2</sup>
Standard of Compliance	BS 951
Clamp Dimension	25 x 40 x 13mm (H x W x D)
Strap Dimension	12 x 240mm (W x L)
Material:	
Screws	Galvanized Steel
Thrust Piece and Clamping Lug	Nickel Plated Brass
Strap	Bronze Strap, Nickel Plated