

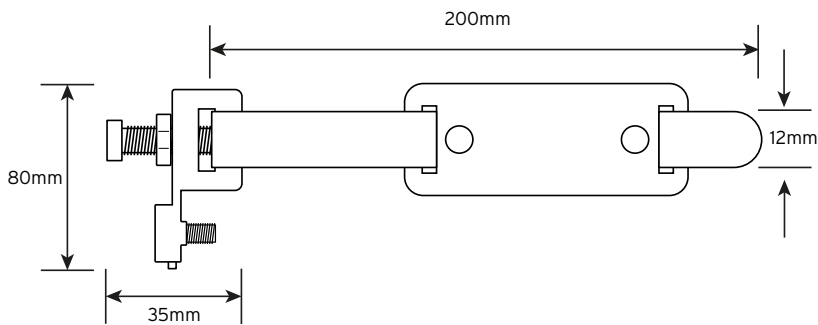
# niglon

## Earthing

# AEC5 Heavy Duty Clamps Dry Conditions



### Technical Drawing



### Technical Specifications

Pipe Diameter	12-38mm
Maximum Conductor	F-H 1 x 75mm <sup>2</sup>
Standard of Compliance	BS 951
Clamp Dimension	35 x 80mm (H x W)
Strap Dimension	12 x 200mm (W x L)
<b>Material:</b>	
Screws	Galvanized Steel
Thrust Piece and Clamping Lug	Nickle Plated Brass
Strap	Bronze Strap, Nickle Plated