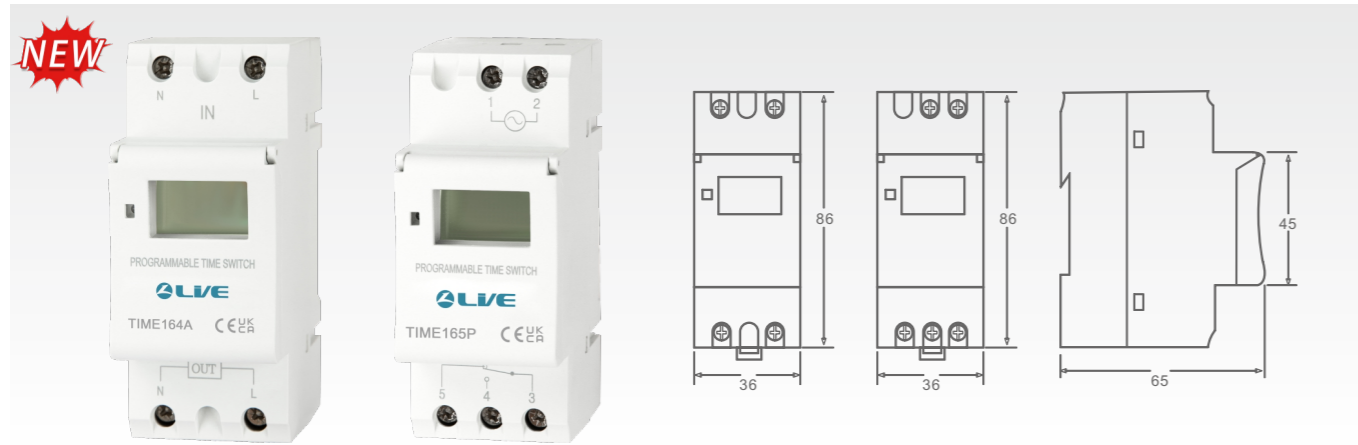


Digital Timer



Technical Data

- Voltage Rating: AC220V 50/60HZ.
- Voltage Limit: $\pm 10\%$.
- Count Down: 1 sec - 99 min 59 sec.
- Hysteresis: ≤ 2 sec/day(25°C).
- Pulse: 1 sec - 59 min 59 sec.
- ON/OFF operation: 16 ON & 16 OFF, 18 times pulse.
- Power Consumption: 7.5VA(max).

- Display: LCD.
- Switching Contact: 1 changeover switch.
- Minimum Interval : 1 minute.
- Ambient Temperature: -10~+40°C.
- Ambient Humidity: 35~85%RH.
- 35mm DIN Rail Mountable.
- Manufactured to EN 60730-1.

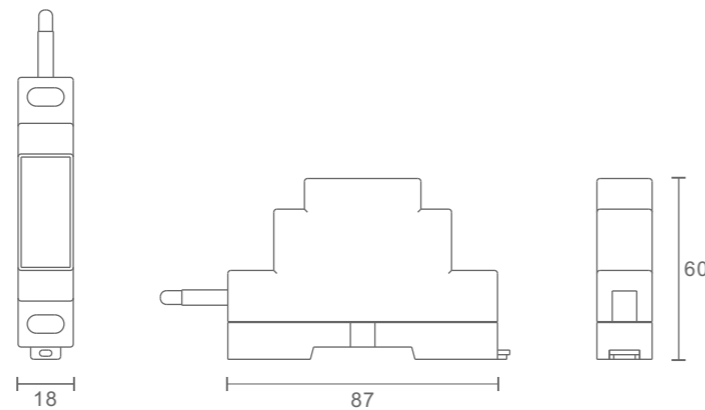
Part No	Description	Box Qty
TIME164A	Digital Timer (Active)	100
TIME165P	Digital Timer (Passive)	100

Hot Aerosol Fire Extinguishing Device



Technical Data

- Spray Release Time: $\leq 6S$.
- Applicable environmental: -50~+90°C <95%RH.
- Oxidizer Content/Strontium Nitrate Content: 50%~58%.
- Protected Space: $\leq 0.1m^3$.
- Installation: 35mm Din Rail.



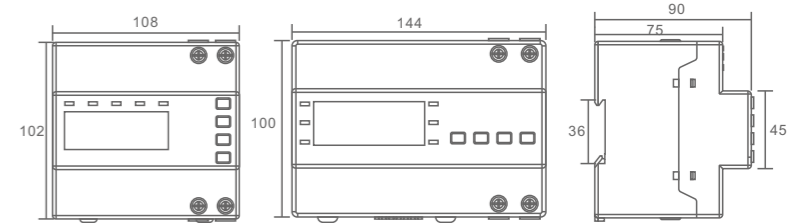
Part No	Description	Box Qty
LFE10G	Hot Aerosol Fire Extinguishing Device	140

Current Limiting Protector For Electric Fire Prevention



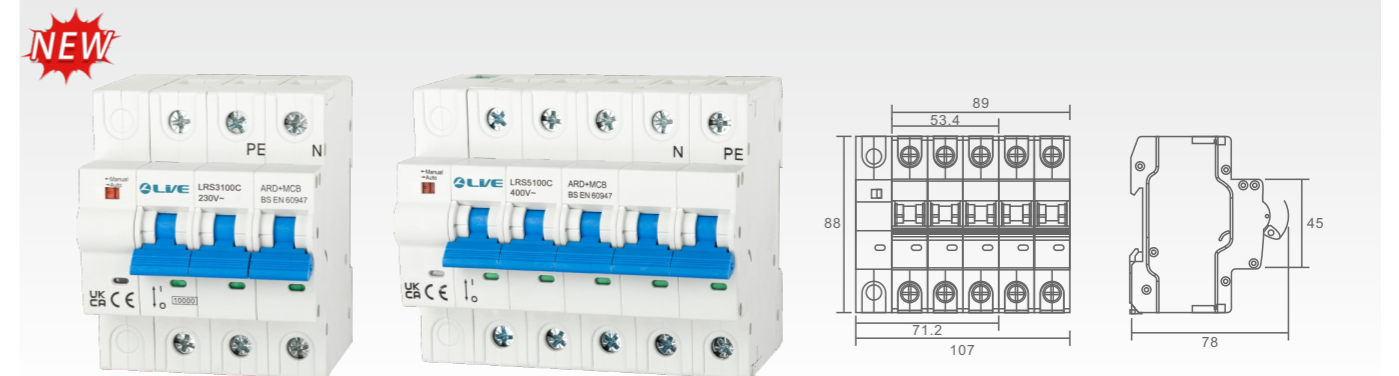
Technical Data

- Frame: C,D.
- Rated currents(I_n): 10A,20A,32A,40A,63A,80A.
- Voltage: AC110~265V .
- Rated frequency: 50Hz.
- Communication protocol: Modbus-485.



Part No	Description	Box Qty
LCP10	Single Phase Frame C 10A Fireproof Current Limiting Protector	20
LCP20	Single Phase Frame C 20A Fireproof Current Limiting Protector	20
LCP32	Single Phase Frame C 32A Fireproof Current Limiting Protector	20
LCP40	Single Phase Frame C 40A Fireproof Current Limiting Protector	20
LCP63	Single Phase Frame D 63A Fireproof Current Limiting Protector	20
LCP80	Single Phase Frame D 80A Fireproof Current Limiting Protector	20

Automatic Reclosing Switch



Technical Data

- Rated current(I_e): 40A,63A,80A,100A.
- Pole:3P,5P.
- Rate voltage (U_e): 230V/400VAC.
- Rated short-circuit capacity (I_{cn}): 6kA.
- Insulation voltage(U_i): 690V.
- Rated frequency: 50/60Hz.
- Tripping Type: Type C.
- Automatic Closing Time: 5s (customizable).
- Rated Impulse Withstand Voltage: 4KV.
- Standard: BS EN 60947.
- Protection degree: IP20.

Part No	Description	Box Qty
LRS340C	3P 40A Automatic reclosing switch	60
LRS363C	3P 63A Automatic reclosing switch	60
LRS380C	3P 80A Automatic reclosing switch	60
LRS3100C	3P 100A Automatic reclosing switch	60
LRS540C	5P 40A Automatic reclosing switch	36
LRS563C	5P 63A Automatic reclosing switch	36
LRS580C	5P 80A Automatic reclosing switch	36
LRS5100C	5P 100A Automatic reclosing switch	36