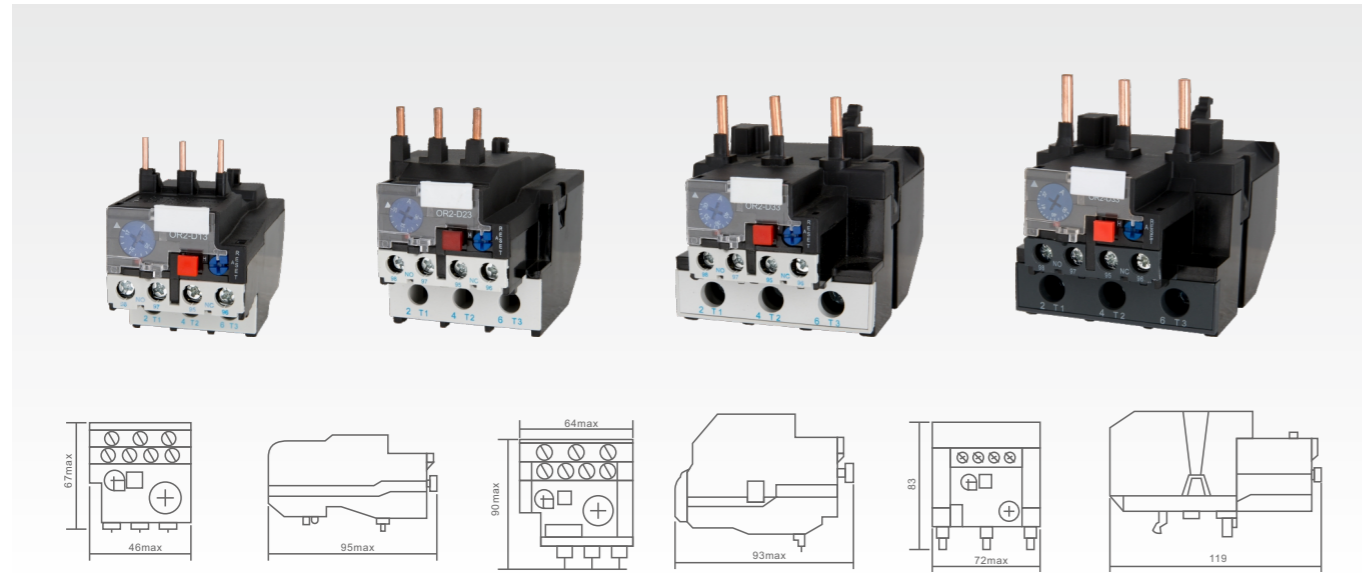


Thermal Overload Relay



Description & Features

The LVE thermal relay can be used in the circuit of 50Hz or 60Hz, rated insulation voltage 660V, rated current 0.1-0.93A for protecting the phase break when the electric motor is overload. The relay has different mechanism and temperature compensation & can be plugged in LAC series AC contact.

Technical Data

- Rated frequency 50-60Hz.
- Altitude: not exceeding 2000m.
- The ambient air temperature is -58 °C~+40 °C, and the average temperature within 24 hours does not exceed +35 °C.

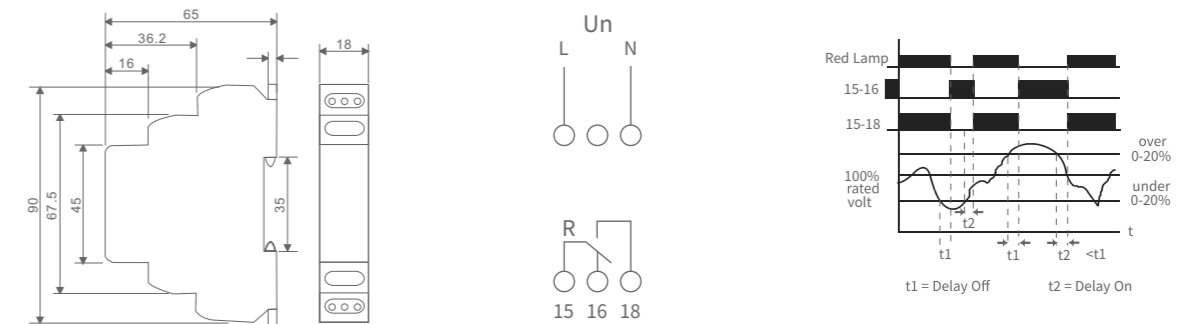
Part No	Description	Rated current selection range(A)	Box Qty
OR2-D13/0.16	0.16A D13 hot overload relay	0.10~0.16 rated current (A)	100
OR2-D13/0.25	0.25A D13 hot overload relay	0.16~0.25 rated current (A)	100
OR2-D13/0.40	0.4A D13 hot overload relay	0.25~0.40 rated current (A)	100
OR2-D13/0.63	0.63A D13 hot overload relay	0.40~0.63 rated current (A)	100
OR2-D13/1.0	1.0A D13 hot overload relay	0.63~1.0 rated current (A)	100
OR2-D13/1.6	1.6A D13 hot overload relay	1.0~1.6 rated current (A)	100
OR2-D13/2.0	2.0A D13 hot overload relay	1.25~2.0 rated current (A)	100
OR2-D13/2.5	2.5A D13 hot overload relay	1.6~2.5 rated current (A)	100
OR2-D13/4.0	4.0A D13 hot overload relay	2.5~4.0 rated current (A)	100
OR2-D13/6.0	6.0A D13 hot overload relay	4.0~6.0 rated current (A)	100
OR2-D13/8.0	8.0A D13 hot overload relay	5.5~8.0 rated current (A)	100
OR2-D13/10.0	10A D13 hot overload relay	7.0~10.0 rated current (A)	100
OR2-D13/13.0	13A D13 hot overoad relay	9.0~13.0 rated current (A)	100
OR2-D13/18.0	18A D13 hot overoad relay	12.0~18.0 rated current (A)	100
OR2-D13/25.0	25A D13 hot overload relay	17.0~25.0 rated current (A)	100
OR2-D23/32	32A D23 hot overoad relay	23.0~32.0 rated current (A)	50
OR2-D23/36	36A D23 hot overload relay	28.0~36.0 rated current (A)	50
OR2-D33/32	32A D33 hot overoad relay	23.0~32.0 rated current (A)	50
OR2-D33/40	40A D33 hot overoad relay	30.0~40.0 rated current (A)	50
OR2-D33/50	50A D33 hot overoad relay	37.0~50.0 rated current (A)	50
OR2-D33/65	65A D33 hot overoad relay	48.0~65.0 rated current (A)	50
OR2-D33/70	70A D33 hot overoad relay	55.0~70.0 rated current (A)	50
OR2-D33/80	80A D33 hot overoad relay	63.0~80.0 rated current (A)	50
OR2-D33/93	93A D33 hot overoad relay	80.0~93.0 rated current (A)	50
OR2-D43/104	104A D43 hot overload relay	83.0~104.0 rated current (A)	50
OR2-D43/120	120A D43 hot overload relay	95.0~120.0 rated current (A)	50
OR2-D43/140	140A D43 hot overload relay	110.0~140.0 rated current (A)	50

Single Phase Voltage Protection Relay



Features

1. Cut off the line when Over & Under Voltage occurs, and automatically reset and connect the line after returning to normal without manual operation.
2. When the line appears transient or transient Over & Under Voltage, the protector does not malfunction.



Part No	Description	Box Qty
KR7311/220	AC220V Single Phase Voltage Protection Relay	100

Technical Data	KR7311/220
Monitoring Type	Single Phase
Output Characteristics	SPDT
Over Voltage	0~20%
Under Voltage	0~20%
Time Delay	0.1~10S
Phase Sequence	-
Phase Failure	-
Working Voltage	AC 220V
Frequency	50/60Hz
Response Time of Relay	0.5s
Contact Rating	AC-15:3A/250VAC
Ambient Temperature	-10°C~+55°C
Voltage Error	±2% Max
Temperature Error	±2% Max