



INSTALLATION GUIDE & USER MANUAL

AFD600D/PRO

This product contains a light source of energy efficiency class: E. The light source contained in this luminaire shall only be replaced by the manufacturer or his service agent or a similar qualified person.



ENSURE POWER SUPPLY IS OFF WHEN HANDLING ANY ELECTRICAL EQUIPMENT.

Returns & Faulty Items

- If any problem is encountered during or after installation, please call ALL LED technical department to get the problem resolved as soon as possible.
- Please do not just return the item to the outlet you purchased it from, as you are only entitled to a replacement or refund after the unit has undergone testing and the unit has been confirmed as having a manufacturing defect/fault. Your statutory rights are not affected.
- The manufacturer will not be deemed liable or held responsible for any damages caused by faults or manufacturing defects that may be present in any of its products or the misuse or incorrect installation of this device.
- All installations must be carried out in accordance with this installation guide and user manual.
- All goods are supplied under the terms and conditions of ALL LED LTD, a copy of which may be obtained upon written request.



ATTENTION

**IF ANY PROBLEMS PERSIST, PLEASE CALL THE ALL LED
TECHNICAL DEPARTMENT FOR FURTHER ASSISTANCE.**

UK Patent Application No. 2412318.4 European Patent Application No. 25275041.9
For further information on intellectual property please visit www.rotalens.com

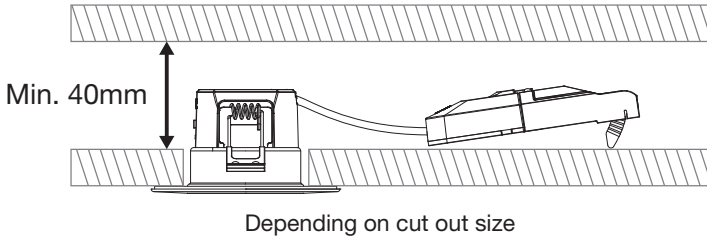
Environmental Protection Waste electrical products should not be disposed of with household waste. Please recycle where facilities exist. Check with your local authority or retailer for recycling advice.

The manufacturer will not be deemed liable or held responsible for any damages caused by faults or manufacturing defects that may be present in any of its products or the misuse or incorrect installation of this device. Your statutory rights are not affected.

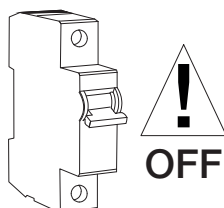
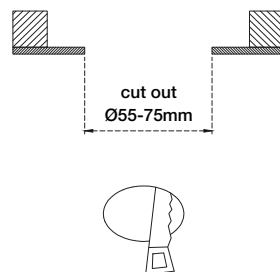
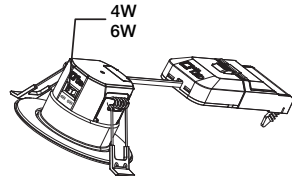
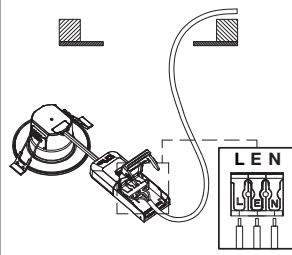
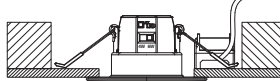
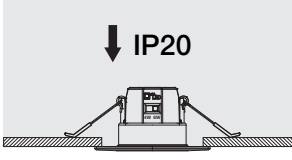
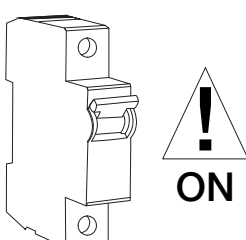
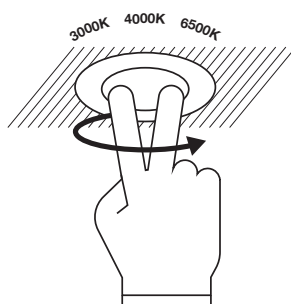
Patent



Ceiling Void Requirements (without insulation)



Installation Instructions

1  <p>OFF</p>	2  <p>cut out Ø55-75mm</p>	3  <p>4W 6W</p>
4  <p>LEN</p>	5 	6  <p>↓ IP20</p> <p>↑ IP44</p>
7  <p>ON</p>	8  <p>3000K 4000K 6500K</p>	