

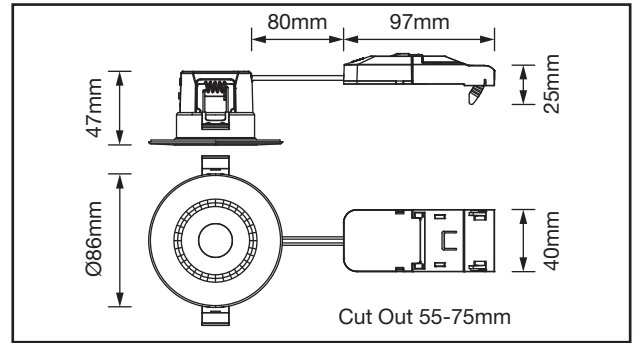
AFD600D/PRO

4W/6W 755lm Fire-Rated Dimmable LED Downlight – IP44, CCT & Wattage Selectable, With 2-Part Connector



PRODUCT FEATURES

- Revolutionary RotaLens™ Technology – Twist The Lens To Change The CCT Without Removing The Downlight From The Ceiling
- Designed & Engineered In The UK, Patented RotaLens™ Technology
- Wattage Selectable – Easily Switch Between 4W And 6W To Customise The Output To Your Lighting Needs
- Quick & Simple Wiring – 2-Part Push-Fit Connector With Loop-In / Loop-Out Terminals For Faster Installs
- Fire Rated – Tested For 30, 60, And 90 Minutes On Timber Joists, 30 & 90 Minutes On I-Joists, And 30 Minutes On Metal Web Joists
- Regulation Ready – Compliant With Part B (Fire), Part C (Moisture), Part E (Acoustic), And Part L (Air Leakage)
- CCT Selectable – Choose From 3000K (Warm White), 4000K (Cool White), Or 6500K (Daylight)
- IP44 Rated – Protection Against Dust And Splashes, Perfect For Bathrooms And Kitchens
- 0.8mm Ultra-Slim Polar White Bezel – Sleek, Modern Look Included As Standard
- Insulation Coverable – Built To Work Safely With Insulation
- Customisable Colours – Slim Snap-On Bezels Available
- High Efficiency – Delivers Up To 126 Lumens Per Watt For Maximum Brightness With Low Energy Use
- Fits Within A Minimum Ceiling Void Of 40mm (Excluding Insulation)



TECHNICAL SPECIFICATIONS

Code	AFD600D/CCT					
	4W			6W		
Operating Output Power (W)						
Luminous Flux (LM)	≤470lm	≤510lm	≤490lm	≤660lm	≤755lm	≤700lm
Useful Luminous Flux (LM)	≤360lm	≤400lm	≤380lm	≤515lm	≤590lm	≤550lm
CCT (Kelvin)	3000K	4000K	6500K	3000K	4000K	6500K
Beam Angle (°)	36°			36°		
SDCM	<6			<6		
CRI	80			80		
Peak Intensity (cd)	625cd	657cd	643cd	891cd	973cd	916cd
Operating Voltage (V)	220-240V AC			220-240V AC		
Operating Current (A Max)	0.025A			0.032A		
Power Factor (Pf)	>0.9			>0.9		
Class	II			II		
Body Material	Polycarbonate & Pressed Steel			Polycarbonate & Pressed Steel		
Frame Colour	Polar White			Polar White		
Switching Cycles	≥100,000			≥100,000		
Ingress Protection	IP44			IP44		
Ambient Operating Temperature (°C)	-10°C ~ +25°C			-10°C ~ +25°C		
Input Frequency (Hz)	50/60Hz			50/60Hz		
Guarantee	3 Years			3 Years		
Dimmable	Yes			Yes		
Dimming Mode (Trailing Or Leading)	Trailing			Trailing		
Lifetime (L70 B50)	≥30,000 Hrs			≥30,000 Hrs		
Survival Factor	>0.9			>0.9		
Lumen Maintenance Factor	>0.96			>0.96		
Displacement Factor	0.9			0.9		
Flicker Metric (PstLM)	<1			<1		
Stroboscopic Effect Metric (SVM)	<0.4			<0.4		

ACCESSORIES*

Low Profile Snap On Bezels Available In Various Finishes



*Sold Separately