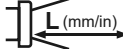
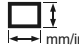

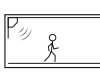
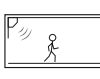
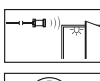






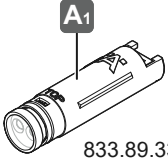
833.89.333
833.89.335

833.89.334
833.89.032

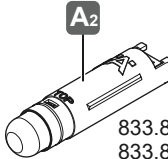
		V			T _A
833.89.333	 	12 V 24 V	0 - 3000mm 0 - 118.11in	45x12mm / 1.77x0.47in	-20°C - + 45°C -4°F - +113°F
833.89.335					
833.89.334	 				
833.89.032					

732.28.475

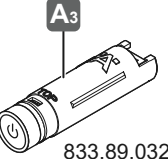




A₁
833.89.334

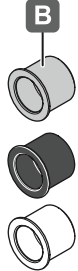


A₂
833.89.333
833.89.335





A₃
833.89.032


B




+

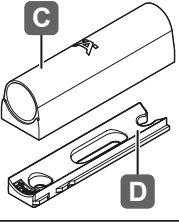
833.89.331 

833.89.332 

833.89.330 

2x  **E**

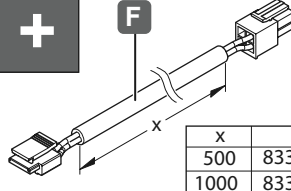
C



D

+


F

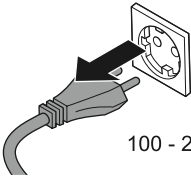


x	
500	833.89.140
1000	833.89.141
2000	833.89.142

[MS205]

i





100 - 240 V~

HDE 17.10.2024

1

<p>833.89.334</p> <p>833.89.333 833.89.335</p> <p>30/60/180 sec</p>	<p>833.89.032</p> <p>Memory OFF → Memory ON</p>
---	---

2a

12 mm / 0.47 in

F

1

A₁ / A₂ / A₃

45 / 1.77

Ø 12 / 0.47

2

Ø 12 / 0.47

3

4

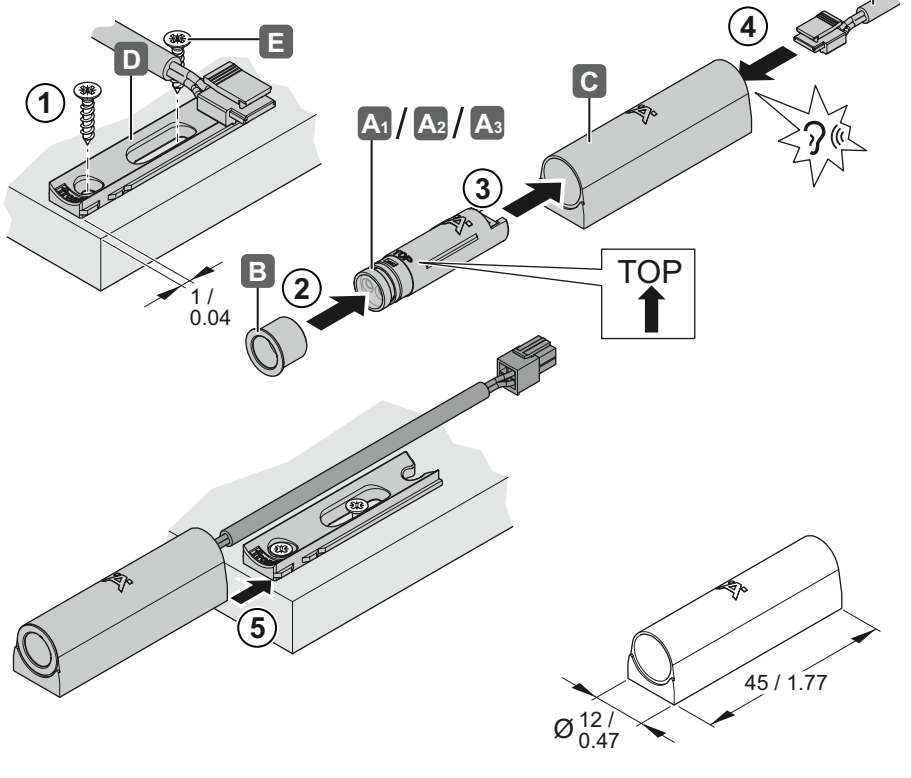
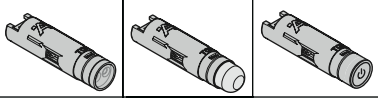
B

732.28.475

[WS205]

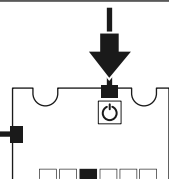
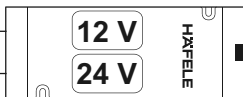
HDE 17.10.2024

2b



732.28.475

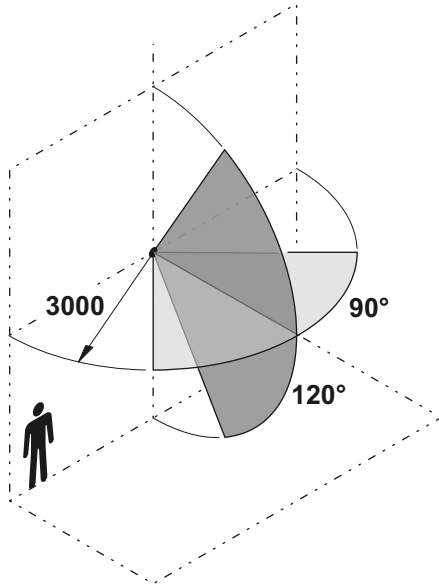
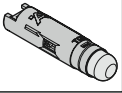
3



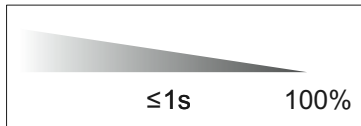
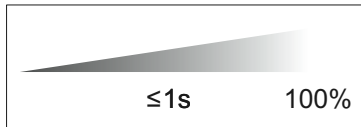
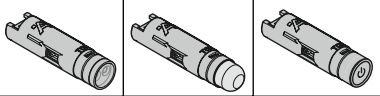
[WS205]

HDE 17.10.2024

i



732.28.475



[WS205]