

# Sensor switches

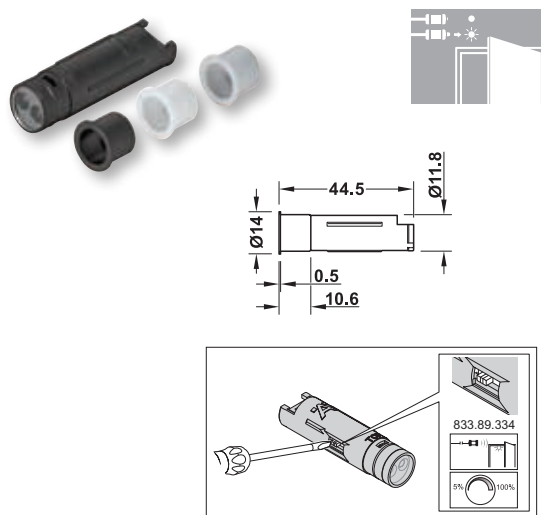
Loox modular switches, for snap-in connection



Furniture Lighting: Lighting Control



Häfele Loox adjustable sensor switch, modular – soft on/off switching



- > Area of application: Function as dimmer sensor switch or door sensor switch can be changed via integrated microswitch  
Can be set up as a dimmer sensor switch or door sensor switch
- > Version: Adjustable as dimmer sensor switch (50-100%) or as door sensor switch (dimming value remains stored)
- > Switching function: Soft on/off, touchless door open = light on, door closed = light off
- > Material/colour: Plastic, black
- > Degree of protection: IP20
- > Memory function: Yes
- > Sensor range: 0–75 mm
- > Power consumption: ≤0.3 W
- > Drill hole Ø: 12 mm
- > Mounting: For drilling in or for inserting into housing
- > Supplied with: 1 sensor switch, adjustable  
3 cover sleeves (white, grey, black)

	<b>Cat. No.</b>
Adjustable sensor switch	<b>833.89.334</b>

**!** Installation reference: Coloured cover sleeve can be used for drill hole in furniture and for housing

**+** Please order lead with snap-in connector for modular switches to Loox driver separately. Cat. No. 833.89.142 see page ► 1.155

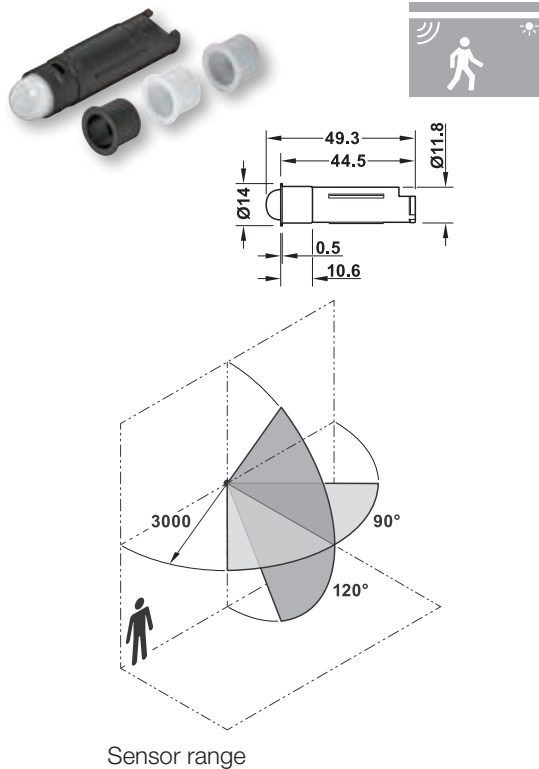
LIGHTING & ELECTRICAL 2025, © Häfele U.K. Ltd 2025. Dimensional data not binding. We reserve the right to alter specifications without notice.



# Sensor switches

Loox modular switches, for snap-in connection

## Häfele Loox adjustable motion detector, modular – automatic on/off switching



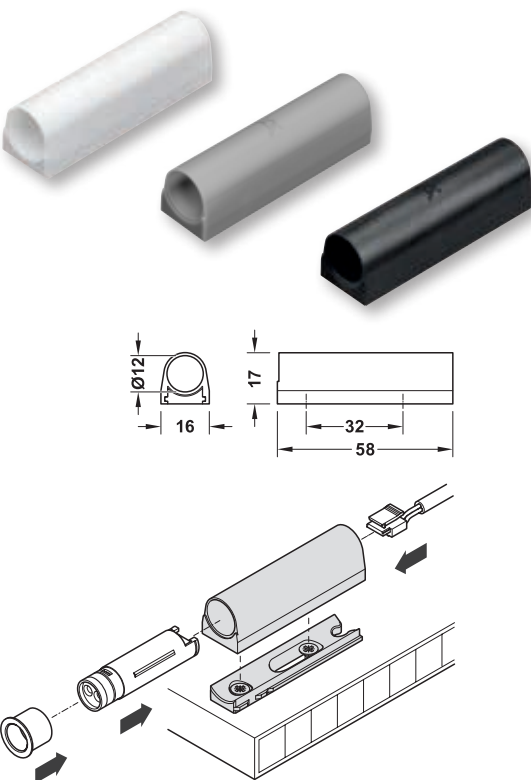
- > Version: Adjustable delay time and overrun time via integrated micro switch
- > Switching function: Soft on/off, automatically
- > Material/colour: Plastic, black
- > Degree of protection: IP20
- > Memory function: No
- > Sensor range: 0–3000 mm
- > Sensor angle: Horizontal: 90°  
Vertical: 120°
- > Power consumption: ≤0.1 W
- > Drill hole Ø: 12 mm
- > Mounting: For drilling in or for inserting into housing
- > Supplied with: 1 motion detector, adjustable  
3 cover sleeves (white, grey, black)

Minimum delay time	Cat. No.
0.5/1/3 minutes	<b>833.89.333</b>
5/15/30 minutes	<b>833.89.335</b>

! Installation reference: Coloured cover sleeve can be used for drill hole in furniture and for housing

+ Please order lead with snap-in connector for modular switches to Loox driver separately. Cat. No. 833.89.142 see page ► 1.155

## Housing for Häfele Loox switch, for surface mounting



- > Application: Suitable for Ø 12 mm switch, also for adjustable sensors with cover sleeve  
Suitable for 32 mm intervals
- > Version: Suitable for 32 mm intervals
- > Material: Plastic
- > Supplied with: 1 housing
- > Mounting: For screw fixing, for adhesive fixing

Colour	Cat. No.
White	<b>833.89.330</b>
Silver coloured	<b>833.89.331</b>
Black	<b>833.89.332</b>

! Installation reference: Screw fastening plate into place. Slide on housing

LIGHTING & ELECTRICAL 2025. © Häfele U.K. Ltd 2025. Dimensional data not binding. We reserve the right to alter specifications without notice.

Furniture Lighting: Lighting Control