



A Type RCD Data Sheet

Description and Features

The W brand WAR range RCDs is a sensitive current breaker designed to protect the user and their property from electric shock and potential fires by breaking the current as it passes through your consumer unit in the event of a detected imbalance or disruption to current path

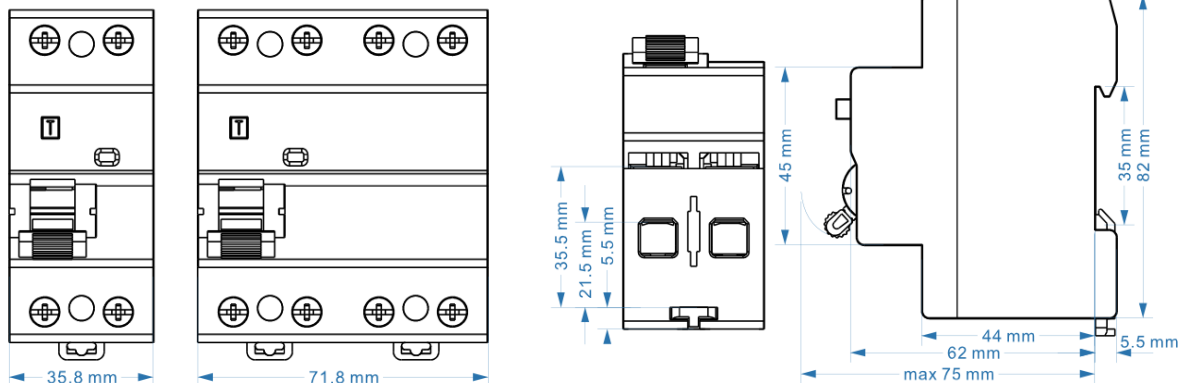
Part Code	Description
WAR225-030	2 Pole 25A 30mA Type A high immunity RCD
WAR240-030	2 Pole 40A 30mA Type A high immunity RCD
WAR263-030	2 Pole 63A 30mA Type A high immunity RCD
WAR280-030	2 Pole 80A 30mA Type A high immunity RCD
WAR2100-030	2 Pole 100A 30mA Type A high immunity RCD
WAR280-100	2 Pole 80A 100mA Type A high immunity RCD
WAR2100-100	2 Pole 100A 100mA Type A high immunity RCD
WAR425-030	4 Pole 25A 30mA Type A high immunity RCD
WAR440-030	4 Pole 40A 30mA Type A high immunity RCD
WAR463-030	4 Pole 63A 30mA Type A high immunity RCD
WAR480-030	4 Pole 80A 30mA Type A high immunity RCD
WAR4100-030	4 Pole 100A 30mA Type A high immunity RCD
WAR480-100	4 Pole 80A 100mA Type A high immunity RCD
WAR4100-100	4 Pole 100A 100mA Type A high immunity RCD

Type A 

0.5 I Δ n RCD will not trip

I Δ n RCD must trip within 300ms


5 I Δ n RCD must trip within 40ms



Standardised values of operating time

Type	IN A	I Δ N A	Standard values of break time and non-actuating time at a residual current equal to						
			I Δ N	2I Δ N	5I Δ N	5I Δ N or 0.25A	5A-200A, 500A	I Δ t	
General	Any Value	<0.03	0.3	0.15	-	0.04	0.04	0.04	Max. Break Times
		0.03	0.3	0.15	-	0.04	0.04	0.04	
		>0.03	0.3	0.15	0.04	-	-	0.04	

Technical Data

WAR A Type RCD		
	Standard	IEC61008-1 , BS EN61008-1
Electrical features	Rated current I _n (A)	25, 40, 63, 80, 100
	Type	Electromagnetic
	Type (wave form of the earth leakage sensed)	A type
	Poles	2 Pole, 4 pole
	Rated voltage U _e (V)	230(2P) / 400(4P)
	Rated sensitivity I _{Δn}	Available in 30mA, 100mA ,300mA
	Insulation voltage U _i (V)	500
	Rated residual making and breaking capacity I _{Δm} (A)	500 (I _n =25A/40A), 630 (I _n =63A)
	Rated frequency	1000(I _n =80A/100A) 50/60Hz
	Rated breaking capacity	6kA
	SCPD fuse	 10000
	Break time under I _{Δn}	≤ 0.1s
	Rated impulse withstand voltage(1.2/50) U _{imp} (V)	6000
	Dielectric test voltage at ind. Freq. for 1 min	2.5kV
	Pollution degree	2
Mechanical features	Electrical life	2000
	Mechanical life	2000
	Contact position indicator	Yes
	Protection degree	IP20
	Reference temperature for setting of thermal element(C)	30
	Ambient temperature (with daily average ≤35 C)	-5...+40
	Storage temperature (C)	-25...+70
Installation	Terminal connection type	Cable/U-type busbar/Pin-type busbar
	Terminal size top/bottom for cable	25/35mm ² , 18-3/18-2 AWG
	Terminal size top/bottom for Busbar	10/16mm ² ,18-8 /18-5AWG
	Tightening torque	2.5 N*m / 22 In-lbs.
	Mounting	On DIN rail EN 60715 (35mm)
	Connection	From top or bottom