



22

DOMESTIC & E.V CATALOGUE



Unit 9 Dale street
Radcliffe
Manchester
M26 1AD



sales@wced.co.uk
www.wced.co.uk
0161 723 1451



ABOUT US

Our staff have been in the electrical industry for over 20 years and have a great deal of experience bringing to market the right products at the right price.

We are therefore happy to bring wced to you. the best electrical products at the best prices, along with amazing customer service.



OUR PLEDGE TO YOU

We are a trustworthy, reliable and affordable electrical distributor where customer service is the top priority. The team at wced have all the electrical components and supplies you'll need at a great price.

Our customer service won't be beaten and we're always ready to assist you in finding the right equipment for any installation.

At wced, we combine the expertise and the specialism of a large electrical distributor with the customer service and caring nature of a local electrical store.

We'll be on hand every step of the way to give you the support you deserve, no matter what project you're looking to complete. You can be sure that you'll only be buying the highest quality components.

So, whether you're looking for a couple of MCBs or RCBOs, or you need larger equipment such as a Three Phase Board, our electrical distributor team will do their best to find you the exact specification of product you need at a cost that won't disappoint you. Get in touch now for more information with no obligation.



CONTENTS

- 1 Main switch metal enclosures
- 2 Surge protected metal enclosures
- 3 Twin RCD metal enclosures
- 4 Metal garage units
- 5 Plastic meter isolation
- 6 Metal meter isolation
- 7 Twin screw main switch
- 8 6kA MCB's
- 9 A-Type mini RCBO
- 11 Arc fault detection device
- 12 RCD
- 13 Main Switch
- 14 WME Main Switch
- 15 Surge Protection Device
- 16 Metal Surge arrestor unit
- 17 WEC Main switch & surge
- 18 Metal Switch fuse
- 19 Fused main switch
- 20 Single Module 2 pole RCBO
- 21 4 pole Type-A RCBO
- 22 Busbar & metal blanks



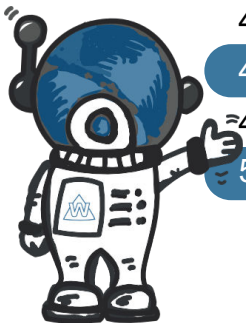


CONTENTS

- 25 Mini metal enclosures
- 26 A-Type RCBO
- 27 Type-A RCD's
- 28 B-Type RCD
- 29 WKB 10kA MCB's
- 31 WKN 2 pole single Module MCB's
- 32 4+5 pole MCB + Shunt trip
- 33 Modular Contactors
- 35 A-Type time delay RCD
- 36 A-Type E.V RCBO enclosure
- 37 A-Type E.V RCBO enclosure + surge
- 38 WEV Electric vehicle kit
- 39 Plastic weatherproof E.V Kits
- 40 A-Type E.V RCBO enclosure + surge (weatherproof)
- 41 E.V connection unit
- 42 E.V connection unit + Surge
- 43 IP65 connection unit + surge

WEATHERPROOF

- 45 Plastic enclosures
- 46 Plastic garage units
- 47 Weatherproof sockets & spur units
- 48 20A Weatherproof switches
- 49 Meter Isolation Range
- 50 Terms & Conditions



MAIN SWITCH METAL ENCLOSURES

WCED metal consumer units are finished in white polyester powder coating. Multiple circular cable entry knock-outs (25 & 32mm) on top and bottom, 40mm on the sides and back plus larger rear slots.

Raised key holes for secure easy installation. Raised din rail improves cable routing. Supplied with neutral and earth terminal bars, neutral cable and pin style bus bar.



Part No	Description	W	H	D
WME04/MS100	4 mod 2 usable way CU with 100 M/S	130	240	112
WME06/MS100	6 mod 4 usable way CU with 100 M/S	160	240	112
WME08/MS100	8 mod 6 usable way CU with 100 M/S	232	240	112
WME10/MS100	10 mod 8 usable way CU with 100 M/S	232	240	112
WME14/MS100	14 mod 12 usable way CU with 100 M/S	304	240	112
WME16/MS100	16 mod 14 usable way CU with 100 M/S	376	240	112
WME18/MS100	18 mod 16 usable way CU with 100 M/S	376	240	112
WME22/MS100	22 mod 20 usable way CU with 100 M/S	448	240	112

SURGE PROTECTED METAL ENCLOSURES



Part No	Description	W	H	D
Surge Protected Boards				
WME06/SP	6 mod 2 usable way unit with 100A M/S + SPD	130	240	112
WME08/SP	8 mod 4 usable way unit with 100A M/S + SPD	160	240	112
WME10/SP	10 mod 6 usable way unit with 100A M/S + SPD	232	240	112
WME12/SP	12 mod 8 usable way unit with 100A M/S + SPD	232	240	112
WME14/SP	14 mod 10 usable way unit with 100A M/S + SPD	304	240	112
WME16/SP	16 mod 12 usable way unit with 100A M/S + SPD	376	240	112
WME18/SP	18 mod 14 usable way unit with 100A M/S + SPD	376	240	112
WME22/SP	22 mod 18 usable way unit with 100A M/S + SPD	448	240	112

TWIN RCD METAL ENCLOSURES

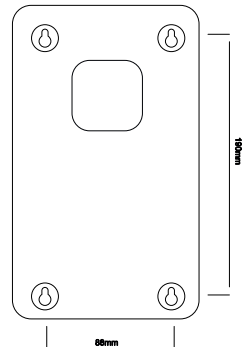
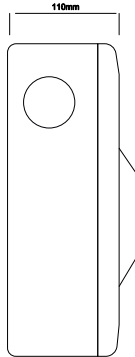
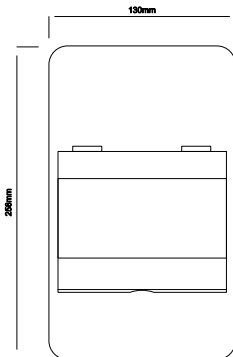


Part No	Description	W	H	D
Twin RCD Boards				
WME1463TR	14 mod 8 usable way split load board c/w 100A M/S, 2x 63A RCD	304	240	112
WME1663TR	16 mod 10 usable way split load board c/w 100A M/S, 2x 63A RCD	376	240	112
WME18100TR	18 mod 12 usable way split load board c/w 100A M/S, 2x 100A RCD	376	240	112
WME18100TR/SPD	18 mod 10 usable way split load board c/w 100A M/S, 2x 100A RCD + SPD	376	240	112
WME1880TR	18 mod 12 usable way split load board c/w 100A M/S, 2x 80A RCD	376	240	112
WME1880TR/SPD	18 mod 10 usable way split load board c/w 100A M/S, 2x 80A RCD + SPD	376	240	112
WME22100TR	22 mod 16 usable way split load board c/w 100A M/S, 2x 100A RCD	448	240	112
WME22100TR/SPD	22 mod 14 usable way split load board c/w 100A M/S, 2x 100A RCD + SPD	448	240	112
WME2280TR	22 mod 16 usable way split load board c/w 100A M/S, 2x 80A RCD	448	240	112
WME2280TR/SPD	22 mod 14 usable way split load board c/w 100A M/S, 2x 80A RCD + SPD	448	240	112

METAL GARAGE UNITS

Meets the needs of the 18th Edition wiring regs, all metal construction with drop down lid. Internal Earth/Neutral bars included. Complies with all relevant EN Standards

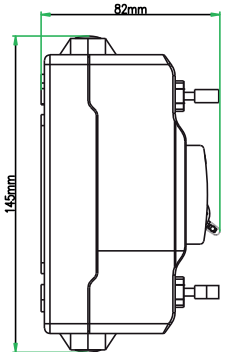
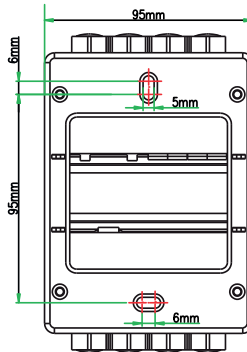
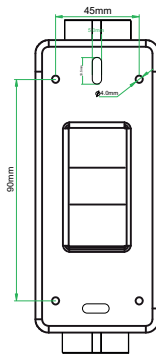
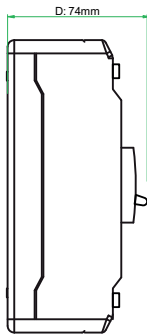
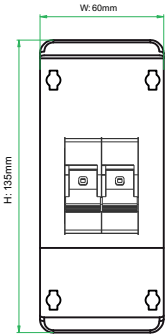
Part No	Description
WMGU04/616	63A RCD 6A/16A B MCB
WMGU04/620	63A RCD 6A/20A B MCB
WMGU04/632	63A RCD 6A/32A B MCB
WMMS/616	100A Main switch 6A/16A B MCB
WMMS/620	100A Main switch 6A/20A B MCB
WMMS/632	100A Main switch 6A/32A B MCB



PLASTIC METER ISOLATION

WEC Isolators are becoming a required part of a domestic supply arrangement. Often specified by the supply authority as a mandatory part of the installation, they are becoming standard in the electrical contractors design.

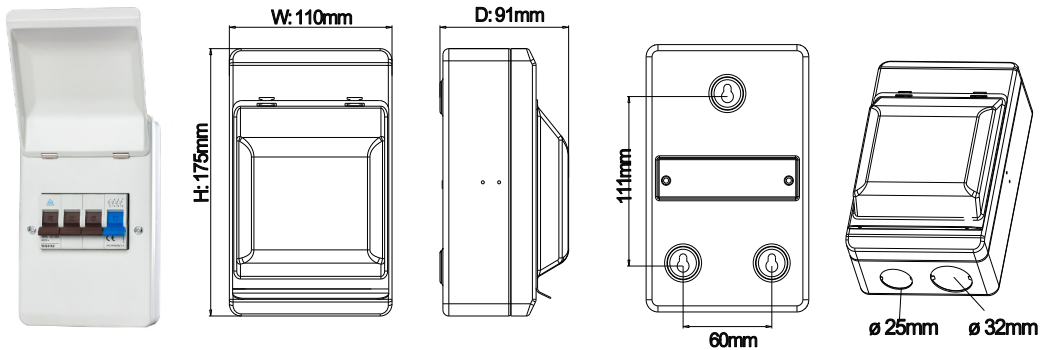
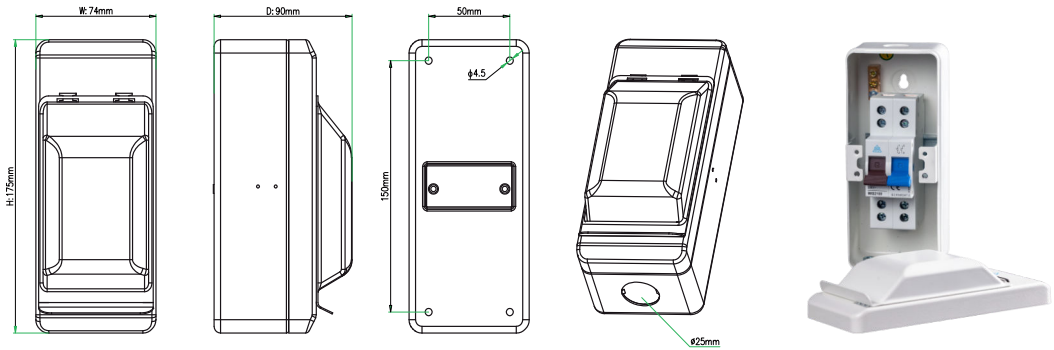
Part No	Description	W	H	D
WEC2	2 module m/s/RCD enclosure	60	135	174
WEC4	4 module m/s/RCD enclosure	95	145	82
WEC2100	2 module enclosure & 100A 2P 2 Screw terminal main switch	60	135	174
WEC44100	4 module enclosure & 100A 4P 2 Screw terminal main switch	95	82	



METAL METER ISOLATION

MEC Isolators are becoming a required part of a domestic supply arrangement. Often specified by the supply authority as a mandatory part of the installation, they are becoming standard in the electrical contractors design.

Part No	Description	W	H	D
MEC2100	2 module metal enclosure & 100A 2P 2 screw terminal m/s	74	175	90
WME44100	4 module metal enclosure & 100A 4P m/s	110	175	90

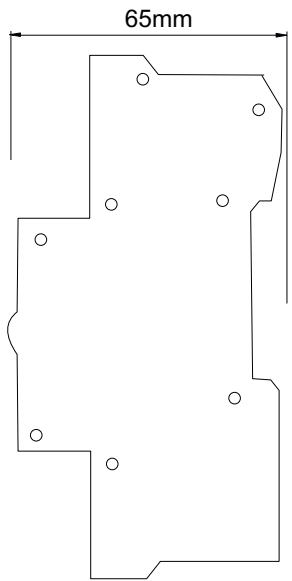
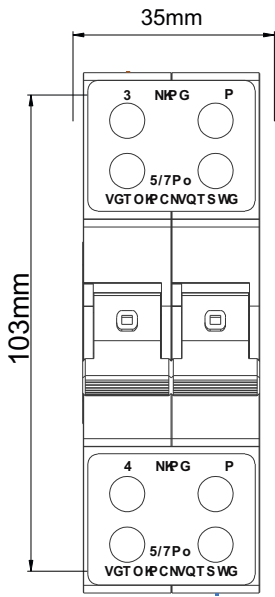


TWIN SCREW MAIN SWITCH

- 100A Rated
- 230V 2P/400V 4P
- Twin Screw Terminal for secure connection
- Colour coded Handle



Part No	Description	W	H	D
WIS2100	100A 2P 2 screw terminal m/s	35	103	65
WIS4100	100A 4P 2 screw terminal m/s	70	103	65

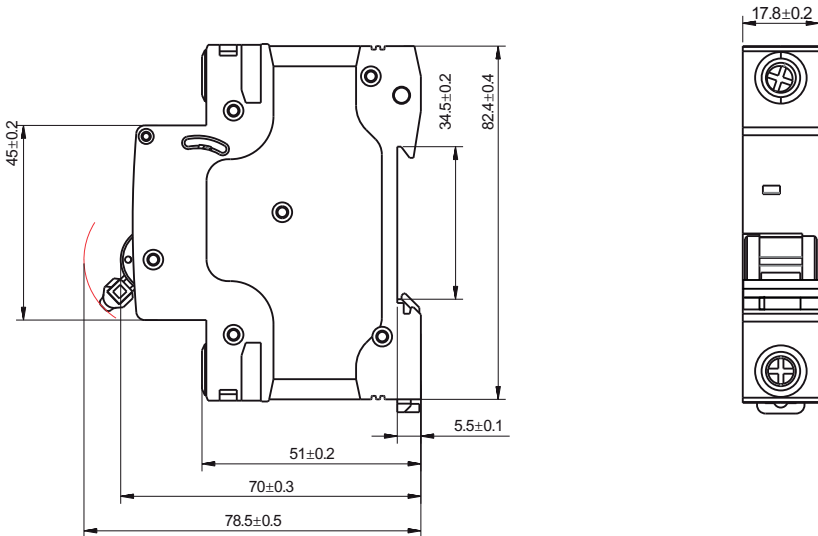


6KA MCB'S

- Rated current I_n (A): 6, 10, 16, 20, 25, 32, 40, 50, 63
- Poles: 1P
- Rated voltage U_e (AC): 230/400V
- Rated frequency: 50/60Hz
- Insulation voltage U_i : 500V
- Rated breaking capacity(A): 6KA
- Rated impulse withstand voltage (1.2/50) U_{imp} (V): 4000
- Dielectric test voltage at ind. Frq for 1 min (KV): 2
- Thermo- magnetic release characteristic: B,C,D
- Electrical life: 8000
- Mechanical life: 20,000
- Contact position degree: IP20
- Reference temperature for setting of thermal element (C): 30
- Ambient temperature (with daily average <35 C : 5~+40)
- Storage temperature (C) : -25~+70



Part No	Description	W	H	D
WMC1**B	6-63A 1 pole B curve MCB 6KA	17.8	82.4	78.5
WMC1**C	6-63A 1 pole C curve MCB 6KA	17.8	82.4	78.5



A-TYPE MINI RCBO'S

Our WRB range of RCBO with A&AC Type RCD protection in one. RCBO's provide residual and overload protection in one neat device. They can detect & respond as for type AC, PLUS pulsating DC components. Ideal for Domestic and Commercial applications.

Switched Live and Neutral

The WRB Range RCBOs with switched neutral built in as standard will fully isolate a faulty or damaged circuit by disconnecting live and neutral conductors.

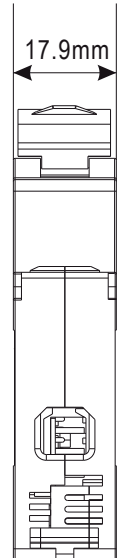
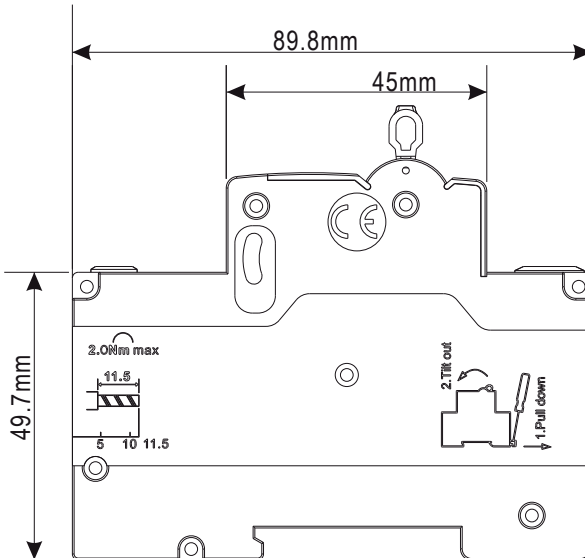
They offer the most comprehensive circuit protection available.

Using the WRB range RCBO's will guarantee that healthy circuits remain in service and that only a faulty circuit is switched off. This avoids danger and prevents inconvenience in the event of a fault.

They have switched neutral built-in as standard, live and neutral conductors do not have to be disconnected for insulation resistance testing. This saves time and money.



Part No	Description
WRB106B-030	A-Type Single Module 6Amp B Curve 30mA High Immunity RCBO
WRB110B-030	A-Type Single Module 10Amp B Curve 30mA High Immunity RCBO
WRB116B-030	A-Type Single Module 16Amp B Curve 30mA High Immunity RCBO
WRB120B-030	A-Type Single Module 20Amp B Curve 30mA High Immunity RCBO
WRB132B-030	A-Type Single Module 32Amp B Curve 30mA High Immunity RCBO
WRB140B-030	A-Type Single Module 40Amp B Curve 30mA High Immunity RCBO
WRB106C-030	A-Type Single Module 6Amp C Curve 30mA High Immunity RCBO
WRB110C-030	A-Type Single Module 10Amp C Curve 30mA High Immunity RCBO
WRB116C-030	A-Type Single Module 16Amp C Curve 30mA High Immunity RCBO
WRB120C-030	A-Type Single Module 20Amp C Curve 30mA High Immunity RCBO
WRB132C-030	A-Type Single Module 32Amp C Curve 30mA High Immunity RCBO
WRB140C-030	A-Type Single Module 40Amp C Curve 30mA High Immunity RCBO



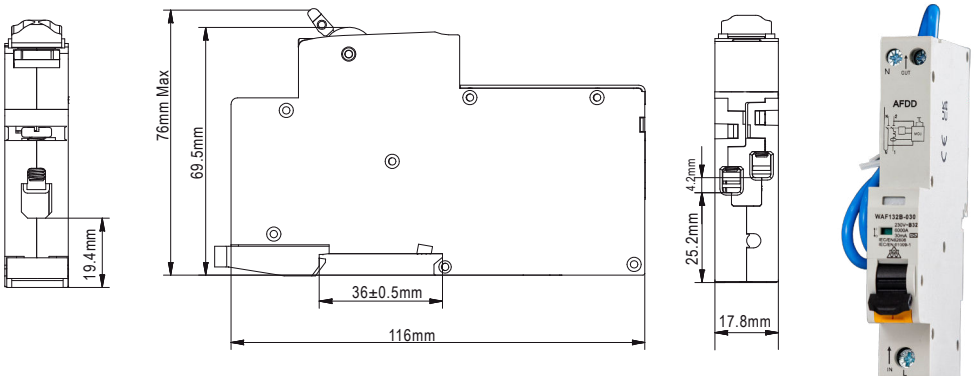
ARC FAULT DETECTION DEVICE (AFDD)

The WCED brand WAF range AFDD consists of Type A RCBO and a Arc fault detection module, in a single module DIN rail mounted unit. They combine short circuit, overload, earth leakage protection and arc fault protection and will disconnect Live and Neutral poles in the event of these faults. It could avoid fires caused by short circuit, circuit ageing, heavy load, poor contact, fault electrical devices etc. Automatic control is realised by a built-in computer chip. Its operating principle: the detected arc impulse is processed, compared and identified by electronic circuit and MCU, once fault arc impulse which easily creates fire is detected, the output will drive tripping unit to cut off the load power supply, so that the fire is prevented.

Protective Area

The WAF range AFDD's combines AFDD MCB and A-Type RCD devices. They can detect & respond as for type AC, PLUS pulsating DC components. This allows to provide the highest protection level. Ideal for domestic and commercial applications.

Part No	Description
WAF106B-030	A Type Single module 6A B Curve 30mA Arc Fault Detection Device
WAF110B-030	A Type Single module 10A B Curve 30mA Arc Fault Detection Device
WAF116B-030	A Type Single module 16A B Curve 30mA Arc Fault Detection Device
WAF120B-030	A Type Single module 20A B Curve 30mA Arc Fault Detection Device
WAF132B-030	A Type Single module 32A B Curve 30mA Arc Fault Detection Device
WAF140B-030	A Type Single module 40A B Curve 30mA Arc Fault Detection Device



RCD'S

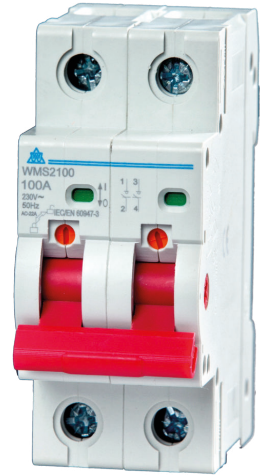
- Pole No: 2, 4
- Rated current(A): 25 40 63 80 100A
- Rated voltage 240/415V AC
- Rated frequency: 50/60Hz
- Rated residual operating current In(mA): 30, 100, 300
- Rated residual non operating current: 0.51n
- Rated conditional breaking current Inc: 6000A
- Rated conditional residual breaking current Ic: 6000A
- Tripping duration instantaneous tripping <0.1s
- Residual tripping current range: 0.5I n~In
- Electro-mechanical endurance:4000 cycles
- Connection capacity Rigid conductor up to 25mm
- Connection terminal screw terminal
- Pillar terminal with clamp
- Fastening torque 2.0 Nm
- Installation: On symmetrical DIN rail 35mm
- Panel mounting



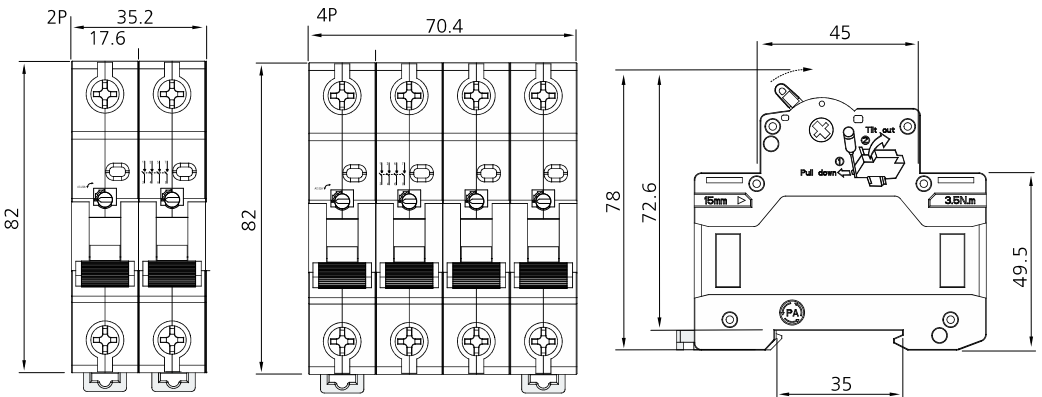
Part No	Description	W	H	D
WRC225-030	25A 30ma 2 pole RCD	36	82	70
WRC240-030	40A 30ma 2 pole RCD	36	82	70
WRC263-030	63A 30ma 2 pole RCD	36	82	70
WRC280-030	80A 30ma 2 pole RCD	36	82	70
WRC2100-030	100A 30ma 2 pole RCD	36	82	70

MAIN SWITCHES

- 100A rated current
- 230/400 rated voltage
- 10000 cycles electrical life
- 10000 operations mechanical life
- BS EN60947-3 Compliant
- Forked and Pin busbar connections



Part No	Description	W	H	D
WMS2100	2 pole 100A main switch	35	82	70
WMS4100	4 pole 100A main switch	35	82	70

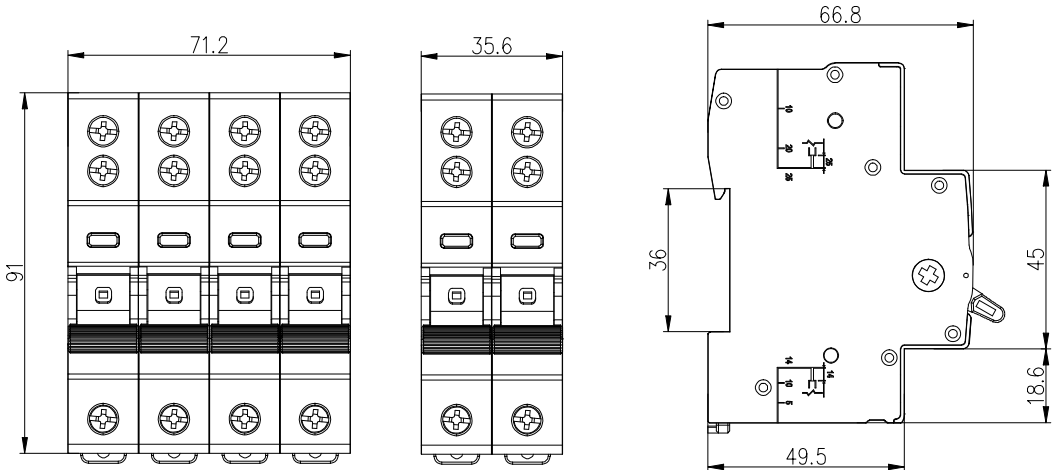


WME - MAIN SWITCH

- 100A rated current
- 230/400 rated voltage
- 10000 cycles electrical life
- 10000 operations mechanical life
- BS EN60947-3 Compliant
- Twin screw incoming terminals
- Forked and pin busbar connection



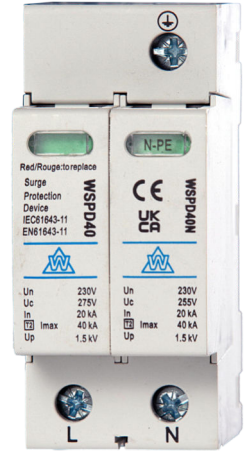
Part No	Description	W	H	D
WME2100	2 pole 100A main switch	356	92	65



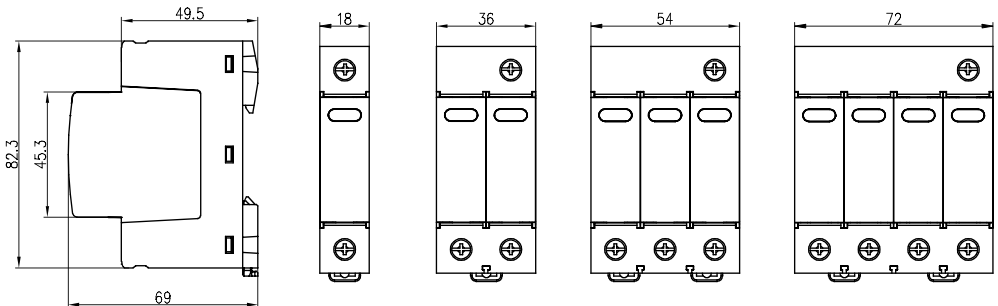
SURGE PROTECTION DEVICE

These units give protection against Power Surges and Lightning strikes which can damage sensitive electronic equipment.

2 Pole, 40KA, Type 2.



Part No	Description	W	H	D
WSPD140	1P 20KA/40KA Type 2 Surge Device	18	90	65
WSPD240	2P 20KA/40KA Type 2 Surge Device	36	90	65
WSPD340	3P 20KA/40KA Type 2 Surge Device	54	90	65
WSPD440	3P+N 20KA/40KA Type 2 Surge Device	72	90	65



IP40 METAL SURGE ARRESTOR UNIT

This unit can be installed to update an installation to the latest 18th edition regs with regards to surge protection. It is installed between the meter and existing consumer unit.

4 module enclosure fitted with 100A main switch and 2P 40KA type 2 surge arrester.

Part No	Description	W	H	D
WME440SP	100A main switch + 40KA surge arrester	110	175	91
WMCU440SP	100A main switch + 40KA surge arrester	130	258	110



WEC MAIN SWITCH AND SURGE

Comprising of: 3 part seal and secure enclosure with 2 pole 100A Main Switch and Integral Surge Protection Device SPD240

Manual control of all kinds of electrical devices.

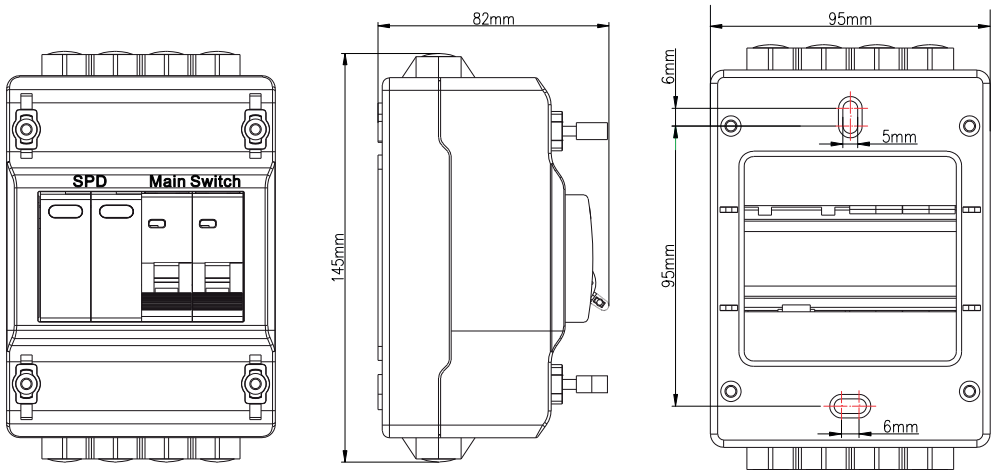
Applications:

Suitable for resistive and moderately inductive loads eg: switching of lighting and heating control boards in homes, shops, offices, warehouses, factories, hospitals, etc.

All switches are lockable through padlock or by means of a lock.



Part No	Description	W	H	D
WEC440SP	100A Main switch & 40KA Surge	95	145	82
WEC440T2	4 module mini plastic enclosure with main switch and surge protection + MCB	95	145	82



METAL SWITCH FUSE

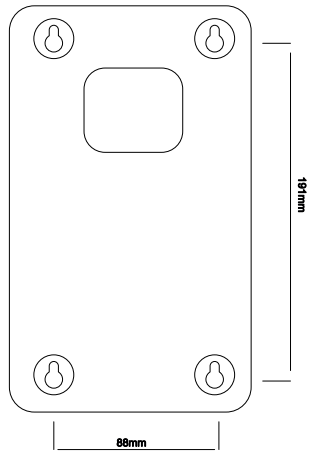
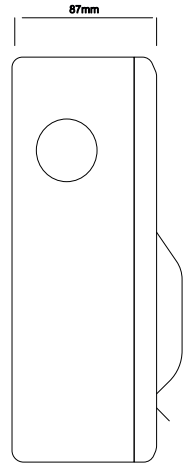
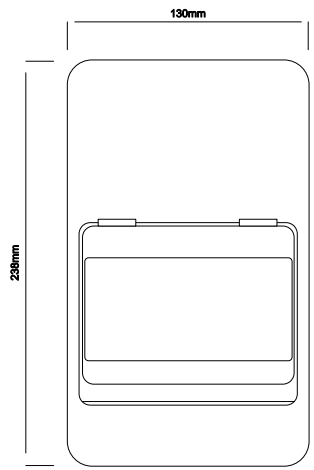
Four way switch fuse with a twin-pole 100A incomer and 22x58 fuse holder

WFMS100

Also available WFMS100/3F includes 63A, 80A and 100A fuses



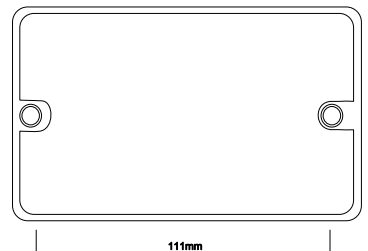
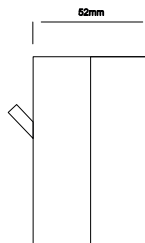
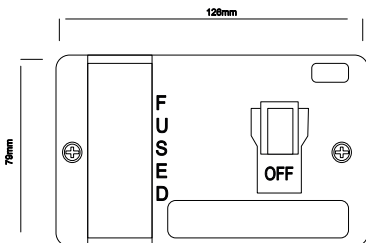
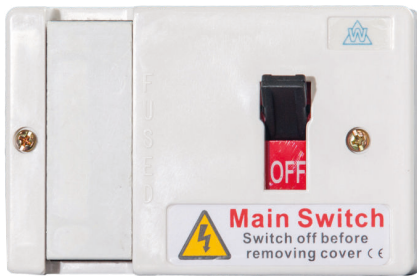
Part No	Description
WFMS100	Metal switch fuse 100A Main switch 22x58 fuse holder
WFMS100/3F	Metal switch fuse 100A Main switch 22x58 fuse holder. C/w 63/80/100A fuses.



FUSED MAIN SWITCH

- Non combustible Bakelite material
- Supplied with cable shroud
- 80A & 100A Fuses-General purpose
- Can accommodate max cable 35x35mm
- Can only be removed in OFF position
- 100A/AC21
- Protection/isolation incoming supplies 100A
- Manufactured to BS EN 60497-3

Part No	Description	W	H	D
WFIS100	Fused main switch 80/100A fuses and shroud	52	79	126



SINGLE MODULE 2 POLE RCBO

Our WRN range of RCBO with A-Type RCD protection in one single module 2 pole RCBO. Provide's residual and overload protection in one neat device. It can detect & respond to AC, PLUS pulsating DC components. Ideal for Domestic and Commercial applications.

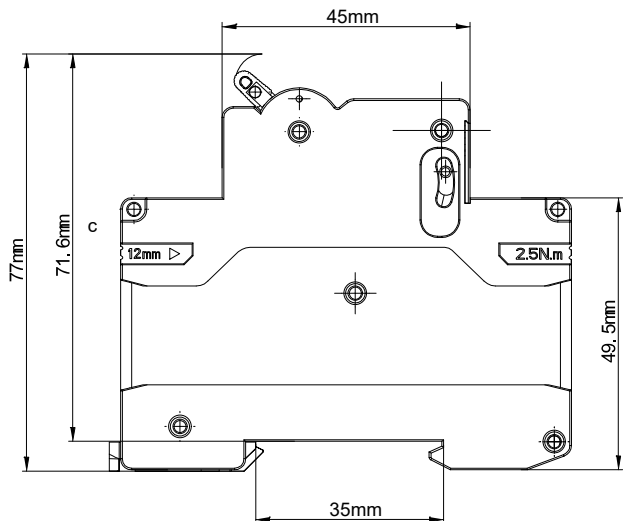
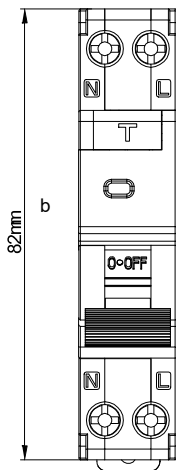
Switched Live and Neutral

The WRN Range RCBOs with switched neutral built in as standard will fully isolate a faulty or damaged circuit by disconnecting live and neutral conductors.

They offer the most comprehensive circuit protection available. Using the WRN range RCBO's will guarantee that healthy circuits remain in service and that only a faulty circuit is switched off. This avoids danger and prevents inconvenience in the event of a fault.



Part No	Description
WRN**C-030	6-40A C curve 2P 1 mod RCBO
WRN**B-030	6-40A B curve 2P 1 mod RCBO



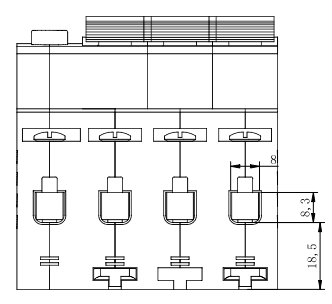
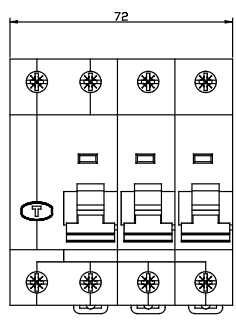
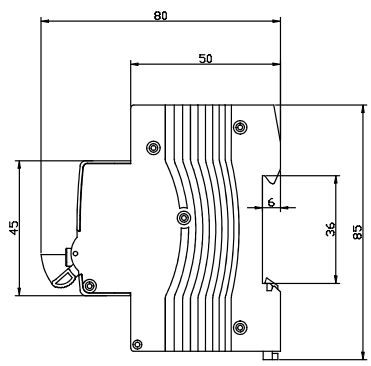
4 POLE TYPE-A RCBO

The ADR range from WCED with A-type RCD protection in one. RCBO's provide residual and overload protection in one neat device. They can detect & respond as for type AC, PLUS pulsating DC components. Ideal for Electric vehicles, domestic and commercial applications.

The ADR Range RCBOs with switched neutral built in as standard will fully isolate a faulty or damaged circuit by disconnecting live and neutral conductors.

They offer the most comprehensive circuit protection available. Using the WER range rcbos will guarantee that healthy circuits remain in service and that only a faulty circuit is switched off. This avoids danger and prevents inconvenience in the event of a fault.

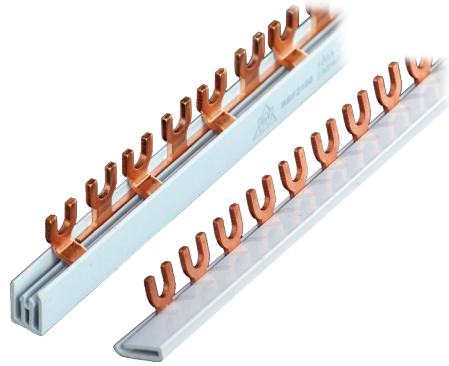
They have switched neutral built in as standard, live and neutral conductors do not have to be disconnected for insulation resistance testing. This saves time and money.



Part No	Description
ADR416C-030	16A C curve 4 pole Type-A RCBO 30mA
ADR432C-030	32A C curve 4 pole Type-A RCBO 30mA
ADR440C-030	40A C curve 4 pole Type-A RCBO 30mA

BUSBAR

2 and 3 pin busbar in 1 meter lengths 100A Rated.



Part No	Description
BB2	2 pin Busbar
BB3	3 pin Busbar
BBC5	Busbar pin cover
BBF1100	1P 100A Busbar Forked Type
BBF2100	2 P 100A Busbar Forked Type
BBF218	2 Pole 100A Forked Busbar 18 MOD
BBP2100	2P 100A Busbar Pin Type

BLANKS

Metal Blanking Pieces, suitable for all WCED metal enclosures,

Used for blanking of individual modules.



Part No	Description
MEBLANK	Metal Blanking Piece
MEBLANK10	Metal Blanking Piece pack of 10
MEBLANK50	Metal Blanking Piece pack of 50
MEBLANK100	Metal Blanking Piece pack of 100
MCBBLANK	Plastic MCB Blank





E.V CHARGING



MINI METAL ENCLOSURES

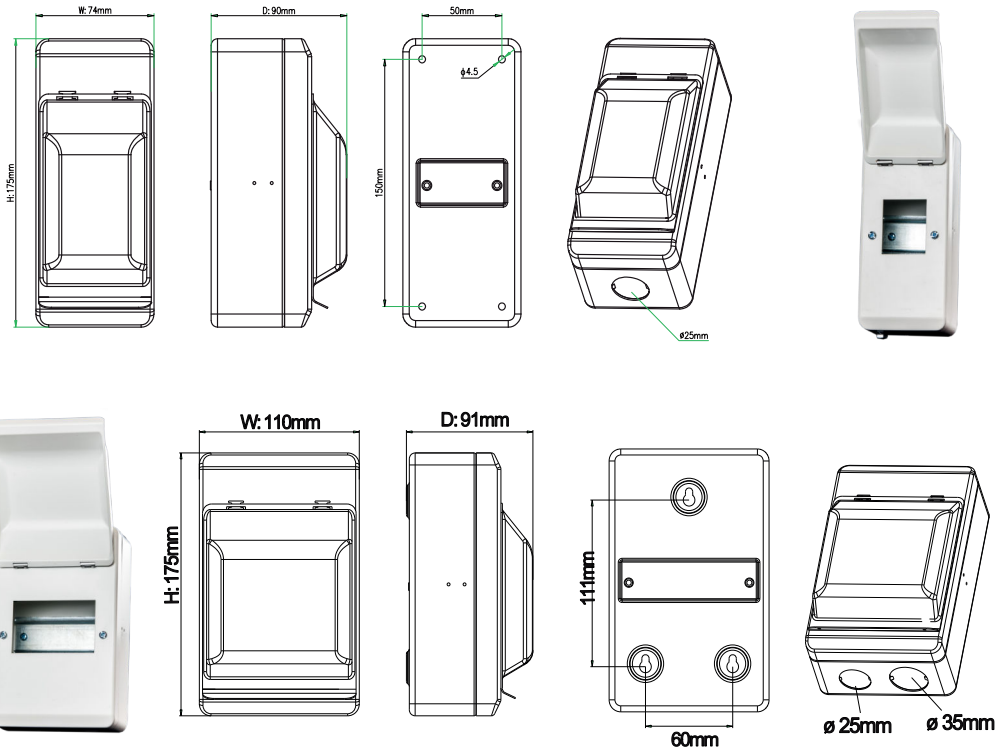
Fully enclosed metal construction body with drop down metal lid, 25/32mm circular cable entry knock-outs
 On the top and bottom. Raised key holes for secure easy installation.
 Modern style finish in polyester powder coating, complete with din rail and earth terminal bar.
 Ideal for installing EV circuit protection in compact spaces.

230V/400V~ IP 40 rated.

Recommended torque: 2.0Nm for earth terminal bar

Complies with BS EN 61439-3

Part No	Description	W	H	D
WME2L/25	2 way metal enclosure with lid	74	175	90
WME3L/32	3 way metal enclosure with lid	110	175	91
WME4L/32	4 way metal enclosure with lid	110	175	91
WME5L/32	5 way metal enclosure with lid	110	175	91



A-TYPE RCBO

The WER range from WCED with A & AC type RCD protection in one. RCBO's provide residual and overload protection in one neat device. They can detect & respond as for type AC, PLUS pulsating DC components. Ideal for Electric vehicles, domestic and commercial applications.

The WER Range RCBOs with switched neutral built in as standard will fully isolate a faulty or damaged circuit by disconnecting live and neutral conductors.

They offer the most comprehensive circuit protection available.

Using the WER range rcbos will guarantee that healthy circuits remain in service and that only a faulty circuit is switched off.

This avoids danger and prevents inconvenience in the event of a fault.

They have switched neutral built in as standard, live and neutral conductors do not have to be disconnected for insulation resistance testing. This saves time and money.

Twin handle system, black handle controls MCB function, white handle controls RCD function.

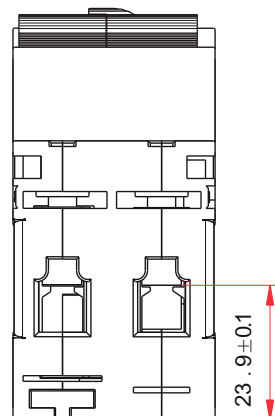
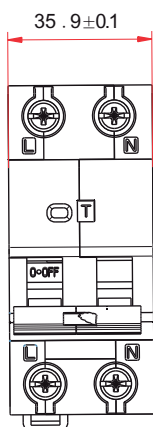
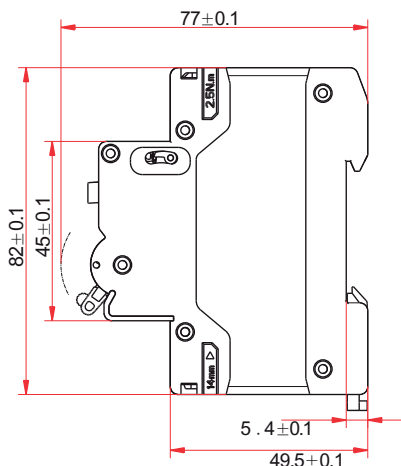
If only the black handle trips off, it indicates overload or short circuit.

If both white and black handles trip, it will indicate residual current fault.

This will assist electrician to solve the electrical fault quickly, saving time and money.



Part No	Description
WER***-030	Type A 6-40Amps C/B curve 30mA high immunity RCBO

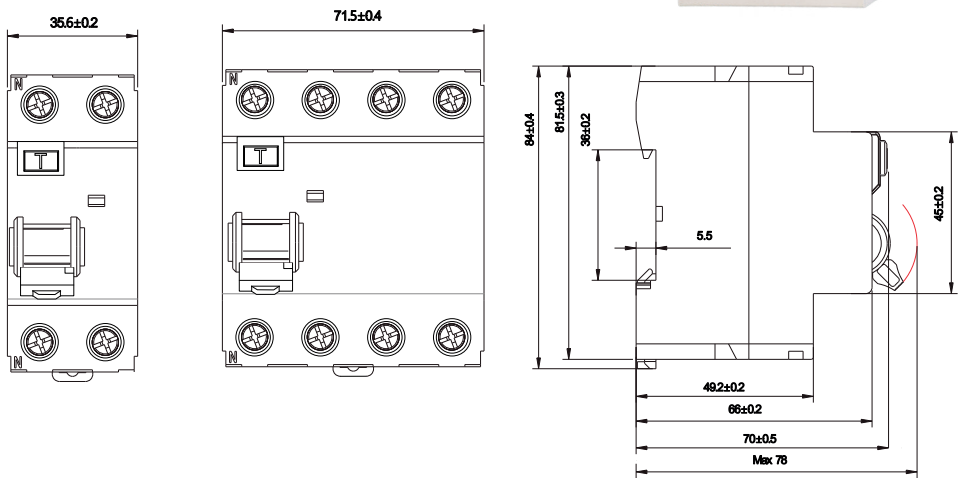


TYPE-A RCD'S

The WCED brand Type A RCDs detect and respond to sinusoidal residual AC currents and residual pulsating currents up to 6mA

Technical Data

- Mode: electro-magnetic
- Residual current characteristics: A
- Rated operational voltage: 230/400V
- 50Hz Earth-leakage sensitivity: 100 mA
- Rated conditional short-circuit current: 6kA
- Mechanical durability: 4000 cycles
- Electrical durability: 2000 cycles
- IP degree of protection: IP20 conforming to BS EN 60529 Ambient temperature: -25 C – +40 C
- Complies with BS EN 61008-1



Part No	Description
WARC263-030	2 pole 63A 30Ma Type A High Immunity RCD
WARC280-030	2 pole 80A 30Ma Type A High Immunity RCD
WARC2100-030	2 pole 100A 30Ma Type A High Immunity RCD
WARC463-030	4 pole 63A 30Ma Type A High Immunity RCD
WARC480-030	4 pole 80A 30Ma Type A High Immunity RCD
WARC4100-030	4 pole 100A 30Ma Type A High Immunity RCD

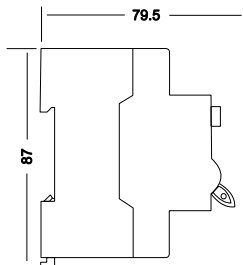
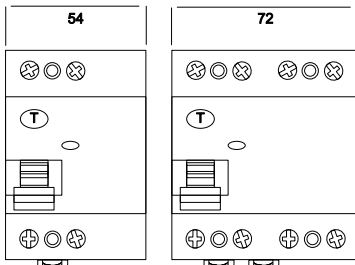
B-TYPE RCD

WCED brand B-Type RCD provide protection against DC residual fault currents, and against AC residual fault currents up to: 1000 hertz. They comply with IEC/EN 62423. Applications included:

E.V & R.V installations, frequency converters, UPS installations, high-frequency Power converters, building site power supply cabins.

Poles		2P	4P
Rated current (A) In		25,40,63	25,40,63
Rated working voltage (V) Ue		230/240	400/415
Rated insulated voltage (V) Ui		500	500
Impulse withstand voltage (kV) Uimp		4.5	
Rated short circuit breaking capacity (kA) Inc		10	
Rated residual current (mA) I n		30	
Rated residual making and breaking capacity (A) Im		1000	
Residual current protection type		Electromagnetic (A Type magnetic and B Type electronic)	
Sensitivity to residual current		B Type residual AC, pulsating and smooth DC current, high frequency (1kHz)	
Surge current proof (A)		3000	
Service life (O-C)	Mechanical standard value	4000	
	Electrical standard value	2000	
Connection and Installation			
Ambient temperature (with daily average less than or equal to 35 degrees C)		-25 degrees C - +40 degrees C	
Protection degree	All sides	IP40	
	Connection terminal	IP20	
Wire (mm ²)		35	
Busbar (mm ²)		35	
Mounting		Cable/Busbar	
Reference temperature for setting of thermal element		30	
Pollution degree		2	
Storage temperature (degrees C)		-25 degrees C - +40 degrees C	

Part No	Description
WEV240B-030	2 pole 40A 30mA Type B RCD
WEV263B-030	2 pole 63A 30mA Type B RCD
WEV440B-030	4 pole 40A 30mA Type B RCD
WEV463B-030	4 pole 63A 30mA Type B RCD

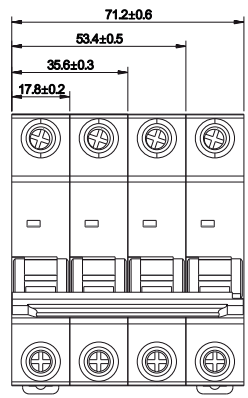
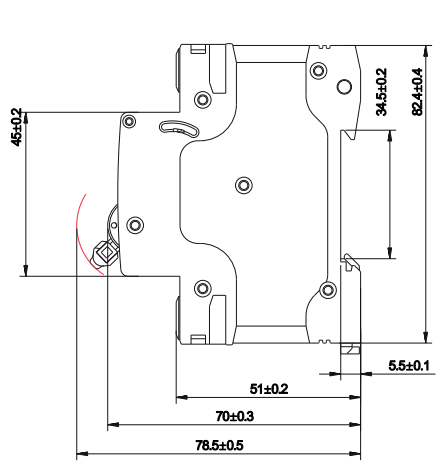


WKB 10kA MCB'S 6-63A

These WCED brand MCBs can be the ideal solution for domestic, as well as in commercial and industrial electrical, distribution systems because of its long lasting and durable nature.

Part No.	Discription	Box Qty
WKB206B	2 Pole 6Amps B Curve 10 kA MCB	60
WKB210B	2 Pole 10Amps B Curve 10 kA MCB	60
WKB216B	2 Pole 16Amps B Curve 10 kA MCB	60
WKB220B	2 Pole 20Amps B Curve 10 kA MCB	60
WKB225B	2 Pole 25Amps B Curve 10 kA MCB	60
WKB232B	2 Pole 32Amps B Curve 10 kA MCB	60
WKB240B	2 Pole 40Amps B Curve 10 kA MCB	60
WKB250B	2 Pole 50Amps B Curve 10 kA MCB	60
WKB263B	2 Pole 63Amps B Curve 10 kA MCB	60
WKB206C	2 Pole 6Amps C Curve 10 kA MCB	60
WKB210C	2 Pole 10Amps C Curve 10 kA MCB	60
WKB216C	2 Pole 16Amps C Curve 10 kA MCB	60
WKB220C	2 Pole 20Amps C Curve 10 kA MCB	60
WKB232C	2 Pole 32Amps C Curve 10 kA MCB	60
WKB240C	2 Pole 40Amps C Curve 10 kA MCB	60
WKB250C	2 Pole 50Amps C Curve 10 kA MCB	60
WKB263C	2 Pole 63Amps C Curve 10 kA MCB	60

1/2/3/4 pole versions
Also available



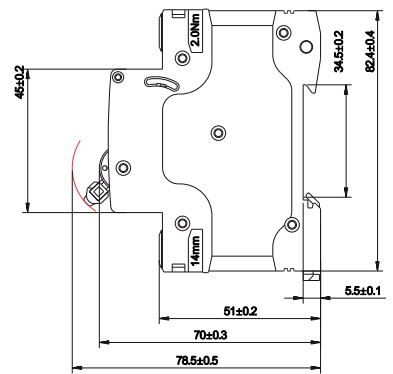
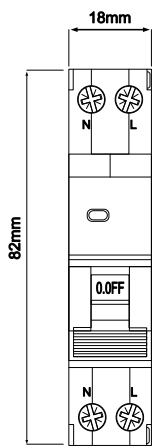
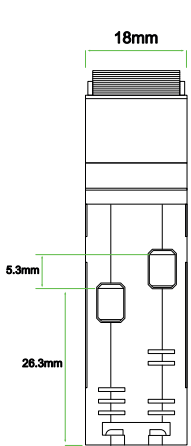
WKB 10KA MCB'S

Technical Data

Electrical Features	Rated current In	6A, 10A, 16A, 20A, 25A, 32A, 40A, 50A, 63A
	Rated voltage Ue	230/400V
	Insulation voltage Ui	500V
	Rated frequency	50/60Hz AC
	Rated breaking capacity	10,000A
	Energy limiting class	3
	Rated impulse withstand voltage(1.2/50) Uimp	4000V
	Dielectric test voltage at ind. Freq. for 1 min	2kV
	Pollution degree	2
	Thermo-magnetic release characteristic	B, C, D
Mechanical features	Electrical life	4,000 Cycles
	Mechanical life	20,000 Cycles
	Contact position indicator	Yes
	Protection degree	IP20
	Reference temperature for setting of thermal element	30°C
	Ambient temperature (with daily average=35 °C)	-5 °C ~ +40°C
	Storage temperature	-25 °C ~ +70 °C
Installation	Terminal connection type	Cable/U-type bus-bar/Pin-type bus-bar
	Terminal size top/bottom for cable	25mm ² 18-4AWG
	Terminal size top/bottom for bus-bar	10mm ² 18-8AWG
	Tightening torque	2.5Nm
	Mounting	On DIN rail EN 60715 (35mm) by means of fast clip device
	Connection	From top and bottom

WKN 2 POLE SINGLE MODULE MCB'S

- Rated current I_n (A): 6,10,16,20,25,32,40
- 2 Pole 1 Module
- Rated voltage U_e (AC): 230/400V
- Rated frequency: 50/60Hz
- Insulation voltage U_i : 500V
- Rated breaking capacity(A): 6Ka
- Rated impulse withstand voltage (1.2/50) U_{imp} (V): 4000
- Dielectric test voltage at ind. Frq for 1 min (KV): 2
- Thermo- magnetic release characteristic: B,C,D
- Electrical life: 8000
- Mechanical life: 20,000
- Contact position degree:IP20
- Reference temperature for setting of thermal element (C): 30
- Ambient temperature (with daily average <35 C : 5~+40)
- Storage temperature (C) : -25~+70



Part No	Description
WKN106B	6A B Curve 2P 1 Module 6KA MCB
WKN116B	6A B Curve 2P 1 Module 16KA MCB

4+5 POLE 100A MCB + SHUNT TRIP

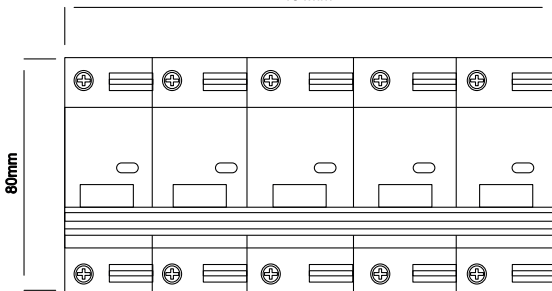
WKB range 100A high breaking capacity circuit breaker is used for protecting the circuit which overload and short circuit may take place. It can be used in lighting and electric motor distribution systems. Meantime it is applicable to infrequently switch the electric apparatus and light circuit under the normal conditions.

Technical data of the network at the point considered: the earthing (TNS,TNC), short-circuit current at the circuit-breaker installation point, which must always be less than the breaking capacity of this device, network normal voltage.

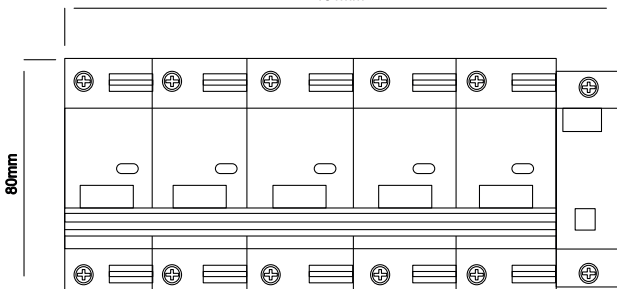
Part No	Description
WKB4100C	100A C curve 4 pole MCB 10KA
WKB5100C	100A C curve 5 pole MCB 10KA
WKB5100C-ST	100A C curve 5 pole MCB 10KA + 230V Shunt Trip



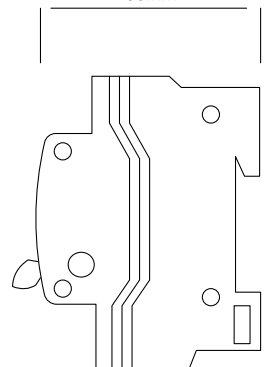
134mm



151mm



66mm

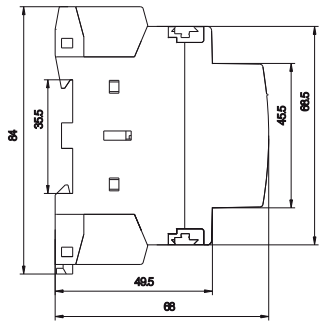
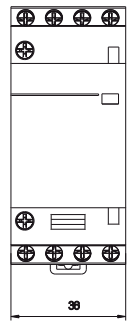
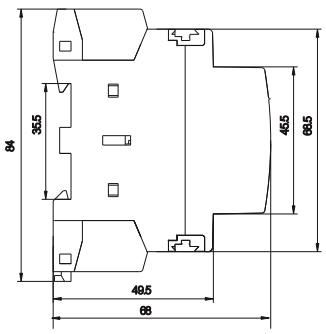


MODULAR CONTACTORS

WCED brand modular contactors are designed for use in modular panels and enclosures. Electric ratings: up to 20A, 25A, 40A, 63A, 100A, 125A. Compact modular design. No noise during operation. Suitable for housing within a consumer unit or modular enclosure.

Technical Data

- Rated operational voltage: 230/400V 50Hz
- IP degree of protection: IP20 conforming to BS EN 60529
- Utilization category: AC-7a and AC-1 according to BS EN 60947-4-1
- Ambient temperature: -25 C – +40 C
- Recommended Torque: 2.0Nm
- 35mm Din rail mounting
- Complies with BS EN 61095



MODULAR CONTACTORS

Part No	Description
WAC2P20	2 Pole 20A 2NO AC contactor
WAC2P20/24	2P 20A 2NO 24V Modular Contactor
WAC2P20CO	2P 20A 1NC 1NO Modular Contactor
WAC2P20NC/24	2P 20A 2NC 24V Modular Contactor
WAC2P25	2P 25A Modular Contactor
WAC2P32	2P 32A Modular Contactor
WAC2P40	2P 40A Modular Contactor
WAC2P63	2P 63A Modular Contactor
WAC2P100	2P 100A Modular Contactor
WAC2P125	2P 125A Modular Contactor
WAC4P20	4P 20A Modular Contactor
WAC4P25	4P 25A Modular Contactor
WAC4P25/24	4P 25A 4NO 24V Modular Contactor
WAC4P25CO	4P 25A 2NC 2NO Modular Contactor
WAC4P25NC	4P 25A 4NC Modular Contactor
WAC4P25NC/24	4P 25A 4NC 24V Modular Contactor
WAC4P32	4P 32A Modular Contactor
WAC4P32NC	4P 32A 4NC Modular Contactor
WAC4P40	4P 40A Modular Contactor
WAC4P40/24	4P 40A 4NO 24V Modular Contactor
WAC4P40NC	4P 40A 4NC Modular Contactor
WAC4P40NC/24	4P 40A 4NC 24V Modular Contactor
WAC4P63	4P 63A Modular Contactor
WAC4P63/24	4P 63A 4NO 24V Modular Contactor
WAC4P63NC	4P 63A 4NC Modular Contactor
WAC4P100	4P 100A Modular Contactor
WAC4P125	4P 125A Modular Contactor
WAC4P63NC/24	4P 63A 4NC 24V Modular Contactor

A-TYPE TIME DELAY RCD

The WCED brand Time Delayed RCD is used typically when two RCDs are installed in series, and the time delayed RCD enables discrimination, i.e. in the event of a fault only the 'upstream' RCD should trip

Technical Data

Mode: electro-magnetic

Residual current characteristics: A

Rated operational voltage: 230/400V

50Hz Earth-leakage sensitivity:
30,100,300mA

Rated conditional short-circuit current: 6kA

Mechanical durability: 4000 cycles

Electrical durability: 2000 cycles

IP degree of protection: IP20 conforming to:

BS EN 60529 Ambient temperature: -25 °C – +40 °C

Recommended Torque: 2.5Nm

Complies with BS EN 61008-1



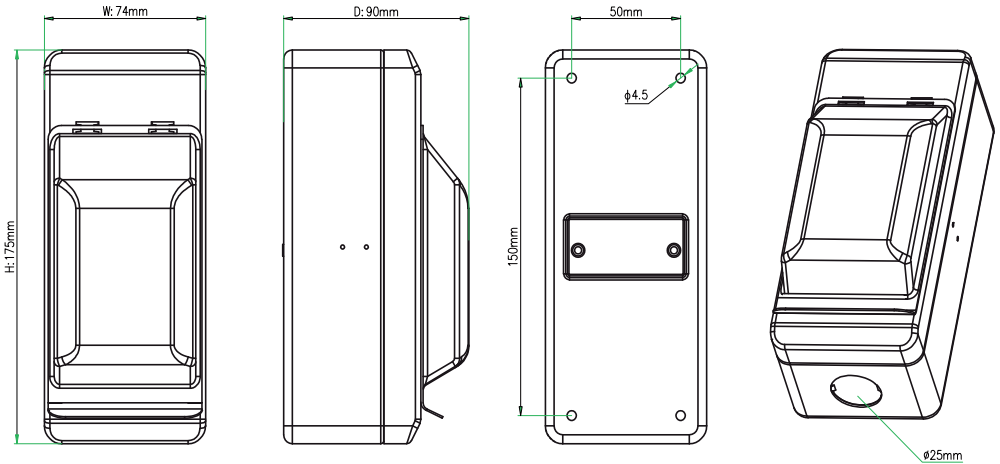
Part No	Description
ATDR263-100	2 Pole 63Amps 100mA Time Delay Type A high immunity RCD
ATDR280-100	2 Pole 80Amps 100mA Time Delay Type A high immunity RCD
ATDR2100-100	2 Pole 100Amps 100mA Time Delay Type A high immunity RCD
ATDR463-100	4 Pole 63Amps 100mA Time Delay Type A high immunity RCD
ATDR480-100	4 Pole 80Amps 100mA Time Delay Type A high immunity RCD
ATDR4100-100	4 Pole 100Amps 100mA Time Delay Type A high immunity RCD

A-TYPE ELECTRIC VEHICLE RCBO ENCLOSURE

This unit provides earth leakage and overload protection for most electrical vehicle installations.
The dual switch action indicates the type of fault detected.

- A-type high immunity
- 6-40A current
- 30ma AC earth leakage
- 6ma DC earth leakage

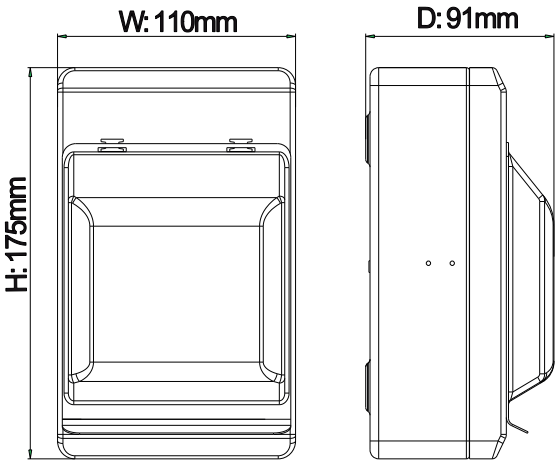
Part No	Description
WMEV206C/B	2 Module enclosure c/w 6A c or b curve
WMEV210C/B	2 Module enclosure c/w 10A c or b curve
WMEV216C/B	2 Module enclosure c/w 16A c or b curve
WMEV220C/B	2 Module enclosure c/w 20A c or b curve
WMEV225C/B	2 Module enclosure c/w 25A c or b curve
WMEV232C/B	2 Module enclosure c/w 32A c or b curve
WMEV240C/B	2 Module enclosure c/w 40A c or b curve
WME323B-32	3 Way IP40 metal enclosure with 32B RCBO + 32A MCB
WME32C-32	3 Way IP40 metal enclosure with 32C RCBO + 32A MCB
WMEV332B	3 Way IP40 metal enclosure with 32A RCBO + Blank
WMEV332C	3 Way IP40 metal enclosure with 32A c curve RCBO + Blank
WMEV340B	3 Way IP40 metal enclosure with 40A B curve RCBO + Blank



A-TYPE ELECTRIC VEHICLE RCBO ENCLOSURE + SURGE

This unit provides earth leakage and overload protection for most electrical vehicle installations.
The dual switch action indicates the type of fault detected.

- A-type high immunity
- 6-40A current
- 30ma AC earth leakage
- 6ma DC earth leakage



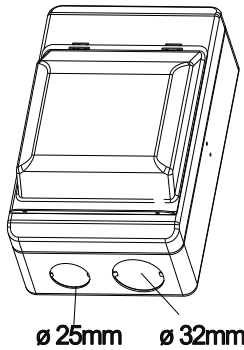
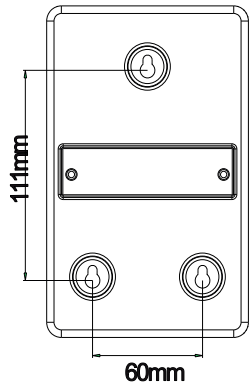
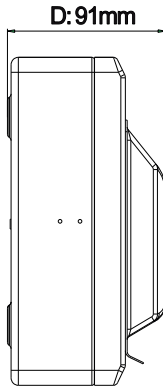
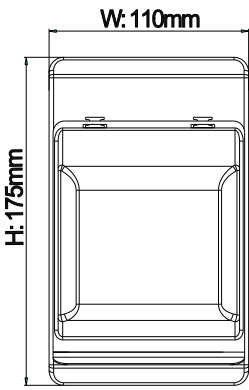
Part No	Description
WMRC323BSP	4 way metal A Type 32A B curve RCBO EV Protection Unit + Surge
WMRC32CSP	4 way metal A Type 32A C curve RCBO EV Protection Unit + Surge
WMRC40BSP	4 way metal A Type 40A B curve RCBO EV Protection Unit + Surge
WMRC40CSP	4 way metal A Type 40A C curve RCBO EV Protection Unit + Surge

WEV ELECTRIC VEHICLE KIT

This unit is used especially for electric vehicle installations Which require DC earth leakage detection. B-type RCD and MCB to protect against smooth and Pulsating DC leakage.

B-type RCD DC earth leakage protection. MCB provides overload protection

Part No	Description
WEVKIT63	63A RCD + 40A C MCB



PLASTIC WEATHERPROOF E.V KITS

A-TYPE ELECTRIC VEHICLE RCBO ENCLOSURE (WEATHERPROOF)

This unit provides earth leakage and overload protection for most electrical vehicle installations. The dual switch action indicates the type of fault detected.

- A-type high immunity
- 6-40A current
- 30ma AC earth leakage
- 6ma DC earth leakage
- IP65 weatherproof



Part No
WPEV206C/B
WPEV210C/B
WPEV216C/B
WPEV216C/B
WPEV220C/B
WPEV225C/B
WPEV232C/B
WPEV240C/B

WEV ELECTRIC VEHICLE KIT (WEATHERPROOF)

This unit is used especially for electric vehicle installations which require DC earth leakage detection. B-type RCD and MCB to protect against smooth and Pulsating DC leakage.

- B-type RCD DC earth leakage protection
- MCB provides overload protection
- IP65 weatherproof



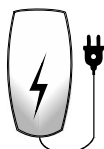
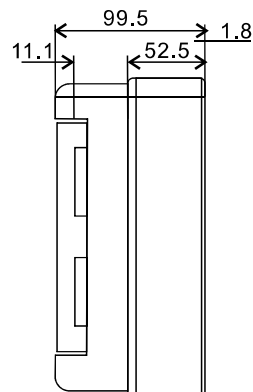
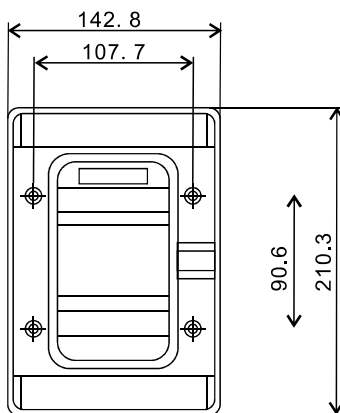
Part No	Description
WPEVKIT63-EC	63A RCD + 40A C MCB

A-TYPE ELECTRIC VEHICLE RCBO ENCLOSURE (WEATHERPROOF) + SURGE

This unit provides earth leakage and overload protection for most electrical vehicle installations. The dual switch action indicates the type of fault detected. This unit also comes with surge protection.

- A-type high immunity
- 6-40A current
- 30ma AC earth leakage
- 6ma DC earth leakage
- IP65 weatherproof

Part No	Description
WPRC32BSP	IP65 weatherproof A-Type 32B RCBO + Surge
WPRC32CSP	IP65 weatherproof A-Type 32C RCBO + Surge
WPRC40BSP	IP65 weatherproof A-Type 40B RCBO + Surge
WPRC40CSP	IP65 weatherproof A-Type 40C RCBO + Surge



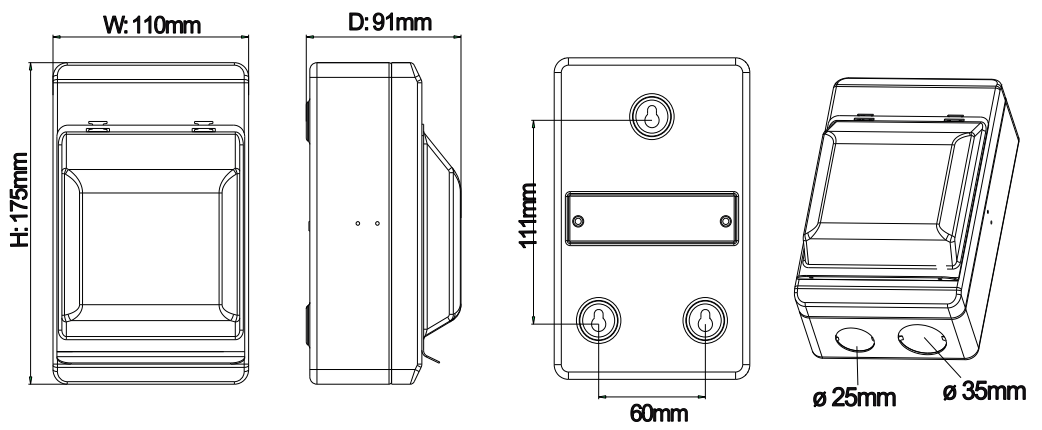
ideal for EV charger
installation

E.V CONNECTION UNIT

WCED E.V Connection unit, for providing protection and isolation of E.V sockets with built in RCBO protection.
 100A Main switch for isolation.
 32A MCB for overload protection.
 (Other MCB Ratings Available please enquire)



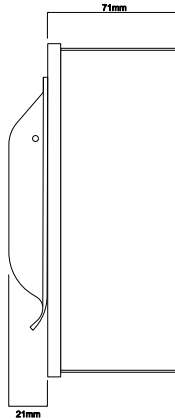
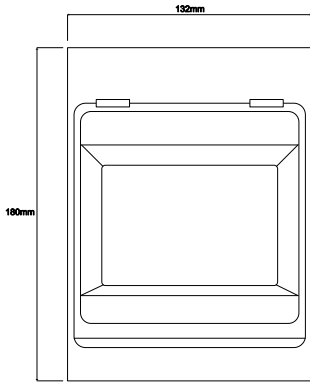
Part No	Description
WEVCU	100A Main switch & 32A MCB in 3 way mini IP40 Metal enclosure
WEVCU32B	100A M/S +32B MCB
WEVCU40B	100A M/S + 40B MCB
WERM6332	63A RCD A Type +32A MCB



E.V CONNECTION UNIT + SURGE

WCED E.V Connection unit, for providing protection and isolation of E.V sockets with built in RCBO protection.
 100A Main switch for isolation.
 32A MCB for overload protection.
 (Other MCB Ratings Available please enquire)

Part No	Description
WEVCU32BSP	100A M/S + 32B MCB + SPD in 5 way metal enclosure



IP65 E.V CONNECTION UNIT + SURGE

WCED E.V Surge Connection unit, provides surge and overload protection and isolation of E.V sockets with built in RCBO.

100A Main switch for isolation.
32A MCB for overload protection.
(Other MCB Ratings Available please enquire)

Part No	Description
WPEVCU32BSP	100A M/S + 32B MCB + SPD in 8 way IP65 enclosure





WEATHERPROOF



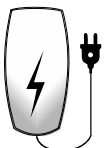
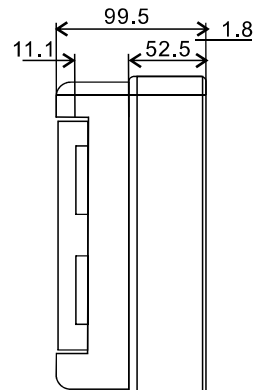
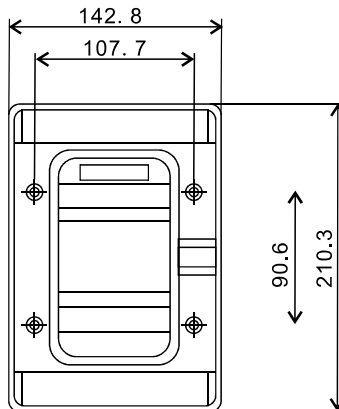
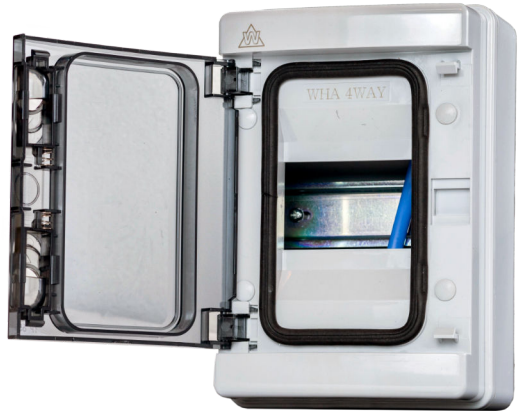
WHA PLASTIC ENCLOSURES

IP65 plastic enclosure, suitable for internal or external use. Internal earth/neutral bars included.

Complies with all relevant EN standards.

Ideal for installing your EV circuit protection in outdoor locations.

Part No	Description	W	H	D
WHA465	4 way empty plastic enclosure	140	205	95
WHA865	8 way empty plastic enclosure	212	205	95
WHA1265	12 way empty plastic enclosure	295	255	140

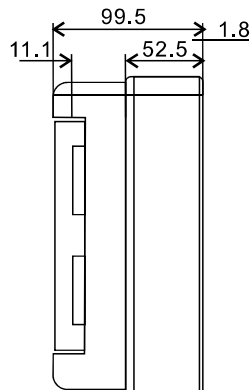
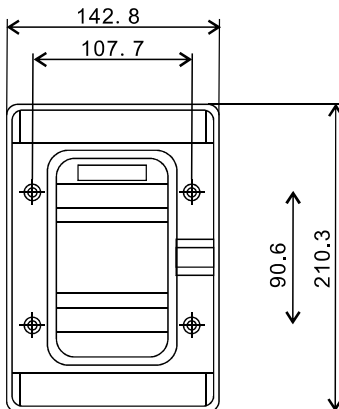


ideal for EV charger installation

PLASTIC GARAGE UNITS

4 mod IP65 plastic garage unit 63A RCD. Suitable for internal or external use. Internal Earth/Neutral bars included. Complies with all relevant EN standards.

Part No	Description
WPGU04/616	63A RCD 6A/16A B MCB
WPGU04/620	63A RCD 6A/20A B MCB
WPGU04/632	63A RCD 6A/32A B MCB
WPMS/616	100A Main switch 6A/16A B MCB
WPMS/620	100A Main switch 6A/20A B MCB
WPMS/632	100A Main switch 6A/32A B MCB

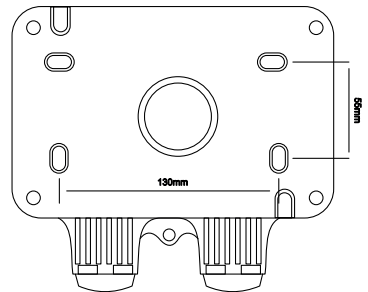
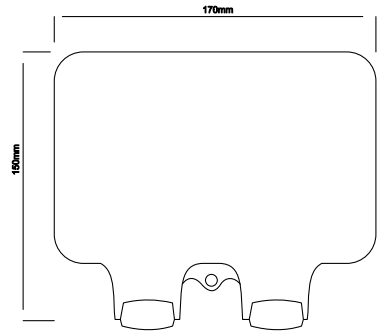
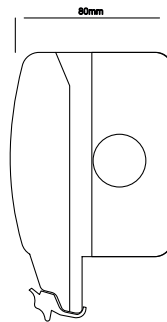


IP66 13A WEATHERPROOF SOCKETS AND SPUR UNITS

The Weatherproof Socket range comprises a robust poly-carbonate enclosure with durable and interchangeable integrated two gang switched socket. It provides a convenient and safe wall mounted power point for outdoor equipment such as D.I.Y and garden tools and equipment.

- IP66 water and dust protection
- Robust poly-carbonate housing
- Secure and easy to open lid- catch
- Removable blanking caps on all four sides for cable entry
- Complies with BS1363

Part No	Description	W	H	D
WPS213	IP66 2 gang weatherproof socket	170	150	80
WPS113	IP66 1 gang weatherproof socket	112	150	80
WPF13	IP66 weatherproof spur	112	150	80

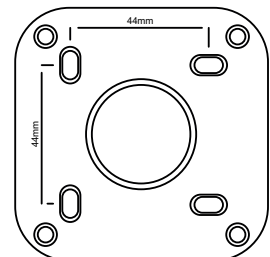
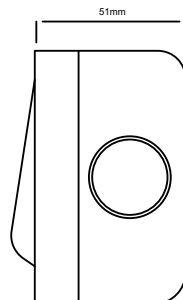
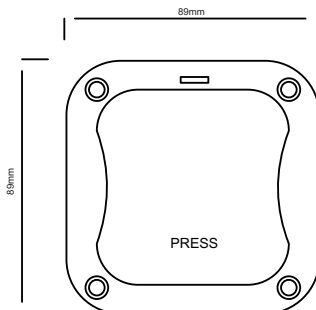


20A WEATHERPROOF SWITCHES

The Weatherproof Switch range comprises a robust poly-carbonate enclosure incorporating a one or two gang Grid Switch Module arrangement. It provides a convenient and safe wall-mounted control for outdoor equipment such as lighting, garden pond pumps, etc up to 20A current rating.

- Weatherproof & dust-tight 20A switch
- IP66 water and dust protection
- Configurable neon indicator
- Robust poly-carbonate housing
- Multiple gland entry positions
- Ergonomic large switch
- Ideal for garden workshop & commercial applications
- Complies with BS EN 60669-1

Part No	Description	W	H	D
WS1G2W	Weatherproof 20A 1 gang 2 way switch	89	89	51
WS1GR	Weatherproof 20A 1 gang 2 way retractive	89	89	51
WS2G2W	Weatherproof 20A 2 gang 2 way switch	89	89	51



METER ISOLATION

PLASTIC RANGE



Single phase
Meter isolation unit



3 phase
Meter Isolation Unit



Single phase meter
Isolation c/w surge
protection



3 phase
Meter Isolation Dual Terminal
Main switch



2 mod
enclosure

METAL RANGE



Single phase
Meter Isolation



3 phase
Meter Isolation Unit



Single phase
c/w surge



3 phase
Meter Isolation Dual Terminal
Main switch



2 mod
enclosure

Terms And Conditions

Whitecliffe Electrical Distribution Ltd is registered at unit 9 Dale street radcliffe M26 1AD (11889357)

VAT Registration Number GB318075017

When you (the person named on the order) place an order with us, we will do business with you under the following terms.

1.VAT

The prices shown are exclusive of VAT and this will be charged at the relevant rate.

2.Payment

Where we do not offer credit facilities all our goods are on a payment-with-order basis. We can take payment by most credit cards and debit cards. If credit facilities are offered payment shall be received within 30 days from date of invoice unless specified in writing. Payments shall not be withheld due to unrelated claims made by the purchaser against the seller. Late payment charges of 2% per month on any outstanding invoice will be levied on overdue payments.

3.Sending you the goods

We will normally send you your goods on the same working day, as long as we receive your order before 2pm. The goods become your property as soon as we receive payment. Delivery We will deliver your order to any address in the UK. For standard delivery, we use a national carrier and in most cases you will receive your goods on the next working day. If you live in a remote area or the carrier finds your address more difficult to find, your delivery may take a little longer. With some of the more remote areas such as the Highlands of Scotland, delivery can take several days.

4.Receiving orders

We will always need an authorised signature when delivering goods to you.

5. Availability

We aim to keep enough stock so that we never run out. However, at times when there is unexpectedly high demand, we may unfortunately run out. If this happens, we may delay sending out your order for a couple of days while we get new stock. We will use the information you have given with your order to let you know about our progress. You may contact us at any time to check on the progress of your order.

6.Cancellation

If you want to cancel your order, you may do so at any time until we send it out. We normally pack and send out your order in a very short period. If you want to cancel the order, you should do so by email and we will confirm whether we have been able to do this.

7. Returns

If you wish to return non stock items a return fee of 20% will be levied against the cost of the goods when returned, no returns will be accepted without prior authorisation.

8.12-Month Guarantee

If any of the goods we supply fail to perform satisfactorily due to faulty materials or workmanship, you may contact us for a refund or to arrange repair (if we decide) at any time in the first 12 months. All we ask is that you explain what the problem is and give us details of the purchase. Some of the goods we sell carry longer manufacturers' warranties. Our guarantee is aimed at giving you extra peace of mind. It is not a substitute for the manufacturer's warranty.

9.Our mistakes

We are constantly updating our products, prices and offers. We are confident of our technology and staff but we realise that we sometimes may make mistakes. If we offer goods for sale incorrectly, we will always try to honour our offer. There may be rare circumstances where it is not possible for us to do this. In these cases, we will contact you and explain the situation. If we cannot sort out the matter fairly with you, we can refuse your order and refund any payment you may have made.

10.Unexpected circumstances

If things like strikes, wars, acts of terrorism or even small things like power cuts interfere with our business with you, we will do our best to keep things going. However, we will not be legally responsible to you for any failure which is due to these unexpected circumstances or any other situation outside our control.

Legal responsibility Nothing in these terms of business should affect your legal rights or limit our legal responsibility for death, personal injury or fraudulent misrepresentation resulting from our negligence, or any other liability which we cannot limit or exclude by law. (This includes our legal responsibility under section 2(3) of the Consumer Protection Act 1987.) We will not compensate for delivery delays or failures that are outside our control unless you have asked us for a premium delivery option. In these circumstances, we will limit what we pay you to a refund of the delivery charges you have paid. We will not be legally responsible to you for any losses which both we and you could not expect at the time you bought the goods. If you are a trade customer, we will not be legally responsible to you for any business losses.

Law These terms of business will be governed by English law. Any disputes will be dealt with by the English courts.

July 22



Unit 9 Dale street
Radcliffe
Manchester
M26 1AD



sales@wced.co.uk
www.wced.co.uk
0161 723 1451