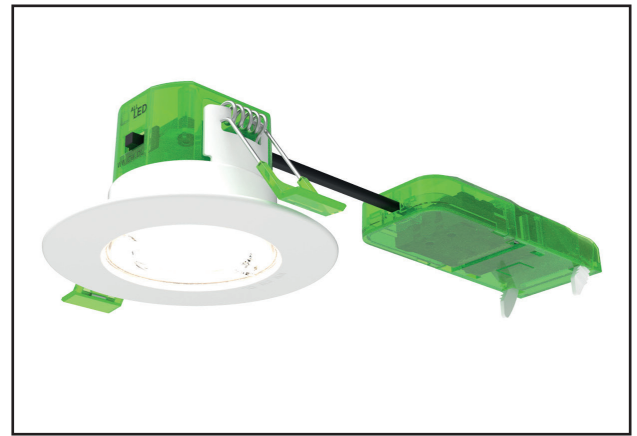


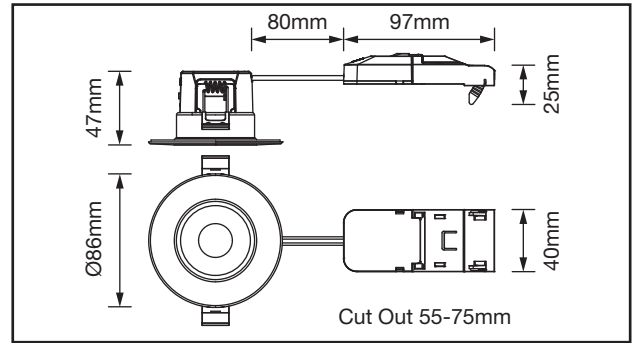
AFD600D/CCT

6W Fixed IP65 CCT Selectable
Dimmable LED Fire Rated Downlight
With 2 Part Connector



PRODUCT FEATURES

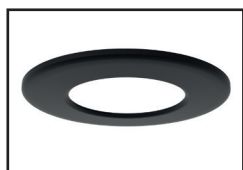
- 2 Part Connector With Push Terminals
- 30, 60, 90 Minutes Fire Rated (Timber Joist)
- 30, 90 Minutes Fire Rated I-Joist
- 30 Minutes Fire Rated Metal Web Joist
- Compliant to; Part B - Fire, Part C - Moisture, Part E - Acoustic & Part L Air Leakage
- CCT Selectable (3000K, 4000K & 6500K)
- IP65 Rated
- Loop-In Loop-Out Quick Connect Push Terminal
- Ultra Slim Polar White Bezel As Standard
- Insulation Coverable
- Low Profile Snap On Polished Chrome, Satin Nickel And Carbon Black Bezels Available
- Up to 110lm/w Output



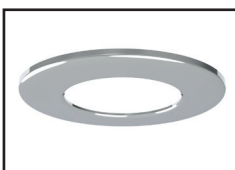
TECHNICAL SPECIFICATIONS

Code	AFD600D/CCT		
Luminous Flux (LM)	≤600lm	≤660lm	≤620lm
Useful Luminous Flux (LM)	≤465lm	≤510lm	≤480m
CCT (Kelvin)	3000K	4000K	6500K
Beam Angle (°)	60°		
SDCM	<6		
CRI	≥80		
Peak Intensity (cd)	519cd	569cd	537cd
Operating Voltage (V)	220-240V AC		
Max Output Power (W)	6W		
Operating Current (A Max)	0.0385A		
Power Factor (Pf)	>0.8		
Class	II		
Body Material	Polycarbonate & Pressed Steel		
Cut Out	55-75mm		
Frame Colour	Polar White		
Switching Cycles	≥60,000		
Ingress Protection	IP65		
Ambient Operating Temperature (°C)	-20°C ~ +45°C		
Input Frequency (Hz)	50/60Hz		
Guarantee	3 Years		
Dimmable	Yes		
Dimming Mode (Trailing Or Leading)	Trailing		
Lifetime (L70 B50)	≥30,000 Hrs		
Survival Factor	>0.9		
Displacement Factor	>0.8		
Flicker Metric (PstLM)	<1		
Stroboscopic Effect Metric (SVM)	<0.4		

ACCESSORIES*



**Carbon Black
Low Profile
Snap On Bezel**
AFD600DBZ/BLK



**Polished Chrome
Low Profile
Snap On Bezel**
AFD600DBZ/PC



**Satin Nickel
Low Profile
Snap On Bezel**
AFD600DBZ/SN



*Sold Separately