

AEMBH/MINI/M

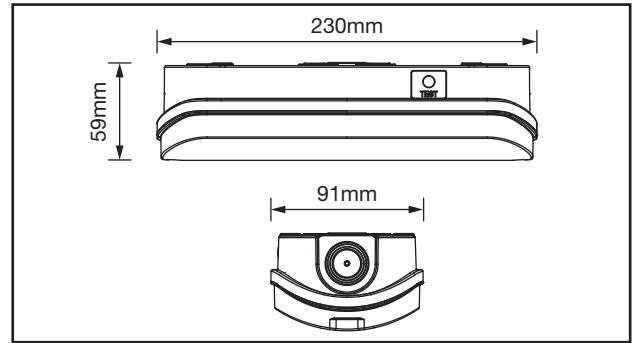
4.2W IP65 IK10 Rectangular Mini
Maintained & Non-Maintained
Emergency Bulkhead

EvacuLite Mini



PRODUCT FEATURES

- Functions As A Maintained Or Non-Maintained Luminaire
- 20mm Conduit/Side Entries And Besa Box Mounts
- IK10 Vandal Resistant Design
- Loop In Loop Out Push Terminals For Easy Wiring
- IP65 Rated - Suitable For Internal & External Applications
- Marine Grade Tough Polycarbonate Construction - Suitable for Coastal Areas
- Universal Self-Adhesive Legends Included
- >3 Hours Of Continuous Light In Emergency Mode
- Suitable For Wall & Ceiling Mounting
- 140lm/w High Lumen Output



TECHNICAL SPECIFICATIONS

Product Code	AEMBH/M
Luminous Flux (LM)	<140lm
Useful Luminous Flux (LM)	<140lm
Emergency Luminous Flux (LM)	<140lm
CCT (Kelvin)	6500K
Beam Angle (°)	108°
SDCM	<6
CRI	>80
Peak Intensity (cd)	55cd
Operating Voltage (V)	220-240V AC
Emergency Output Power (W)	1W
Operating Power (W)	4.2W
Operating Current (A max)	0.032A
Power Factor (Pf)	>0.5
Class	II
Body Material	Polycarbonate
Frame Colour	RAL9003
Switching Cycles	30,000
Ingress Protection	IP65
Impact Resistance Rating	IK10
Ambient Operating Temperature (°C)	0°C ~ +50°C
Input Frequency (Hz)	50/60Hz
Guarantee	5 Years
Lifetime (L70 B50)	60,000 Hrs
Charge Time	24 Hrs
Battery Type	LiFePO4
Battery Voltage	3.2VDC
Battery Current	1500mAh
Battery Wattage Hours	4.8Wh
Emergency Duration	3 Hrs

