

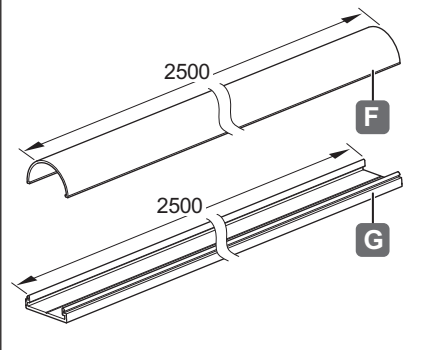


833.74.835 833.89.251
 833.74.877 833.89.252
 833.74.893 833.89.253
 833.89.254

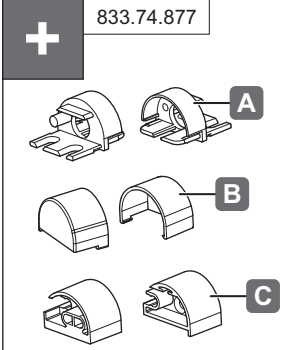
732.28.499




2500 F
2500 G

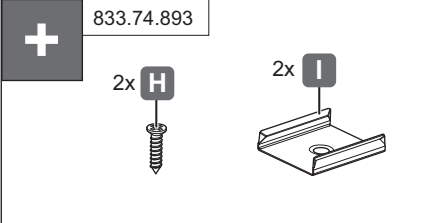
+ 833.74.877



4x D
4x E

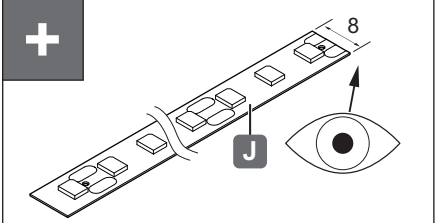


+ 833.74.893



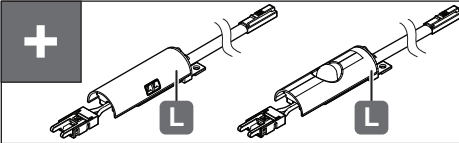
2x H
2x I

+

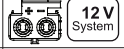



8
J


+



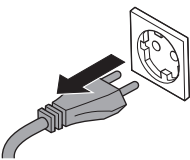
L L

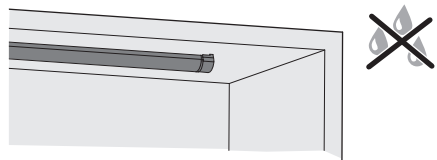
		
PIR	833.89.251	833.89.253
IR Door	833.89.252	833.89.254

i



100 - 240 V~



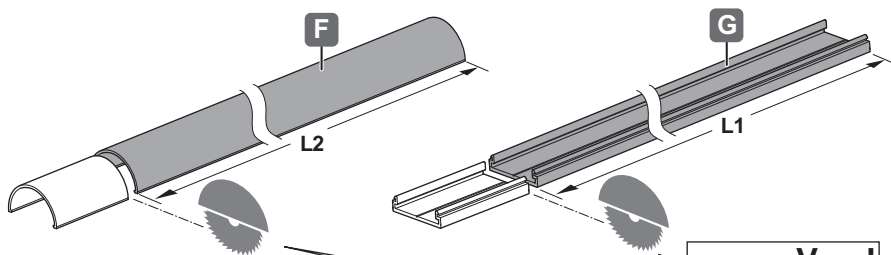


HDE 07.04.2022

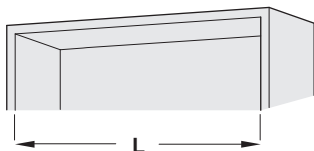
1



„mm“

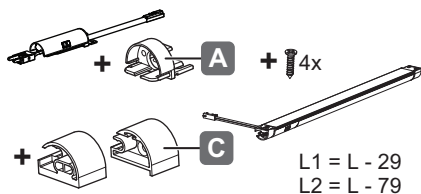
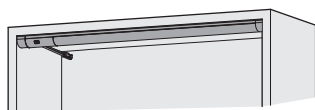


i

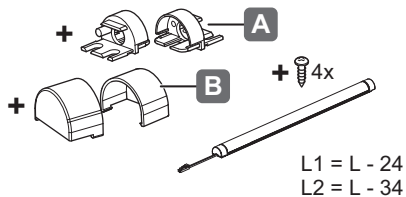
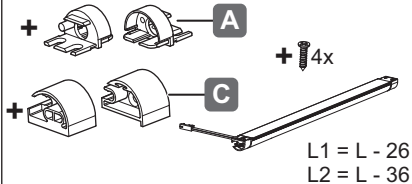
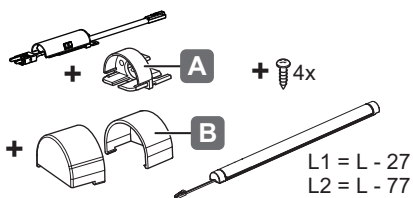
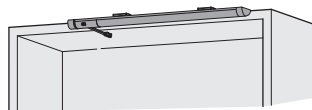


732.28.499

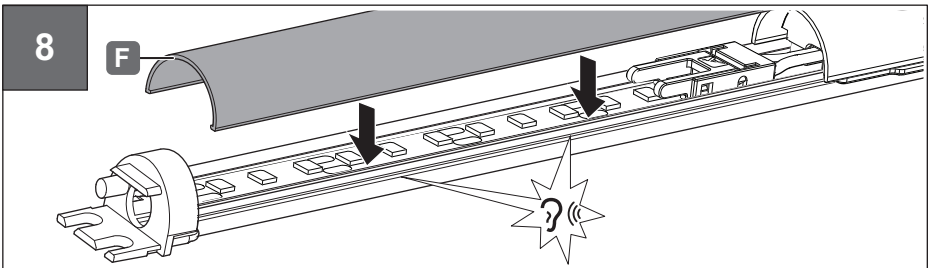
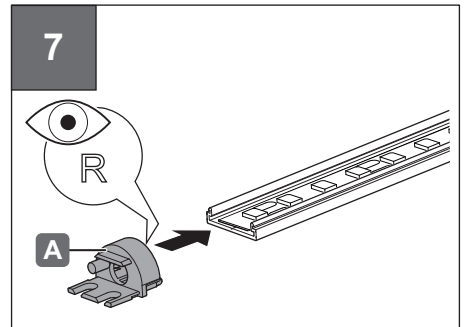
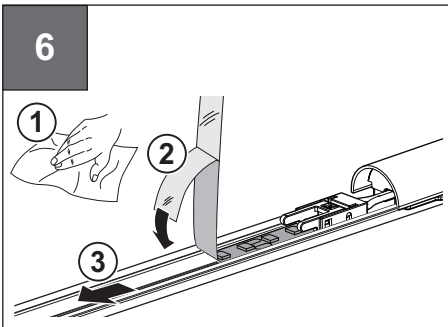
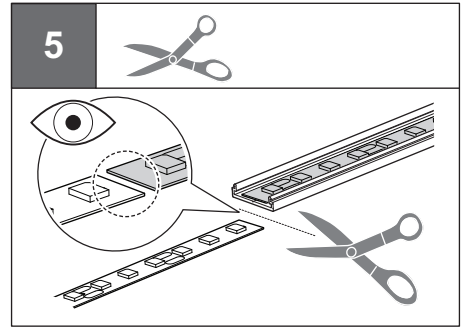
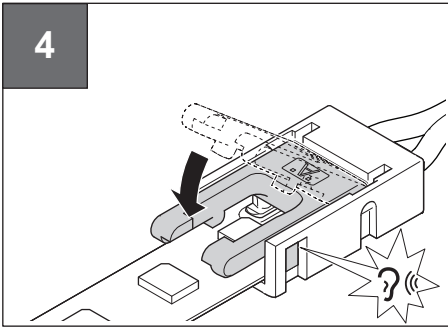
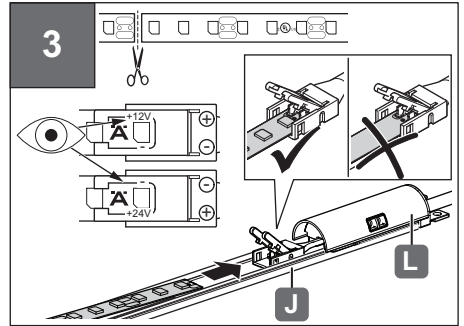
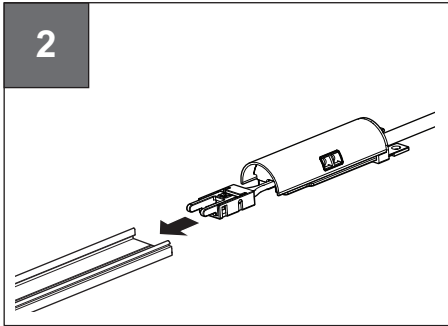
A



B



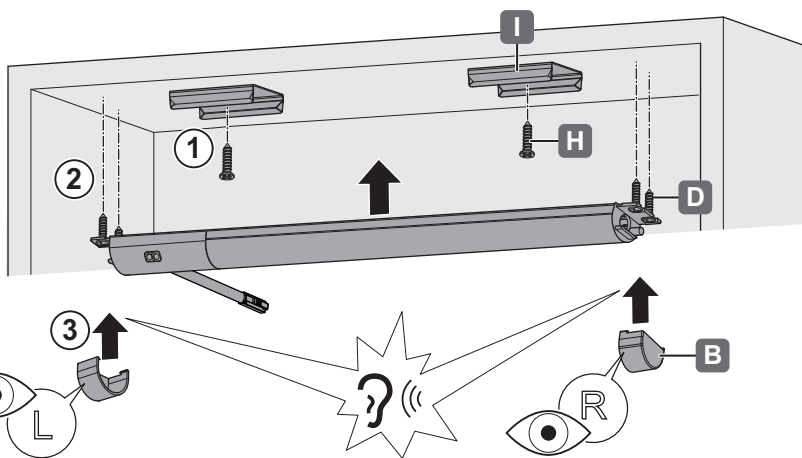
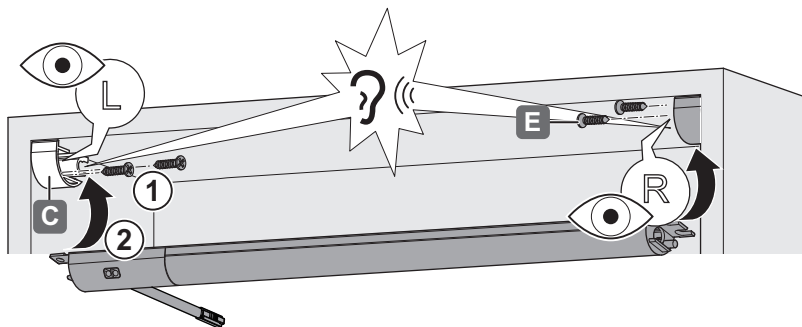
HDE 07.04.2022



732.28.499

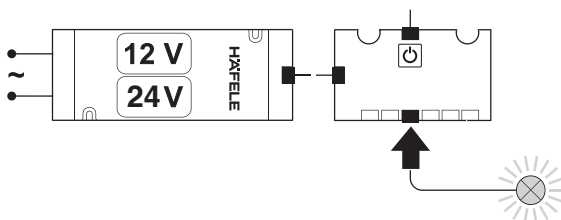
HDE 07.04.2022

9



732.28.499

10



HDE 07.04.2022