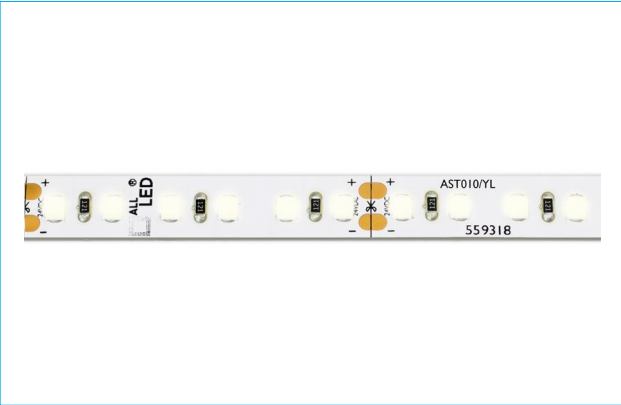


AST010/\*\*

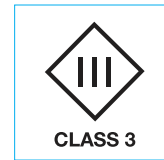
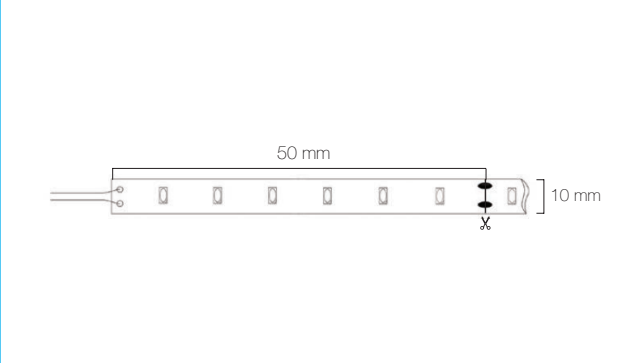
COLOUR-PRO - 10W/M IP20 LED Strip, 24V - Supplied in 40m Rolls, or Cut to

### PRODUCT FEATURES

- Can Be Cut at 50mm Intervals
- Available in a Range of Colours: Filament Yellow, Apple Green, Corsa Red, Azure Blue, Ambient Amber
- Product Code Featured on All LED Strips
- 10mm Width
- 120 LED/m
- IP20 Rated
- Customised Bespoke Service Available



### DIMENSIONS



Product Code	AST010/YL	AST010/GR	AST010/RD	AST010/BL	AST010/AB
luminous Flux	≤464 Lm/M	≤915 Lm/M	≤250 Lm/M	≤132 Lm/M	≤796 Lm/M
"Useful Luminous Flux (LM) (Sphere 360°)"	≤464 Lm/M	≤915 Lm/M	≤250 Lm/M	≤132 Lm/M	≤796 Lm/M
CCT	FILAMENT YELLOW	APPLE GREEN	CORSA RED	AZURE BLUE	AMBIENT AMBER
Beam Angle	120°	120°	120°	120°	120°
SDCM	<6	<6	<6	<6	<6
Operating Voltage	24VDC	24VDC	24VDC	24VDC	24VDC
Max Output Power	10W/M	10W/M	10W/M	10W/M	10W/M
Class	III	III	III	III	III
Switching cycles	<15,000	<15,000	<15,000	<15,000	<15,000
Ingress Protection	IP20	IP20	IP20	IP20	IP20
Ambient Operating Temperature	-20 ~ +40°C	-20 ~ +40	-20 ~ +40	-20 ~ +40	-20 ~ +40
Guarantee	2	2	2	2	2
Life Time to LM70	30,000H	30,000H	30,000H	30,000H	30,000H
LED Per Meter	120LED	120LED	120LED	120LED	120LED
PCB Width	10MM	10MM	10MM	10MM	10MM
Cut Points	50MM	50MM	50MM	50MM	50MM

