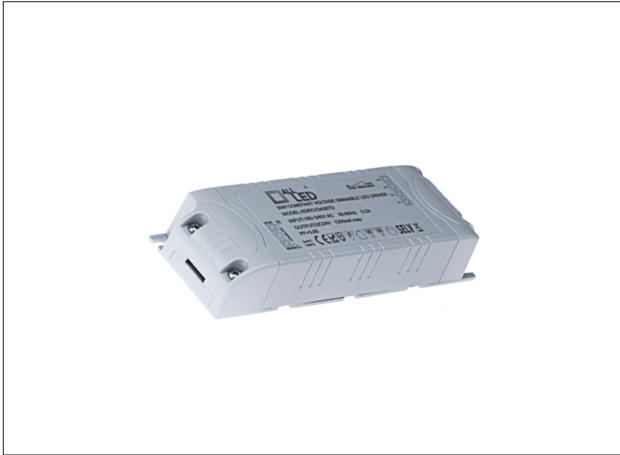


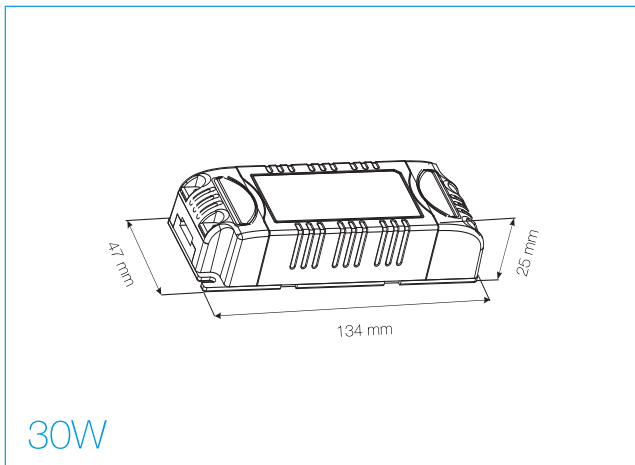
## TECHNICAL DATASHEET

ADRCV2430TD  
30W 24V DC CONSTANT VOLTAGE TRIAC DIMMABLE



### PRODUCT FEATURES

- Constant Voltage LED Power Supply
- Moulded Polycarbonate Body
- Overload Protection
- Regulated Output
- Thermal Cutout
- SELV Rated
- Triac Dimmable



**MAINS**  
DIMMABLE

		<b>ErP</b> Compliant	
	<b>3</b> Year Guarantee	<b>24V</b>	

PRODUCT CODE	ADRCV2430TD
Operating Voltage	180-240 V AC
Output Voltage	24V DC
Operating Load	20-30W
Output Current (Max.)	1.25A
Temperature	-30~+45°C