

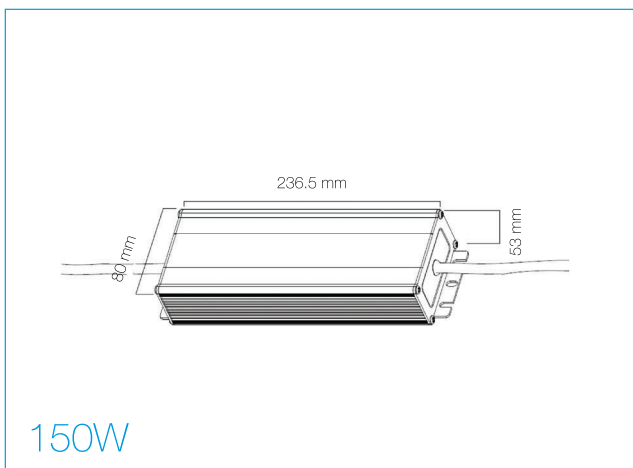
## TECHNICAL DATASHEET

ADRCV24150TD/IP  
150W 24V DC CONSTANT VOLTAGE DIMMABLE, IP66



### PRODUCT FEATURES

- Constant Voltage LED Power Supply
- Moulded Polycarbonate Body
- Overload Protection
- Regulated Output
- Thermal Cutout
- SELV Rated
- Triac Dimmable
- IP66



**MAINS**  
DIMMABLE


PRODUCT CODE	ADRCV24150TD/IP
Operating Voltage	180-240 V AC
Output Voltage	24V DC
Operating Load	90-150W
Output Current (Max.)	6.25A
Temperature	-40~+60°C