

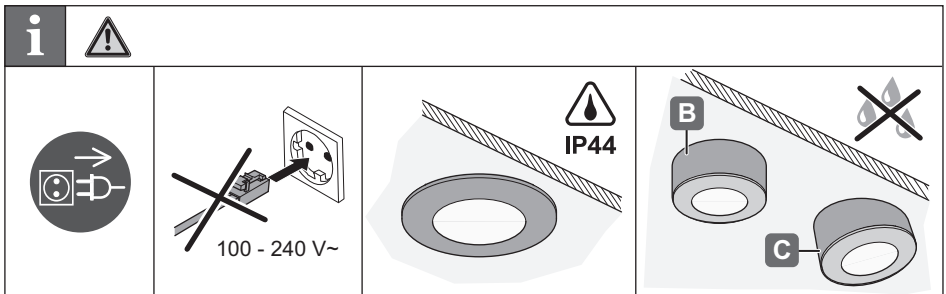
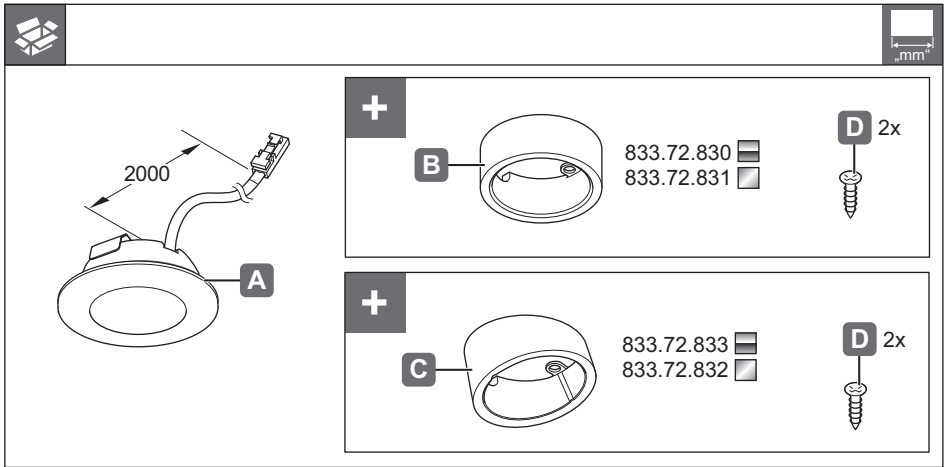


LED 2022



833.72.040 833.72.044
 833.72.041 833.72.045
 833.72.042 833.72.046
 833.72.043

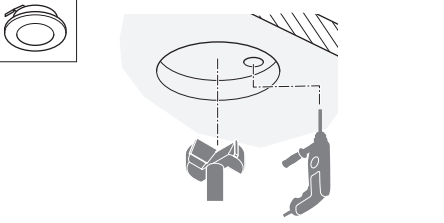
12 V System	K	W	T _A	mm	mm	~ =
833.72.043 833.72.040	3000 K	1.5 W	-20 °C – +35 °C -4 °F – +95 °F	Ø 35 x 14	≥ Ø 45 x 24	
833.72.044 833.72.041	4000 K					
833.72.045 833.72.042	5000 K					
833.72.046	3000 K					

732.28.354

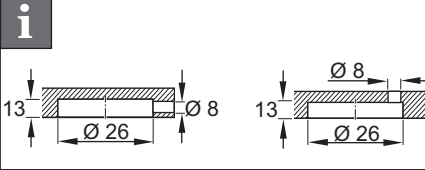



HDE 29.03.2022

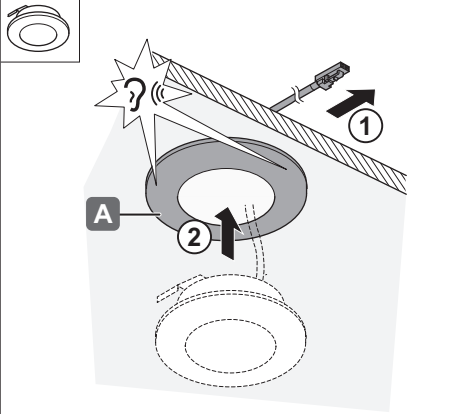
1  26 mm  8 mm




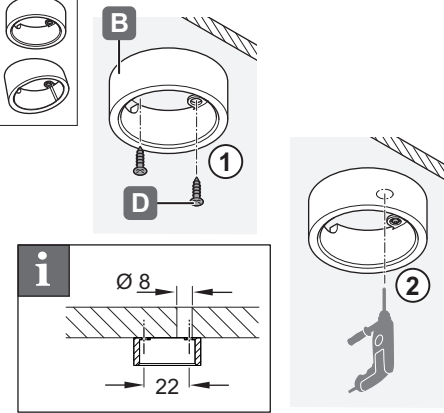
i



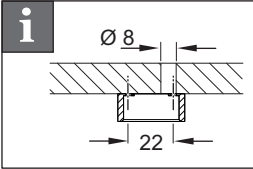
2  8 mm



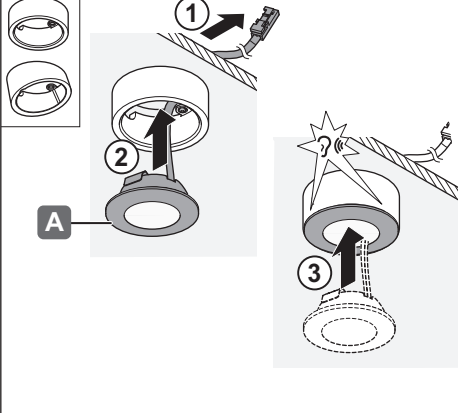
1  8 mm



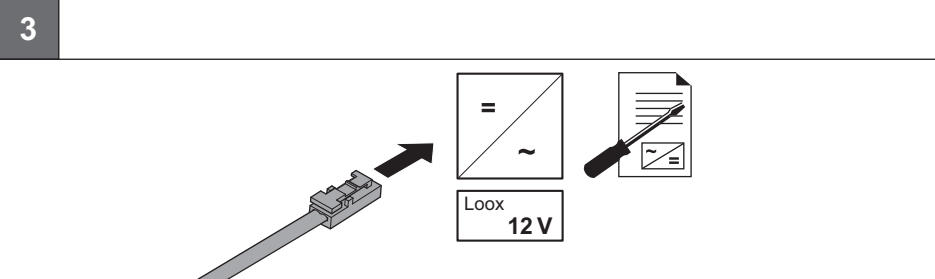
i



2



3




=

~

Loox

12V



732.26.354

HDE 29.03.2022