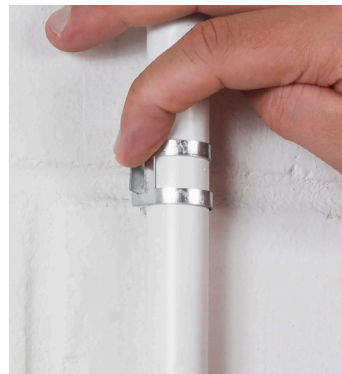


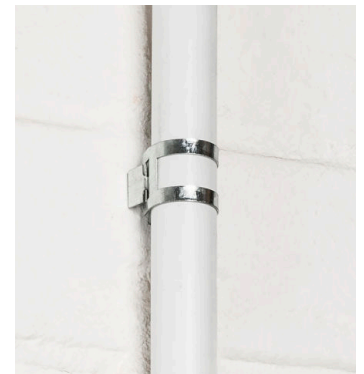
Provides a 3mm stand off from the surface



Simply wrap around the conduit, perfect for tight spaces



Secure conduit with locking tab

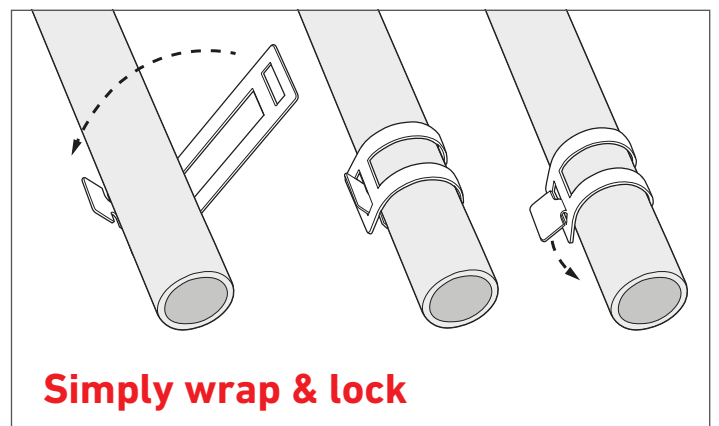


Centralised base fixing, gives a neat appearance to installation

**Safe-D Conduit Saddles combine fire performance, quickest fix, and a modern look, to secure cables in 20mm & 25mm outer diameter PVC and galvanised conduit installations... & 20mm or 25mm o/d cables and pipes.**

**1 piece for only 1 fixing!**

- Modern, stylish appearance
- Ideal for tight spaces
- Compliant with BS7671 and BS5839-1 requirements
- Non-corrosive finish
- Unique single piece fixing, only 1x screw required - labour-saving design
- Fixing hole is ideal for use with D-Line D-Fixings
- Available in white, black or galvanised finish
- Adjustable slot in base for fixings
- Supplied in boxed quantity of 100 pcs (bags of 20 pcs on request)



**Simply wrap & lock**