

TECHNICAL DATASHEET

AFL020/CCT/WH

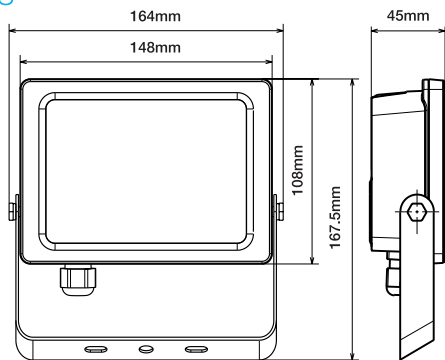
20W IP65 Hunter Slim Design CCT Floodlight White



PRODUCT FEATURES


- Easy-Install Angled Bracket
- Tri-Colour Selectable (3000K, 4000K & 6000K)
- Slimline Die-cast Aluminium Construction
- Prismatic Toughened Glass
- Push Terminals for Effortless Install
- Built-in Junction Box

DIMENSIONS



Product Code	AFL020/CCT/WH
Rated Power	20W
Housing Colour	Polar White
Operating Voltage	220-240V
Frequency	50-60Hz
CRI	>80
PF	>0.9
Beam Angle	120°
Lifetime to LM70	30,000 hr
Operating Temperature	-25°C.+40°C
SDCM	<6
Starting Time	0.5s
Ingress Protection	IP65
LED Chip Type	SMD2835
Guarantee	2 years
Lumens	
3000K	≤1610Lm
4000K	≤1880Lm
6000K	≤1690Lm
CCT	3000K /4000K /6000K
Switching Cycles	≤15,000
Peak Intensity	
3000K	615cd
4000K	712cd
6000K	634cd
Class	I

ALL LED
AFL020/CCT/WH

 This luminaire contains built-in LED lamps.

A++
A+
A
B
C
D
E

} LED

The lamps cannot be changed in the luminaire.

874/2012 