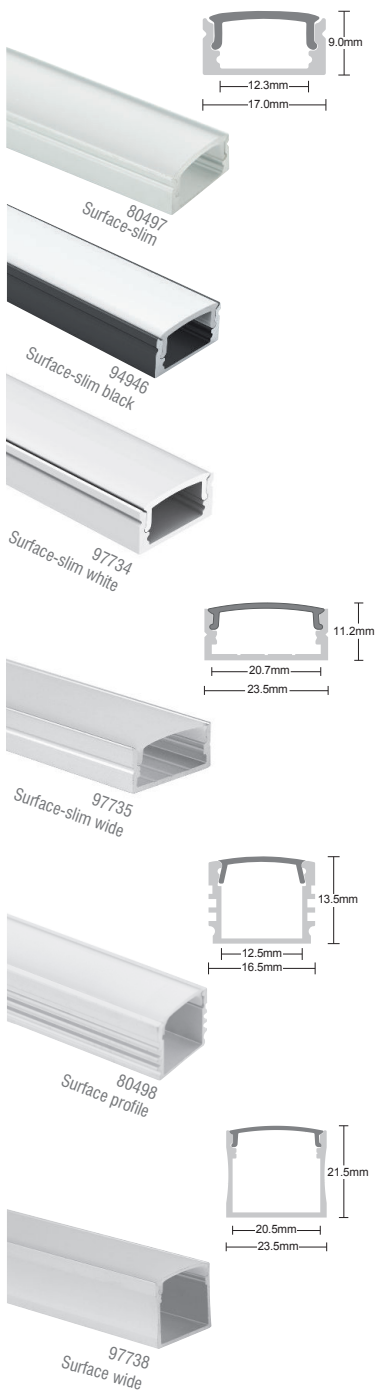


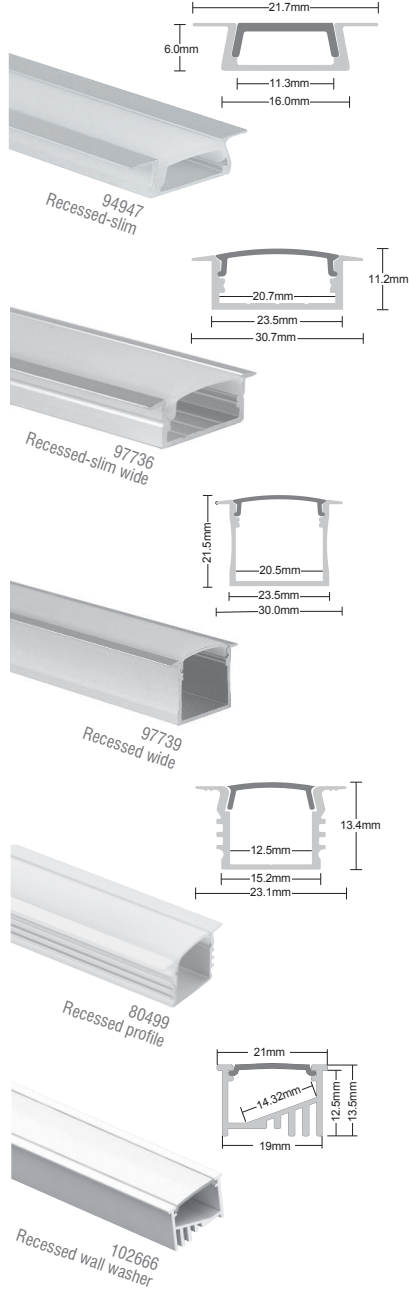
EXTRUSION

80497, 80498, 80499, 80500, 80501, 94946, 94947, 94948, 94949
 97732, 97734, 97735, 97736, 97737, 97738, 97739, 102665, 102666, 102667, 102668

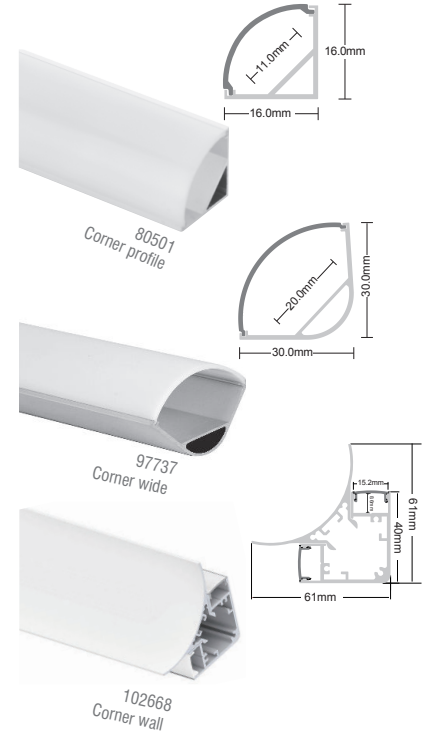
Surface



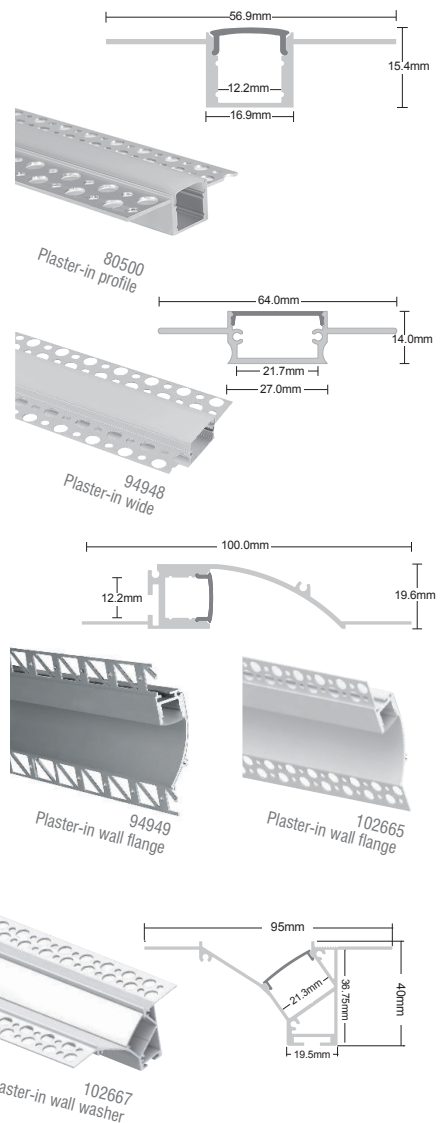
Recessed



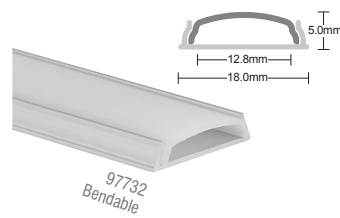
Corner



Plaster-in



Bendable



Thank you for purchasing this accessory. Please read the instruction carefully before use to ensure safe and satisfactory operation of this product.
Please retain these instruction for future reference.

Specification - Dimensions:

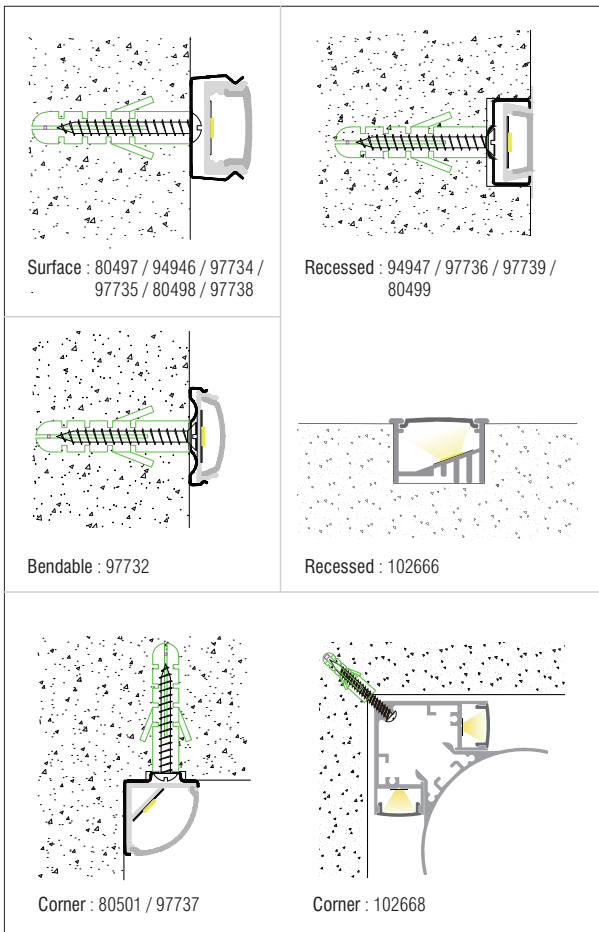
Surface - 80497: 2000mm x 17mm x 9mm 94946: 2000mm x 17mm x 9mm 97734: 2000mm x 17mm x 9mm 97735: 2000mm x 23.5mm x 11.2mm 80498: 2000mm x 16.5mm x 13.5mm 97738: 2000mm x 23.5mm x 21.5mm	Recessed - 94947: 2000mm x 21.7mm x 6mm 97736: 2000mm x 30.7mm x 11.2mm 97739: 2000mm x 30.0mm x 21.5mm 80499: 2000mm x 23.1mm x 13.4mm 102666: 2000mm x 21mm x 13.5mm	Bendable - 97732: 2000mm x 18mm x 5mm	Plaster-in - 80500: 2000mm x 56.9mm x 15.4mm 94948: 2000mm x 64mm x 14mm 94949: 2000mm x 100mm x 19.6mm 102665: 2000mm x 100mm x 29.6mm 102667: 2000mm x 95mm x 40mm
		Corner - 80501: 2000mm x 16mm x 16mm 97737: 2000mm x 30mm x 30mm 102668: 2000mm x 61mm x 61mm	

Installation for Surface / Recessed / Bendable / Corner

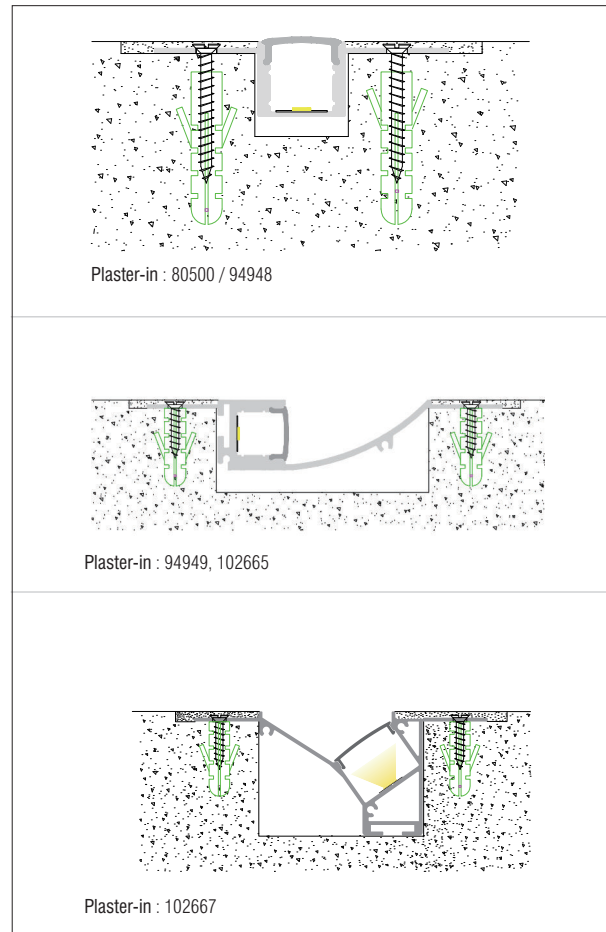
- Choose an ideal place to mount the profile.
- Remove the 4 brackets from the fixing pack.
- Using the brackets as templates, mark and drill the position of the fixing holes.
- Ensure the mounting structure is capable of holding the weight of the product. Take care to avoid damaging any concealed wiring and pipes.
- Attach both brackets to the chosen mounting surface using the plastic plugs and screws (not supplied) according to the following installation diagram.
- Remove the backing off of the chosen LED module strip and stick down inside the aluminium profile.
- Attach diffuser to the profile, sliding into the profile grooves.
- Place end caps onto the ends of the fitting.
- Push profile onto the brackets to secure.
- Your fitting is now ready for use.

Installation for Plaster-in

- Using the aluminium profile as templates, mark and drill the position of the fixing holes.
- Ensure the mounting structure is capable of holding the weight of the product. Take care to avoid damaging any concealed wiring and pipes.
- Remove the backing off of the chosen LED module strip and stick down inside the aluminium profile.
- Attach diffuser to the profile, sliding into the profile grooves.
- Place end caps onto the ends of the fitting.
- Push the aluminum profile into the existing groove.
- Then use the plastic plugs and screws (not supplied) to fix the aluminum profile to the wall.
- Cemented the sides of the aluminum profile.



* Product images may vary.



* Product images may vary.

Care and Safety

We recommend cleaning with a soft dry cloth. Do not use solvents or abrasive cleaners as these could damage the finish.
For your safety, always switch off the power supply before changing lightbulbs, or cleaning.