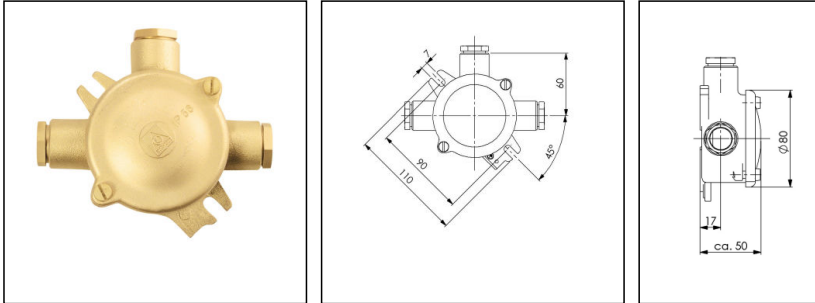



1152-3xZ14

HNA Junction box



Products may differ in size, colour and appearance to those shown. If you require further information or customisation, please contact us directly.



| | |
|----------------------------------|---|
| WISKA-Order no. | 10010499 |
| Type | 1152-3xZ14 |
| Voltage | 500 V |
| Current | 16 A |
| Protection class | IP56 |
| Material | Brass |
| Material cable gland | Brass |
| Using for cable gland |  |
| Type of cable gland | M 24 x 1,5 |
| Ø cable diameter min | 12 mm |
| Ø cable diameter max | 14,5 mm |
| Type of cable | armoured |
| External dimensions LxWxH | 120x100x50mm |
| Mounting | Surface mounting |
| Temp. range min | -25 °C |
| Temp. range max | 45 °C |
| Rated cross section | 2,5 mm ² |
| Equipment | Clamp |
| Terminals/poles | 4-pole, 2,5 mm ² |
| Operational areas | Outdoor, Engine room, Indoor work space |
| Norm | DIN 89250 |
| Weight | 0,78 kg |
| Variations | on request |
| Tariff number | 85369010 |

Your Contact:

WISKA UK Ltd.

Unit 7, Hurling Way · St. Columb Major Business Park · TR9 6SX, St. Columb Major, Cornwall · Great Britain

☎ +44-12-08816062 · 📠 +44-12-08816708

info@wiska.co.uk · www.wiska.co.uk

Spare parts

| | |
|--------------------------------|----------|
| SP-181/4 Terminal block | 22000352 |
| SP-HNA Cover sealing | 22000838 |

07.04.2023

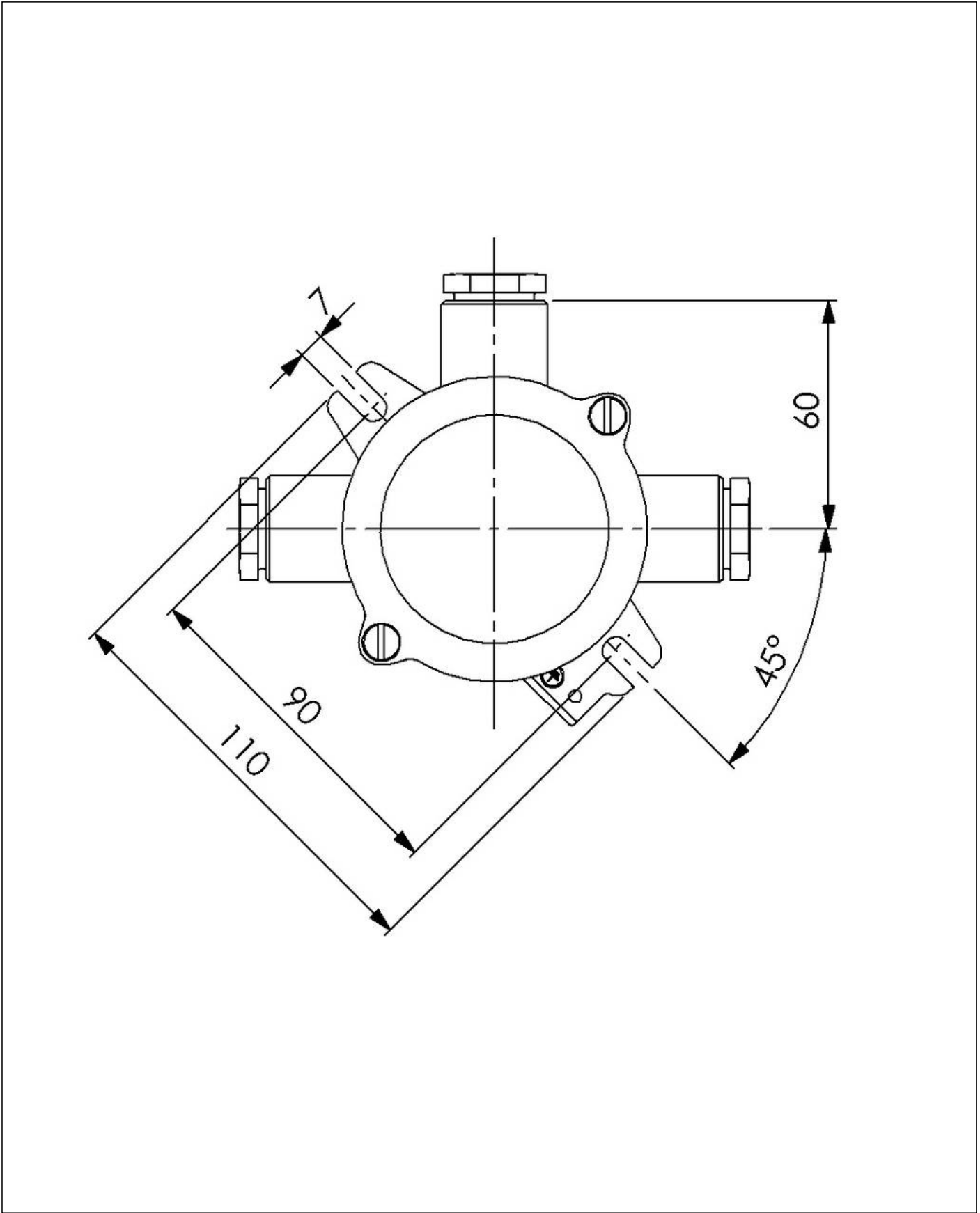
Your Contact:

WISKA UK Ltd.

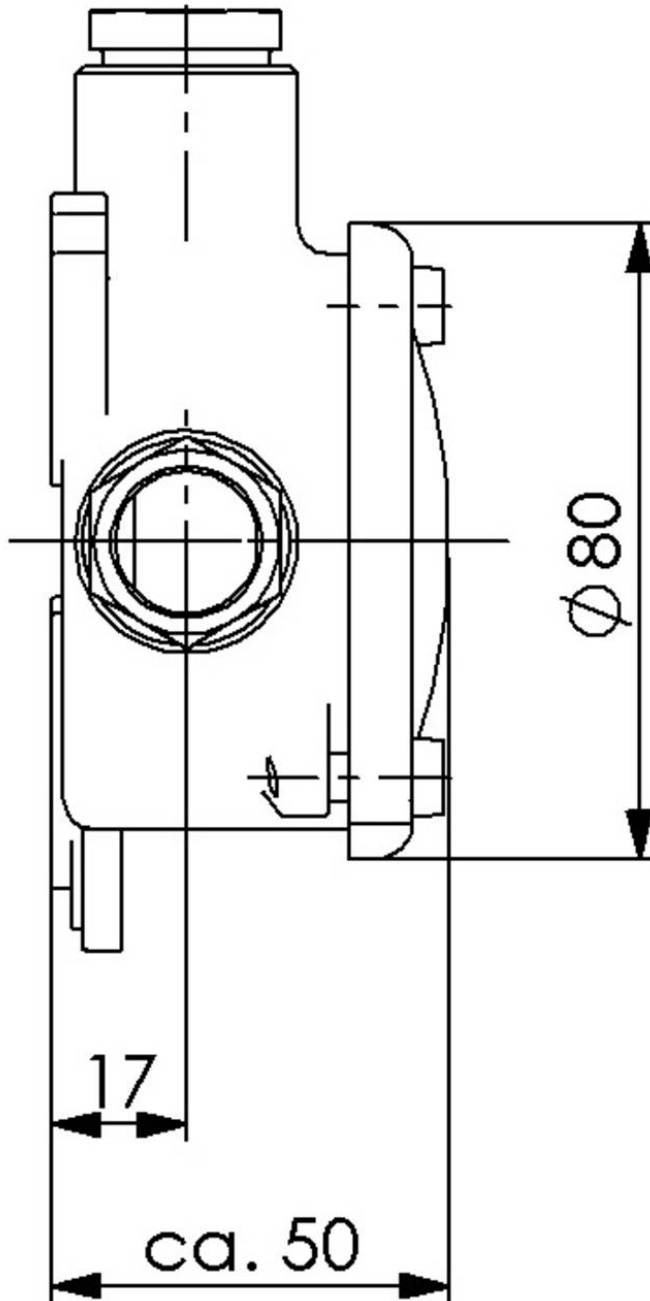
Unit 7, Hurling Way · St. Columb Major Business Park · TR9 6SX, St. Columb Major, Cornwall · Great Britain

☎ +44-12-08816062 · 📠 +44-12-08816708

info@wiska.co.uk · www.wiska.co.uk



Your Contact:
WISKA UK Ltd.
Unit 7, Hurling Way · St. Columb Major Business Park · TR9 6SX, St. Columb Major, Cornwall · Great Britain
☎ +44-12-08816062 · 📠 +44-12-08816708
info@wiska.co.uk · www.wiska.co.uk



Your Contact:

WISKA UK Ltd.

Unit 7, Hurling Way · St. Columb Major Business Park · TR9 6SX, St. Columb Major, Cornwall · Great Britain

☎ +44-12-08816062 · 📠 +44-12-08816708

info@wiska.co.uk · www.wiska.co.uk