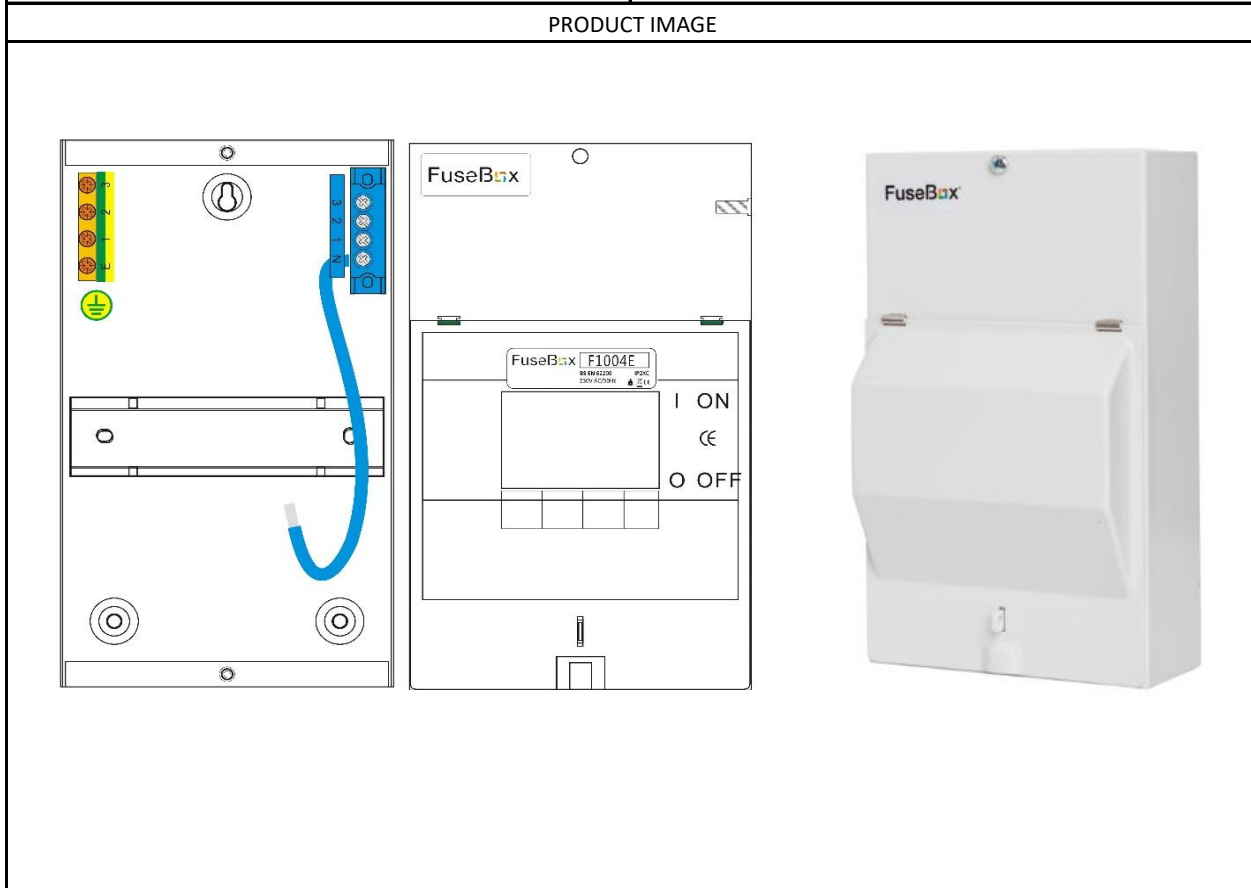


	<p>BARCODE</p>  <p>5 060523 520541</p> <div style="display: flex; justify-content: space-around; align-items: center;"> <div style="text-align: center;">  </div> <div style="text-align: center;">  </div> </div> <div style="display: flex; justify-content: space-around; align-items: center; margin-top: 10px;">   </div>
<p>CONSUMER UNIT F1004E</p>	



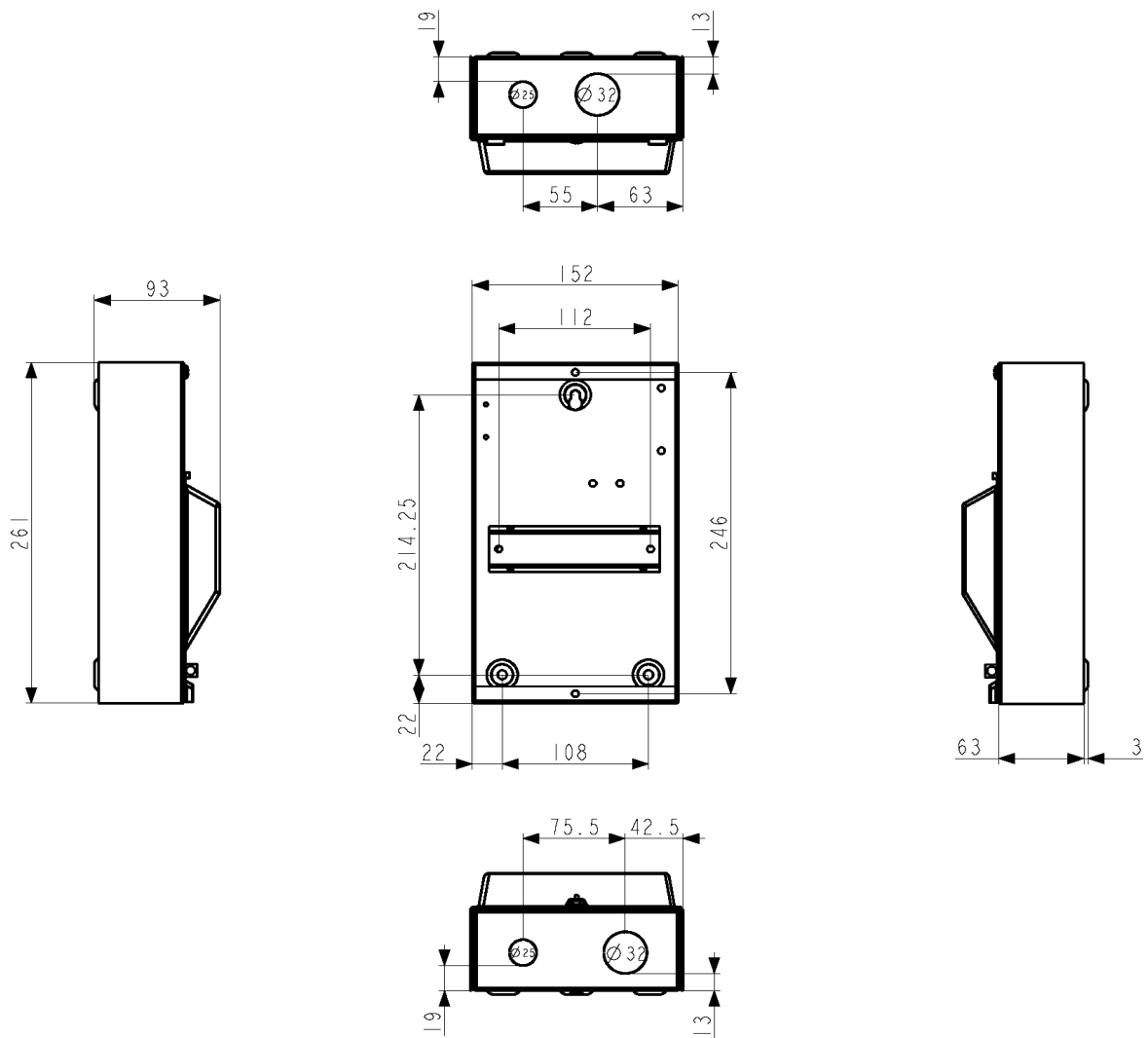
PRODUCT DATA

PART NUMBER	F1004E
BARCODE	5060523520541
DESCRIPTION	4 MOD ENCLOSURE (N cable & busbar)
IP RATING	2XC
DIMENSIONS (mm)	261H x 152W x 93D
STANDARD	BS EN 62208
KNOCKOUTS	1x 25mm & 1x 32mm top and bottom
MATERIAL	1mm ELECTRO GALVANISED STEEL (ZINC)
FINISH	SMOOTH WHITE EPOXY POWDER FINISH TO RAL9001
INNER CARTON QUANTITY	1
OUTER CARTON QUANTITY	10
ORIGIN OF MANUFACTURE	CHINA




sales@fusebox.co.uk

DIMENSIONS



FuseBox®