



NFC Handheld devices



EasyNFC app



EasyNFC app



SELV IP66



Features:

- Constant voltage/ PWM Output (NFC regulation)
- DALI & Push dimming function
- AC input: 200-240VAC
- Built-in active PFC function
- Efficiency up to 89%
- Protections: Short circuit/ Over load/ Over temperature
- Cooling by free air convection
- IP66 design for indoor and outdoor installation.
- Suitable for intelligent LED lighting

Models

ELED-100-12DP2

ELED-100-24DP2

ELED-100-48DP2

Output Specifications

Output Voltage	12V (12-13.5V adjust by NFC)	24V (24-26V adjust by NFC)	48V (48-50V adjust by NFC)
Voltage Tolerance	± 0.5%		
Output Current	8.34A	4.17A	2.085A
Rated Power	100W		
Load Regulation	± 2%		

Input Specifications

Input Voltage	100-277VAC		
Frequency Range	47-63Hz		
Inrush Current	59A (Twidth=210µs 230VAC)		
Full Load Efficiency (Typ.)	87%		86.4%
AC Current (Max.)	0.8A		
Leakage Current	<0.50mA		
Power Factor	PF≥0.98@120VAC PF≥0.96@230VAC PF≥0.95@277VAC (Full loading)		

Protection

Short Circuit	Constant current mode, recovers automatically after fault condition is removed
Over Loading	≤120% constant current limiting, recovers automatically after fault condition is removed
Over Temperature	100°C± 10°C
Protection Class	I

Environment

Working Temperature	-40~+60°C (Refer to derating curve)
Working Humidity	20-95% RH, non-condensing

Safety & EMC

Storage Temperature, Humidity	-40~+80°C, 10-95% RH
Temperature Coefficient	±0.03%/°C (0-50°C)
Vibration	10-500Hz, 5G 10min./ 1 cycle, period for 60min.each along X, Y, Z axes

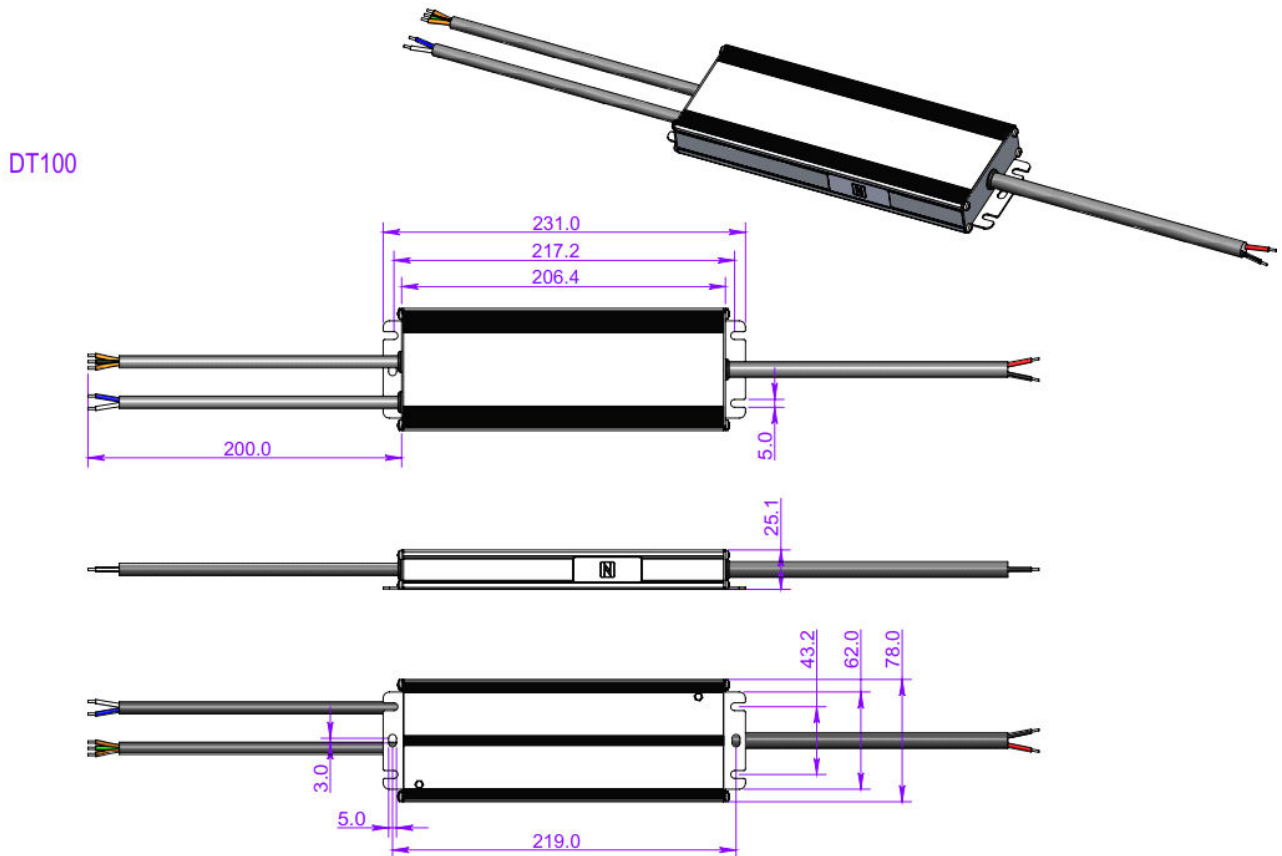
Safety & EMC

Safety standards	EN61347-1, EN61347-2-13, EN62493, IP66
Withstand voltage	I/P-O/P:3.75KVAC I/P-FG:1.88KVAC O/P-FG:0.5KVAC
Isolation resistance	I/P-O/P I/P-FG O/P-FG: 100MΩ/500VDC/25°C/70%RH
EMC Emission	Compliance to EN55015, EN61000-3-2, EN61000-3-3 (≥60% load)
EMC Immunity	Compliance to EN61000-4-2,3,4,5,6,11, EN61547

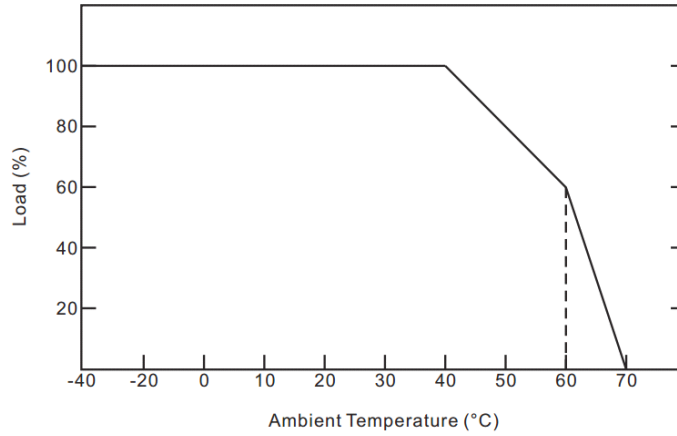
Other Specifications

Weight	0.83 Kg
Size	231x 78 x 25.1 mm
Packing	355 x 300 x 170 mm (20PCS/CTN, 18 Kg/CTN))

Mechanical Specifications

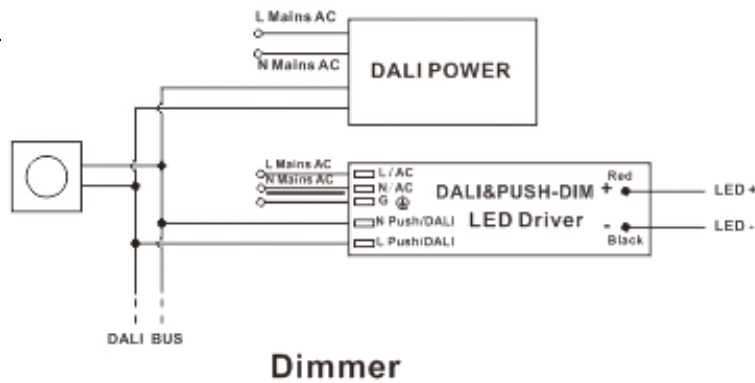


Derating Curve

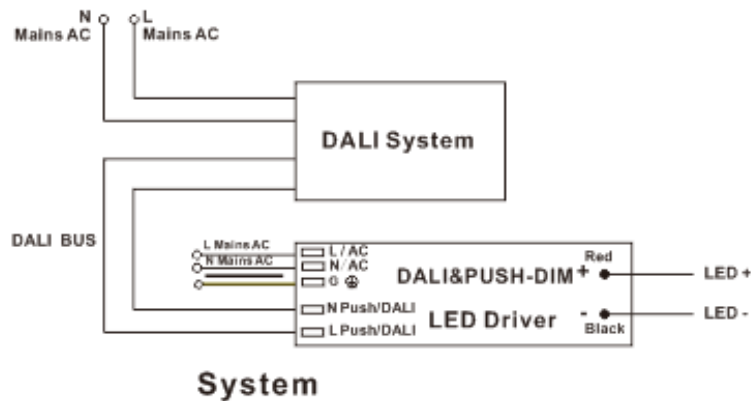


Dimming Operation

DALI Dimming Wiring Diagram1

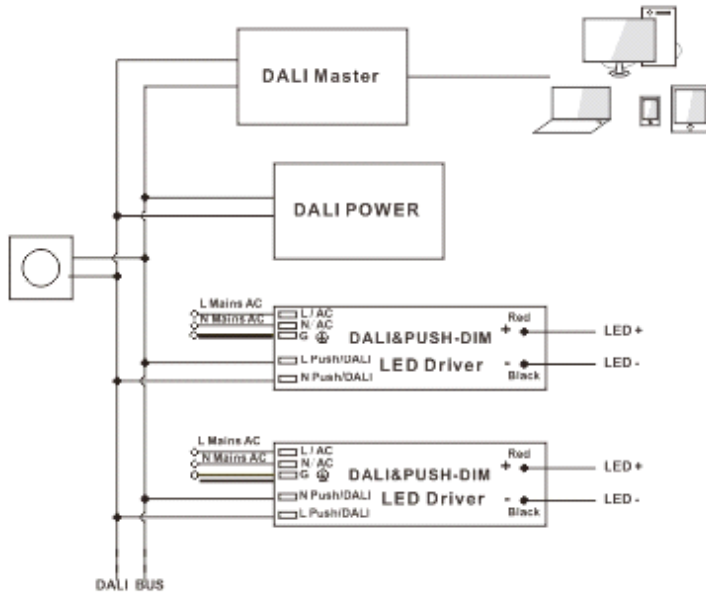


DALI Dimming Wiring Diagram2



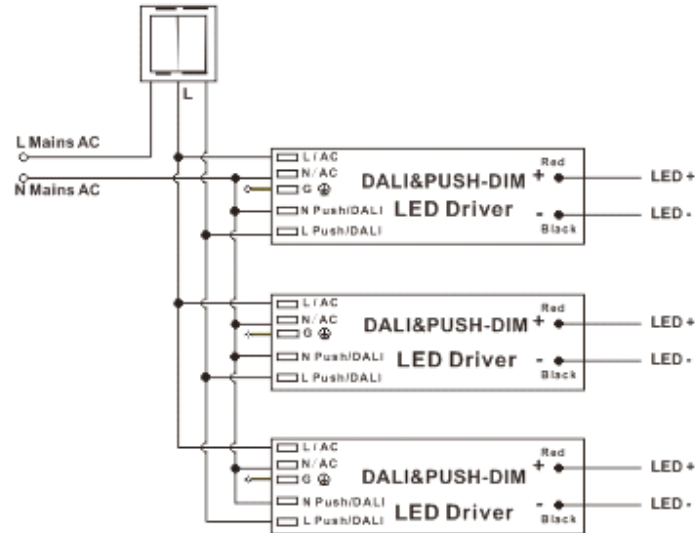
Dimming Operation

DALI Dimming Wiring Diagram 3



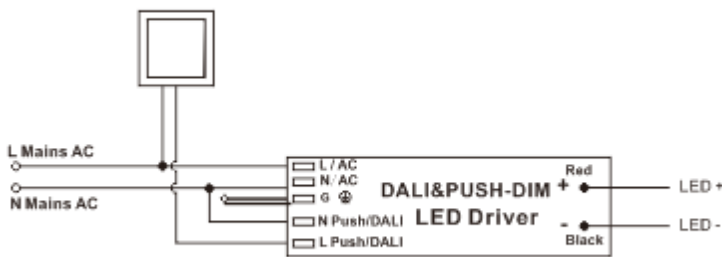
PC+DALI Master+DIMMER

Push-Dimming Wiring Diagram 1



Dimmer (with ON/OFF function)

Push-Dimming Wiring Diagram 2



Dimmer

※Note: For DALI Dimming Wiring Diagram 3, please noted that only one DALI power is need in the DALI bus, so no extra DALI power is needed if the Master or Dimmer already includes the DALI Power.