



WMRC Data Sheet

Description and Features

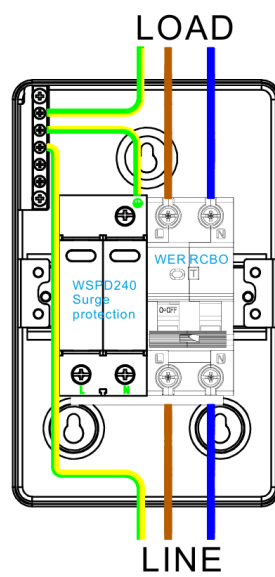
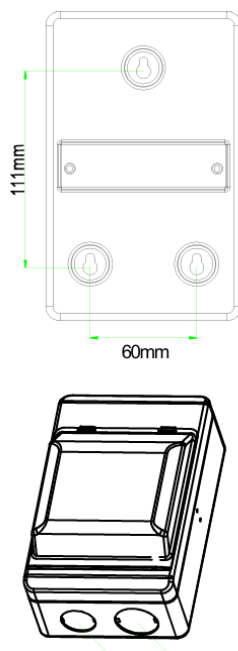
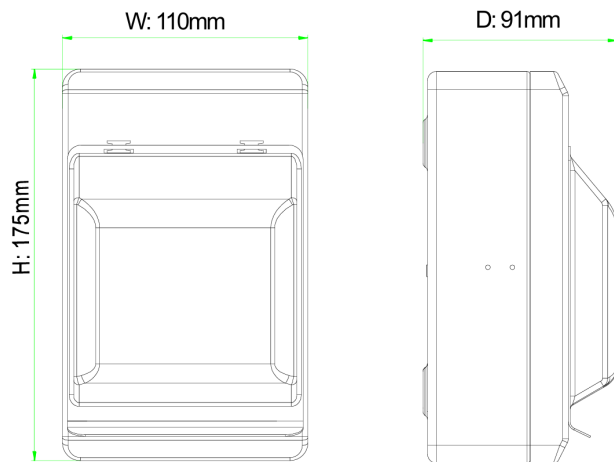
WMRC enclosure are finished in white polyester powder coating. Including multiple circular cable entry knock-outs (25&32mm) on the top and bottom. It is ideal for electrical vehicle installations. Twin handle system for the bi-directional RCBO, with the black handle controlling the MCB function, while the white handle controls the RCD function. If only the black handle trips, it indicates overload or short circuit. If both the white and black handle trip, it will indicate residual current fault. This will assist an electrician to solve the electrical fault quickly, saving time and money.

Technical Data

Standard	BSEN61439-3 BSEN61009-1 BSEN61643-11
Number of modules	4
Rated voltage	230V
Rated current	According to the rated current of RCBO
Frequency	50Hz
Cable entry	Selection of knockouts
Incoming terminal capacity	35mm ² max
Terminal type	Cage clamp
Protection class IP rating	IP40
Surge protection	Type 2
Visual indication of surge protection	Green=Good Red=Replace
Device mounting	35mm din rail
Ambient temperature	-25°C ----- +40°C

Customer Information

In line with the current BS7671 wiring regulations, the test button (T) must be operated monthly. If unit fails please consult your installer. In the event of the unit tripping, return handles to the on position. If they continue to trip or fail to reset please consult your installer.



OR

