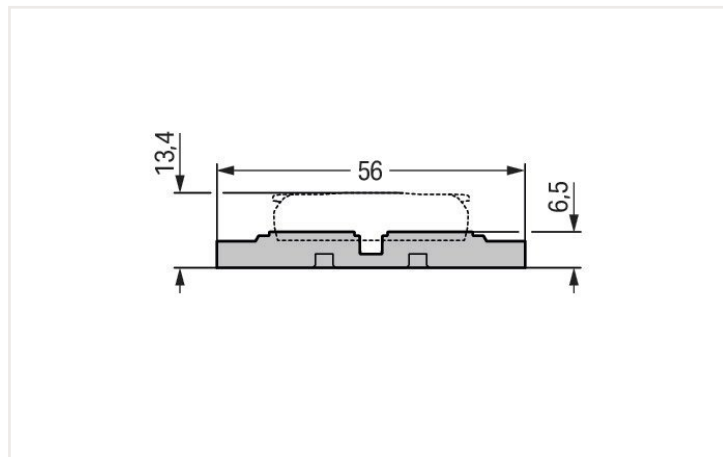
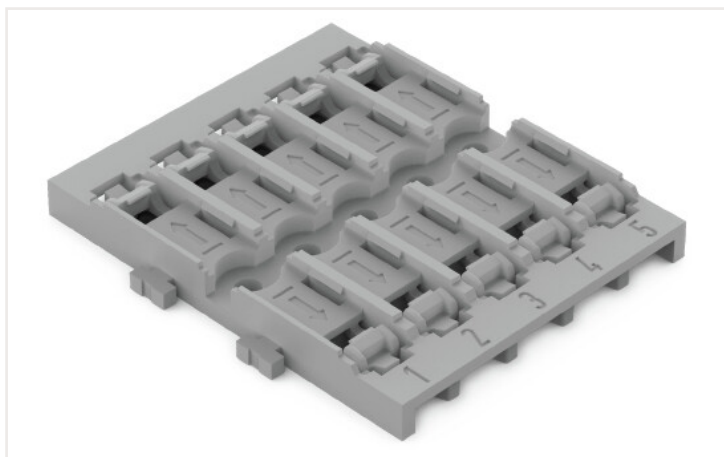


Data sheet | Item number: 221-2525

Mounting carrier; 5-way; for inline splicing connector with lever; for screw mounting;
gray

<https://www.wago.com/221-2525>



Physical data

Width	47.8 mm / 1.882 inches
Height from the surface	6.5 mm / 0.256 inches
Depth	56 mm / 2.205 inches

Material data

Note (material data)	Information on material data can be found here
Color	gray
Fire load	0.219 MJ
Weight	7.3 g