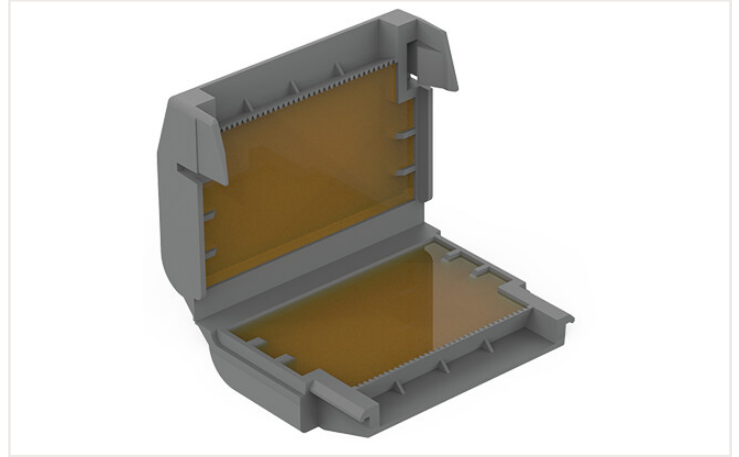


Data sheet | Item number: 207-1432

Gelbox; for cables; Branch; with gel; 221 Series; max. 6 mm² connectors; without splicing connectors; Size 2; gray

<https://www.wago.com/207-1432>



Note on Packaging Unit (PU) and Subpackaging Unit (SPU):

If you order a full PU, you will receive our eco-friendly, sustainable cardboard blisters packed in a shelf-ready box.

If you order a quantity smaller than a full PU, you will receive the eco-friendly, sustainable cardboard blisters without a shelf-ready box.

Please refer to the system description for the splicing connectors that can be used.

Your benefits:

- Easy, fast and safe to use
- Can be used immediately and accessed again later
- Silicon-free
- Label-free
- Suitable for indefinite storage
- The complete system consisting of WAGO's gelboxes and splicing connectors has been VDE-tested and IPX8-certified.

Connection data

Connection 1

Actuation type	Locking system
----------------	----------------

Physical data

Width	40.1 mm / 1.579 inches
Height	21.3 mm / 0.839 inches
Depth	49.4 mm / 1.945 inches

Mechanical data

Mounting type	Flying leads
---------------	--------------

Material data

Note (material data)	Information on material data can be found here
Color	gray
Housing material	Polypropylene
Fire load	0 MJ
Weight	25.5 g

Environmental requirements

Ambient temperature (operation)	-55 ... +85 °C
Surrounding air temperature (storage)	0 ... +40 °C