

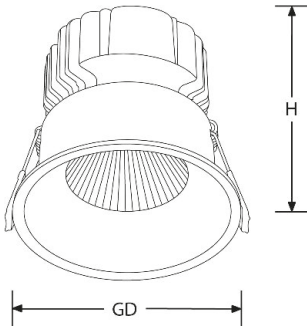


**Product Description:** CurveE™ 15W IP44 Fixed Baffled Downlight

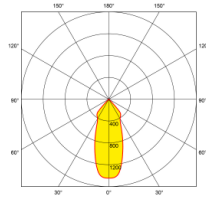
Following the popularity of the CurveE™ range, the new CurveE™ provides an option of a fixed or adjustable 15W version, whilst also providing a CRI90 light source meaning a superior true colour representation. These low glare downlights have a sleek baffled design with the light source recessed back to reduce glare, ideal non-fire rated solution for hospitality and residential applications in areas where fire rating is not required.

SKU Code	Wattage	Colour	Lumens	Lumens/Watt	Beam Angle	Finish Colour	SKU Type
EN-DLB152D/30	15	3000	1100	74	45	Matt White	Triac Dimmable
EN-DLB152D/40	15	4000	1200	80	45	Matt White	Triac Dimmable
EN-DLB152DDA/30	15	3000	1100	74	45	Matt White	DALI Dimmable
EN-DLB152DDA/40	15	4000	1200	80	45	Matt White	DALI Dimmable
EN-DLB152DV/30	15	3000	1100	74	45	Matt White	1-10V Dimmable
EN-DLB152DV/40	15	4000	1200	80	45	Matt White	1-10V Dimmable

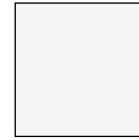
## Line Drawing



## Polar Curve



## Colour



Matt White

## Product Features:

- Baffled design with the light source recessed to reduce glare
- CRI90 for superior colour representation
- Delivering up to 80lm/W
- IP44 rated from the front
- 45° beam angle for focused light distribution
- Remote triac dimmable constant current LED driver supplied
- Matt White finish
- 5 Year Warranty

## Product Specs:

Input Voltage	220~240V AC	Power Factor	0.85
IP Rating	IP44	Lifetime L70 (hrs)	50000
Lifetime L80 (Hours)	50000L80B50	IK Rating	IK02
Lamp Base	None	Overall Diameter (mm)	98
Weight (Kg)	0.458	Height (mm)	90
Product Type	Downlights	Cutout Diameter (mm)	90-95
Operating Temp. (Min) °C	-20°C	Operating Temp. (Max) °C	45°C

## Compliance & Approvals:



## Warranty:

This product has a warranty period of 5 Years. Warranties may be available on certain products as indicated in the product description. Warranties are valid from the date of purchase. The warranty is invalid in the case of improper use, installation, tampering, removal of the Q.C. date label or installation in an improper working environment or installation. Should this product fail during the warranty period it will be replaced free of charge, subject to the correct installation of the original product and subsequent return of the faulty unit. Aurora does not accept responsibility for any installation costs associated with the replacement of this product and Aurora reserves the right to alter specifications without prior notice.