

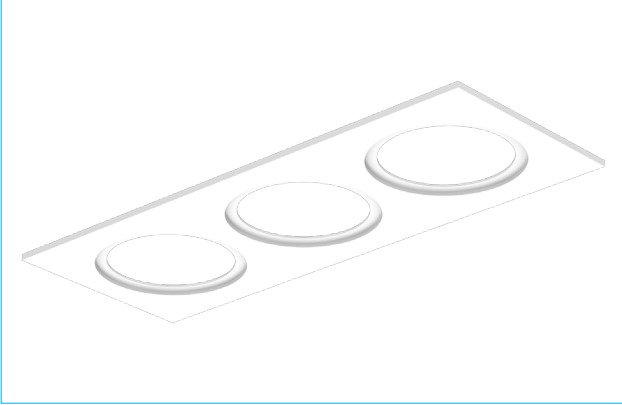
TECHNICAL DATASHEET

AFD75/M/03

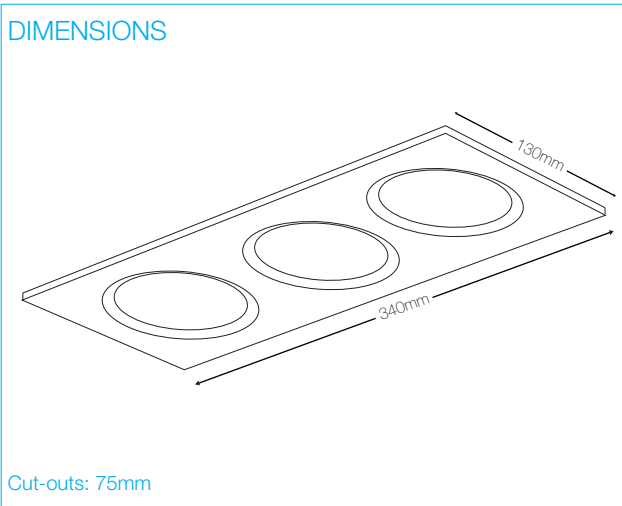
iCan75 Trio Multiple Plate for iCan75

PRODUCT FEATURES

- Polar White Powder Coat Finish
- Compatible with iCan75



DIMENSIONS



PRODUCT CODE	AFD75/M/03
Guarantee	Life Time
Material	Aluminium
Cutout	Ø75mm
Colour/Finish	Polar White