

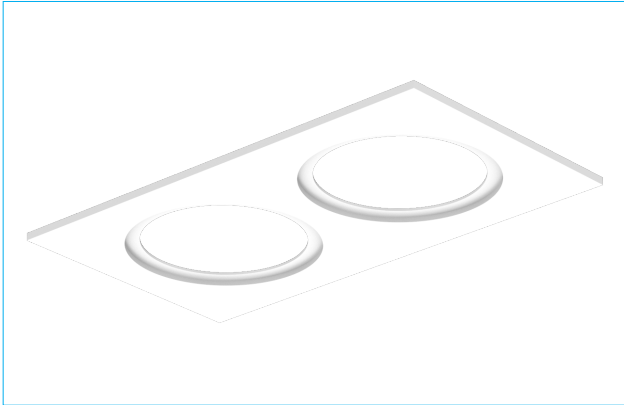
TECHNICAL DATASHEET

AFD75/M/02

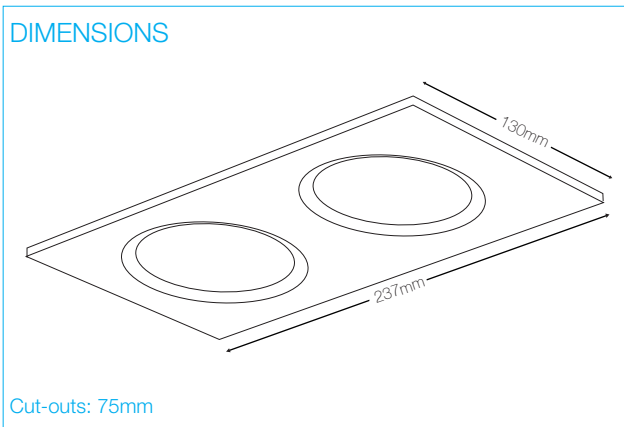
iCan75 Duet Multiple Plate for iCan75

PRODUCT FEATURES

- Polar White Powder Coat Finish
- Compatible with iCan75



DIMENSIONS



PRODUCT CODE	AFD75/M/02
Guarantee	Life Time
Material	Aluminium
Cutout	Ø75mm
Colour/Finish	Polar White