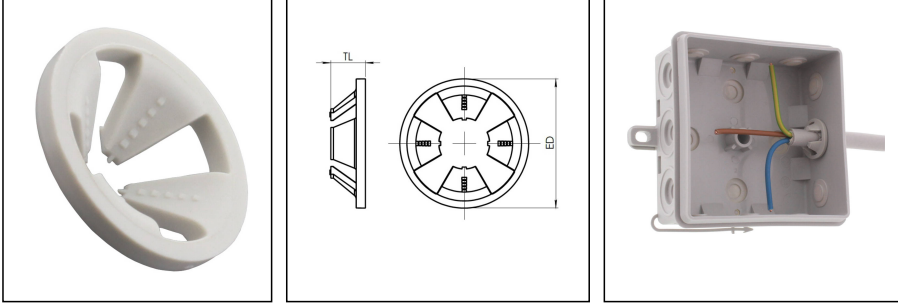


## ZER 4-12 LG

Strain relief ring, polycarbonate, RAL 7035



Products may differ in size, colour and appearance to those shown. If you require further information or customisation, please contact us directly.



<b>Material</b>	PC + ABS-Blend V0
<b>Product Color</b>	RAL 7035
<b>Temp. range min</b>	-30 °C
<b>Temp. range max</b>	100 °C
<b>Ø cable diameter min</b>	4 mm
<b>Ø cable diameter max</b>	12 mm
<b>External diameter ED</b>	19 mm
<b>Total length TL</b>	5,5 mm
<b>Type</b>	ZER 4-12 LG
<b>WISKA-Order no.</b>	10109800
<b>Packing unit</b>	10
<b>EAN number</b>	4007686101980
<b>Tariff number</b>	39269097

20.04.2022

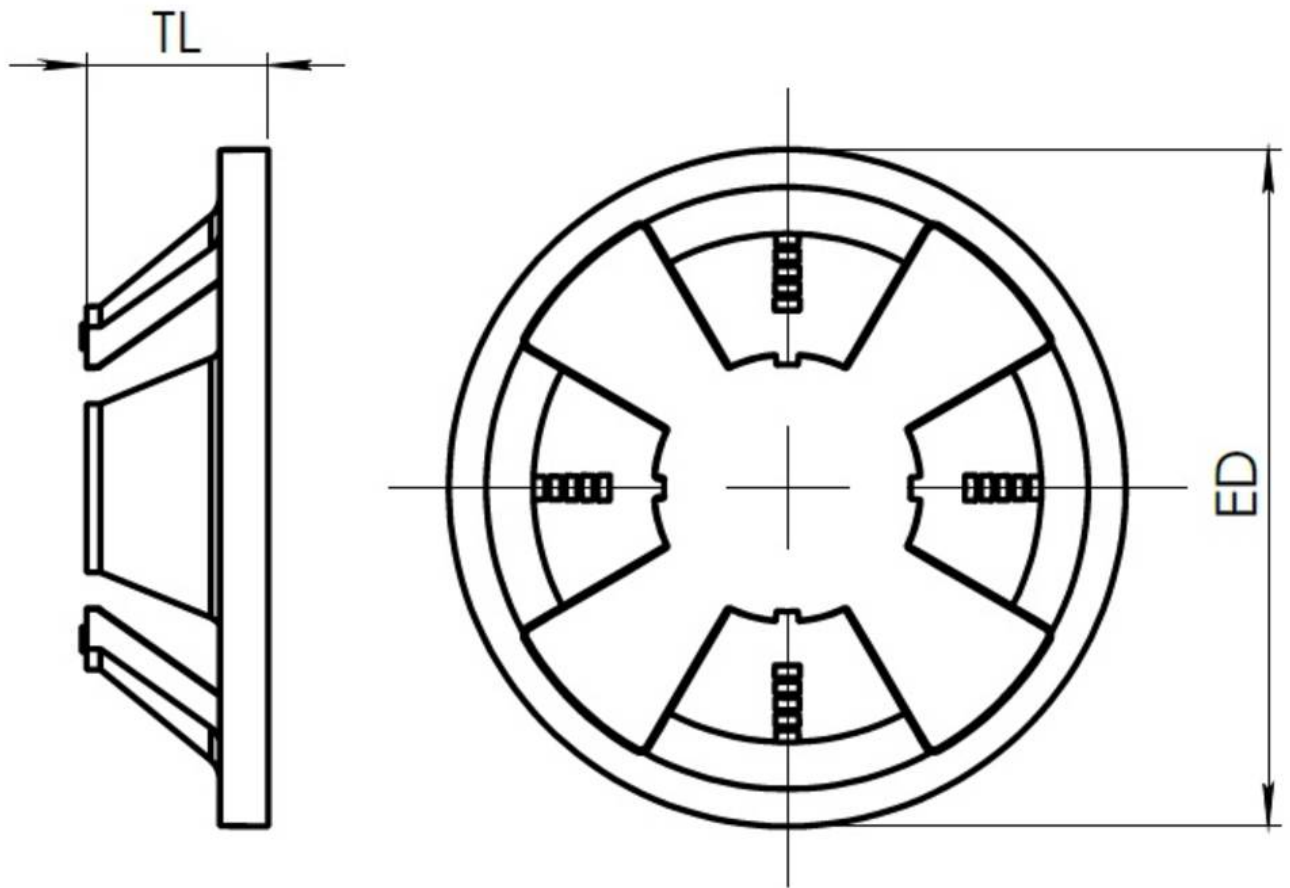
Your Contact:

**WISKA UK Ltd.**

Unit 7, Hurling Way · St. Columb Major Business Park · TR9 6SX, St. Columb Major, Cornwall · Great Britain

 +44-12-08816062 ·  +44-12-08816708

info@wiska.co.uk · www.wiska.co.uk



Your Contact:

**WISKA UK Ltd.**

Unit 7, Hurling Way · St. Columb Major Business Park · TR9 6SX, St. Columb Major, Cornwall · Great Britain

☎ +44-12-08816062 · 📠 +44-12-08816708

info@wiska.co.uk · www.wiska.co.uk