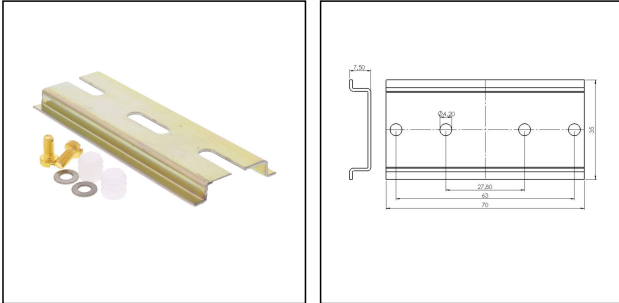


## DIN Rail Kit - COMBI 407/TS 35

DIN Rail kit for installation of terminals



Products may differ in size, colour and appearance to those shown. If you require further information or customisation, please contact us directly.

<b>Material</b>	Steel
<b>Type</b>	DIN Rail Kit - COMBI 407/TS 35
<b>WISKA-Order no.</b>	10105605
<b>Packing unit</b>	1
<b>EAN number</b>	4007686010893
<b>Tariff number</b>	39269097

Remarks:

Rail TS 35 + fixing material

20.04.2022

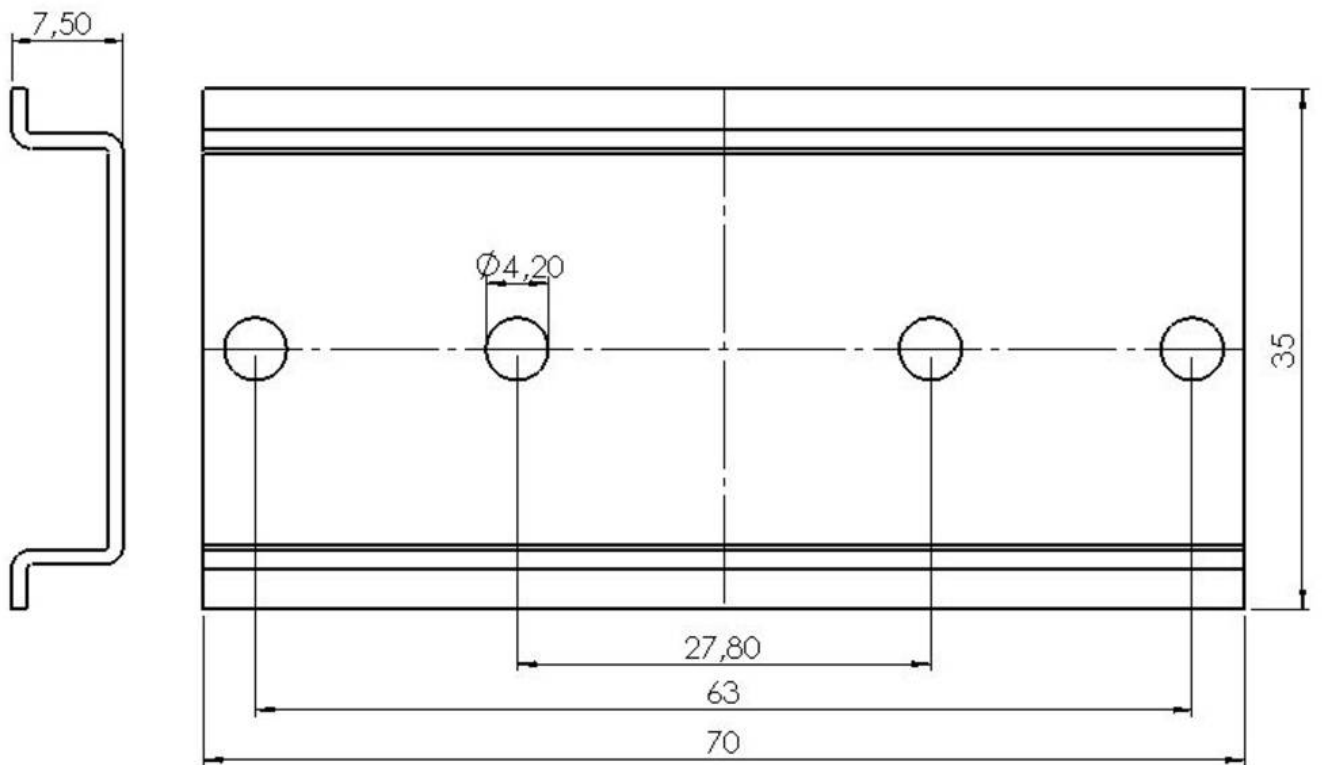
Your Contact:

**WISKA UK Ltd.**

Unit 7, Hurling Way · St. Columb Major Business Park · TR9 6SX, St. Columb Major, Cornwall · Great Britain

☎ +44-12-08816062 · 📠 +44-12-08816708

info@wiska.co.uk · www.wiska.co.uk



Your Contact:

**WISKA UK Ltd.**

Unit 7, Hurling Way · St. Columb Major Business Park · TR9 6SX, St. Columb Major, Cornwall · Great Britain

☎ +44-12-08816062 · 📠 +44-12-08816708

info@wiska.co.uk · www.wiska.co.uk