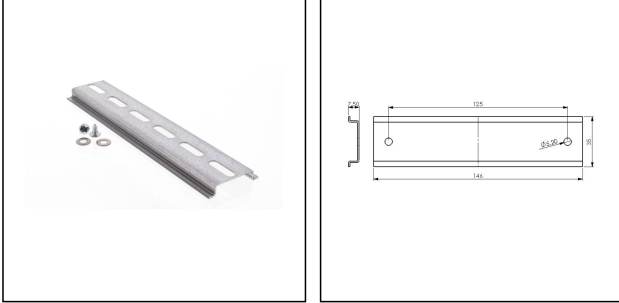


## DIN Rail Kit - COMBI 1210

DIN Rail kit for installation of terminals



Products may differ in size, colour and appearance to those shown. If you require further information or customisation, please contact us directly.

<b>Material</b>	Steel
<b>Type</b>	DIN Rail Kit - COMBI 1210
<b>WISKA-Order no.</b>	10101478
<b>Packing unit</b>	1
<b>EAN number</b>	4007685038195
<b>Tariff number</b>	39269097

Remarks:

rail TS35 + fixing material

20.04.2022

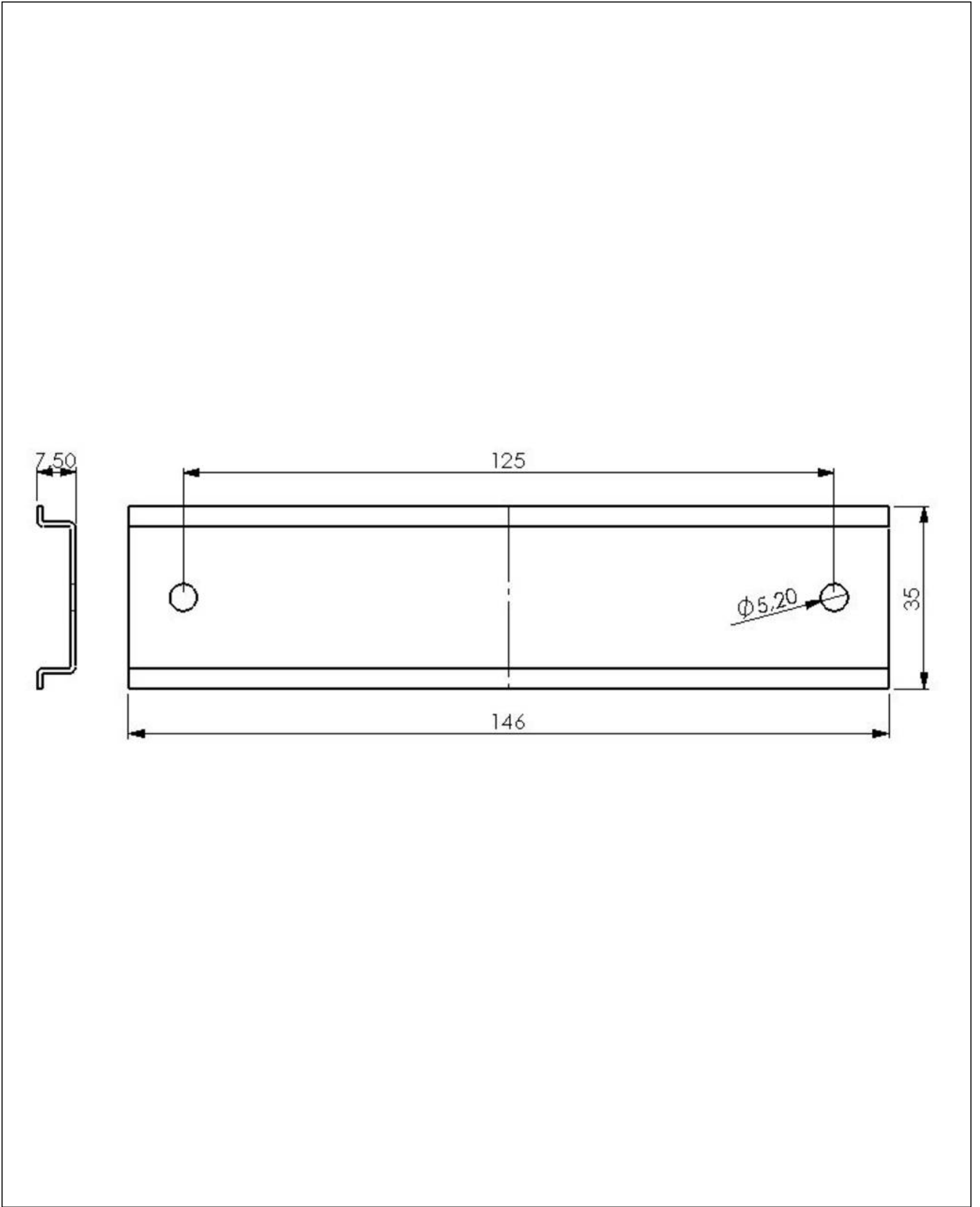
Your Contact:

**WISKA UK Ltd.**

Unit 7, Hurling Way · St. Columb Major Business Park · TR9 6SX, St. Columb Major, Cornwall · Great Britain

☎ +44-12-08816062 · 📠 +44-12-08816708

info@wiska.co.uk · www.wiska.co.uk



Your Contact:

**WISKA UK Ltd.**

Unit 7, Hurling Way · St. Columb Major Business Park · TR9 6SX, St. Columb Major, Cornwall · Great Britain

☎ +44-12-08816062 · 📠 +44-12-08816708

info@wiska.co.uk · www.wiska.co.uk