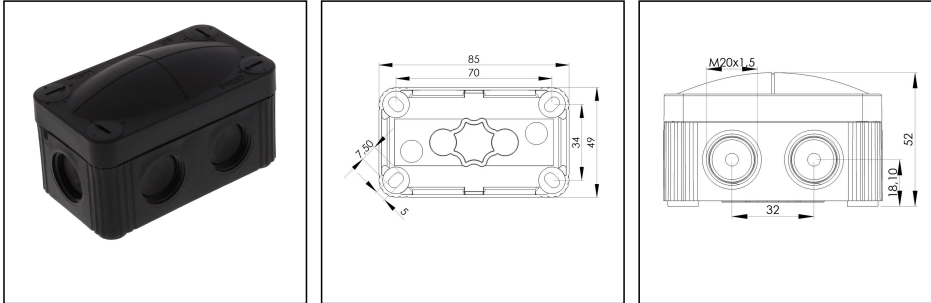



## COMBI 206 BK

Junction box 85x49x51mm, plastic, RAL 9005



Products may differ in size, colour and appearance to those shown. If you require further information or customisation, please contact us directly.



<b>Material</b>	Polypropylene
<b>Material sealing gasket</b>	TPE
<b>Temp. range min</b>	-30 °C
<b>Temp. range max</b>	100 °C
<b>Temperatures during install.</b>	-5 °C - 60 °C
<b>Protection class</b>	IP66 / IP67
<b>Glow wire test</b>	750 °C
<b>Voltage</b>	400 V
<b>Rated cross section</b>	1,5 mm <sup>2</sup>
<b>Fixing</b>	4 internal openings
<b>Ø cable diameter min</b>	3 mm
<b>Ø cable diameter max</b>	12 mm
<b>External dimensions LxWxH</b>	85 x 49 x 51mm
<b>Using for cable gland</b>	
<b>Product Color</b>	RAL 9005
<b>Order no. RAL 9005</b>	10109571
<b>Type</b>	COMBI 206 BK
<b>Packing unit</b>	10
<b>EAN number</b>	4007686094565
<b>Tariff number</b>	39269097
<b>ETIM-Classification</b>	EC002600

Remarks:

IP66: using the membrane entry

IP67: using the threaded entry together with ESKV cable gland

Your Contact:

**WISKA UK Ltd.**

Unit 7, Hurling Way · St. Columb Major Business Park · TR9 6SX, St. Columb Major, Cornwall · Great Britain

☎ +44-12-08816062 · 📠 +44-12-08816708

info@wiska.co.uk · www.wiska.co.uk

**Equipment:**

- 6 M20 threaded membrane entries
- 2 membrane cable entries through rear
- 4 captive cover screws

**Fixing:**

With 4 internal openings outside of the sealing area

**Recommended accessories**

<b>MP-S Mounting plate small</b>	10105774
<b>ZER 4-12 LG</b>	10109800
<b>SP-HKT 11/5 Terminal block</b>	22001132

09.04.2022

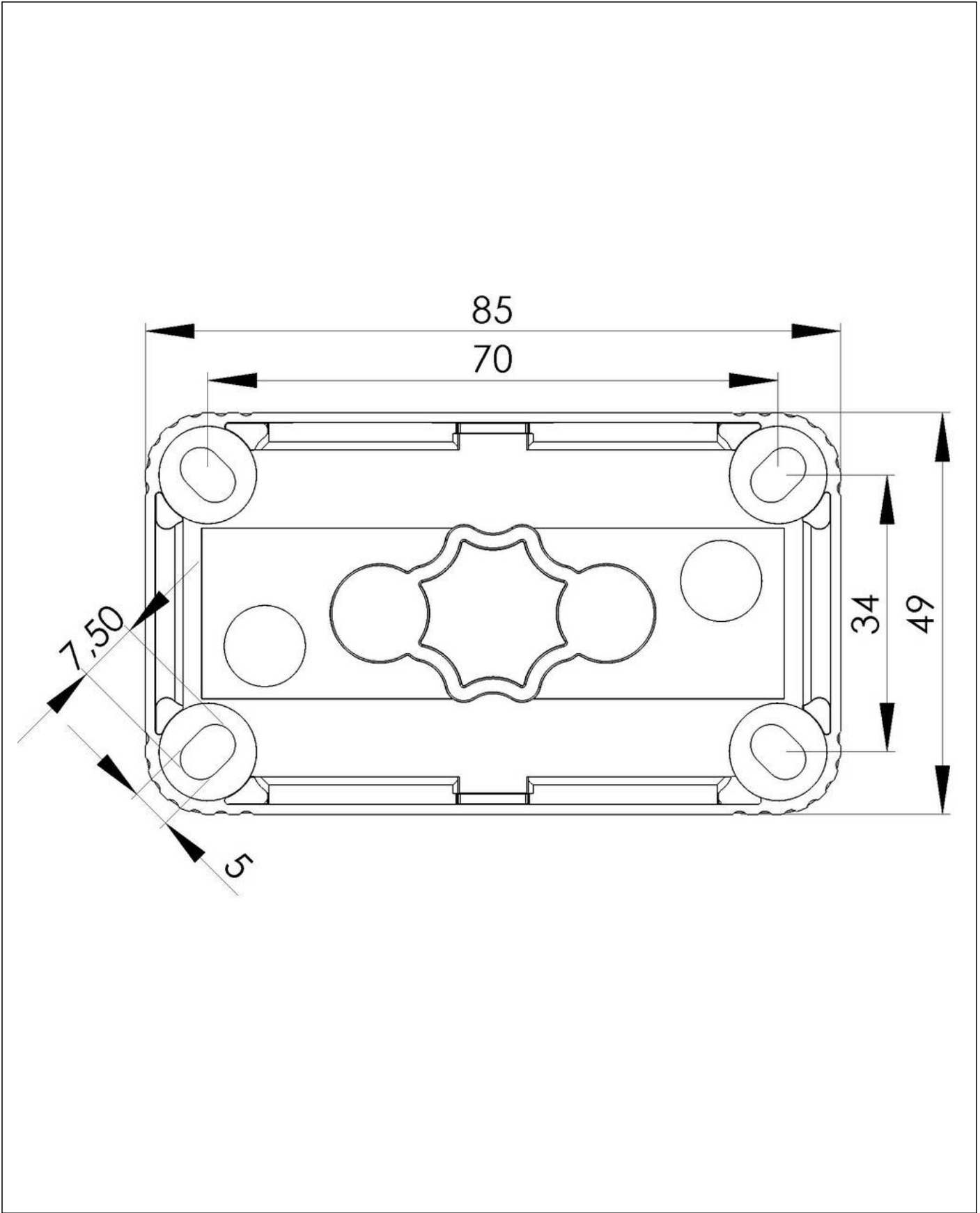
**Your Contact:**

**WISKA UK Ltd.**

Unit 7, Hurling Way · St. Columb Major Business Park · TR9 6SX, St. Columb Major, Cornwall · Great Britain

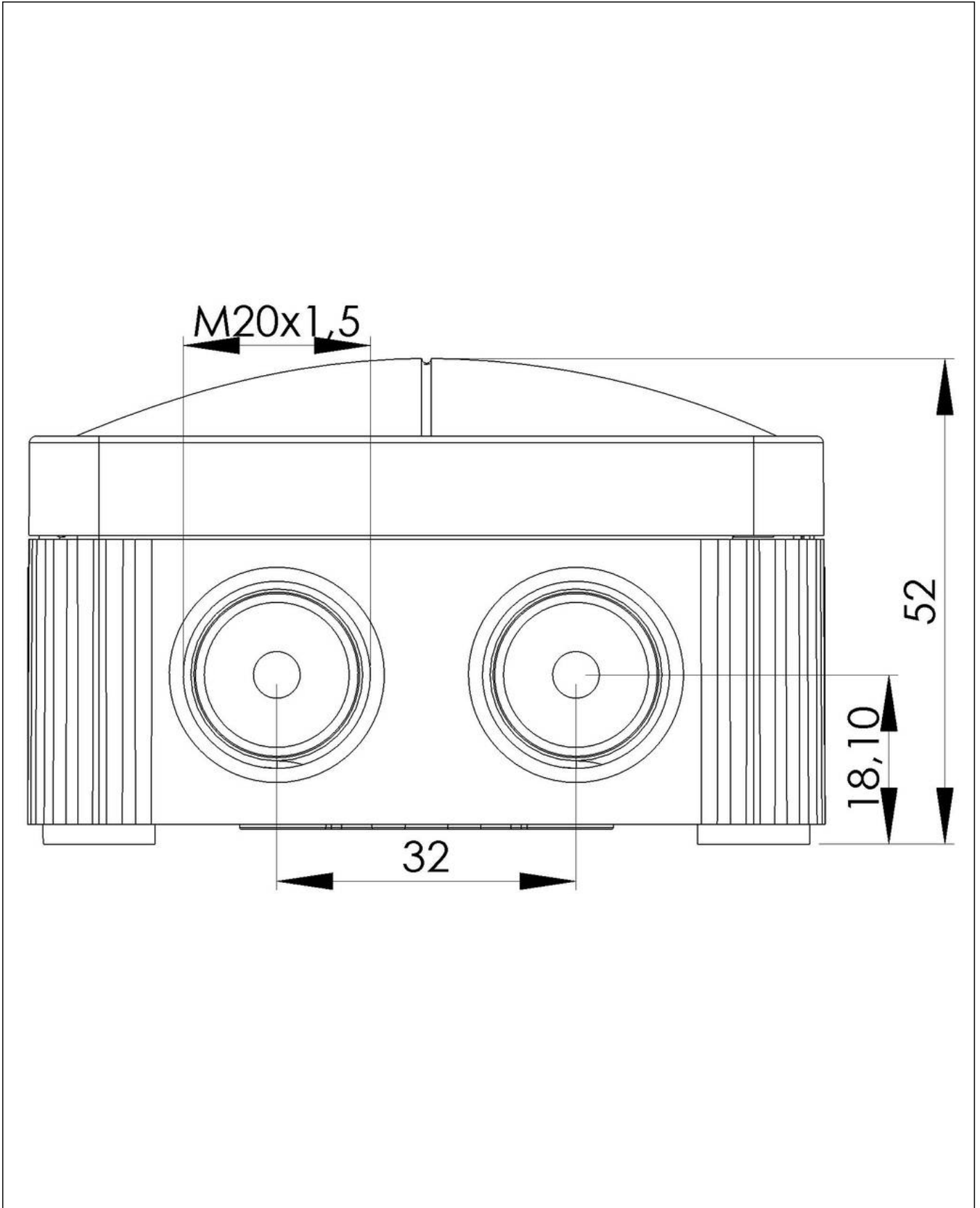
☎ +44-12-08816062 · 📠 +44-12-08816708

info@wiska.co.uk · www.wiska.co.uk



Your Contact:  
**WISKA UK Ltd.**  
Unit 7, Hurling Way · St. Columb Major Business Park · TR9 6SX, St. Columb Major, Cornwall · Great Britain  
☎ +44-12-08816062 · 📠 +44-12-08816708  
info@wiska.co.uk · www.wiska.co.uk

Other technical data on request / subject to change without notice



Your Contact:

**WISKA UK Ltd.**

Unit 7, Hurling Way · St. Columb Major Business Park · TR9 6SX, St. Columb Major, Cornwall · Great Britain

☎ +44-12-08816062 · 📠 +44-12-08816708

info@wiska.co.uk · www.wiska.co.uk