

ZD00868

JK1 Surge Protection Instructions

Instruction leaflet for fitting 125A Surge Protection

4 pole busbar to be fitted after fitting incomer and phase links (see incomer instructions).

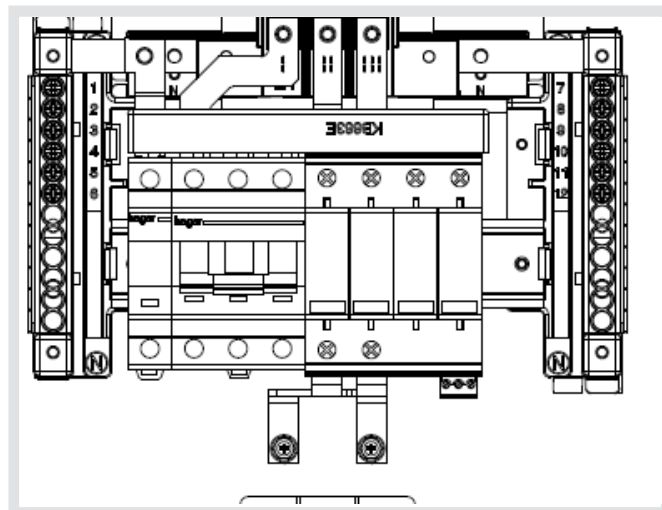
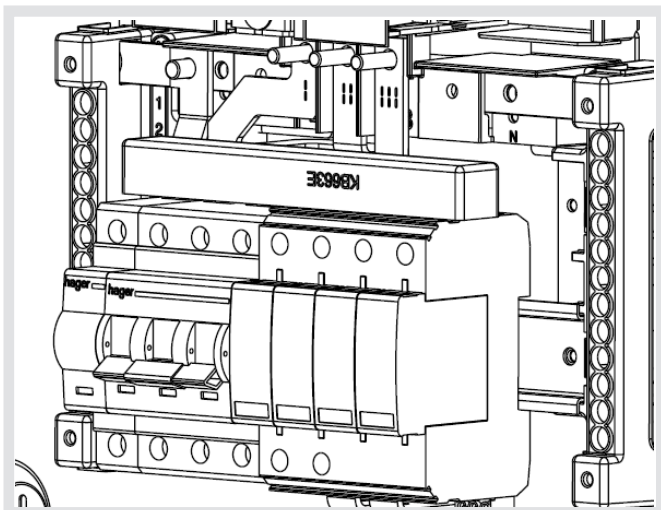
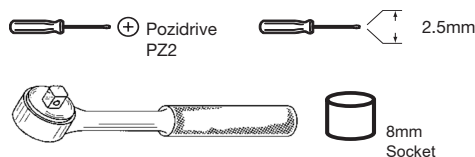
Please refer to the incomer fitting instructions for fitting of incomer links.

Ensure that all electrical connections on the incomer device are tightened to 3.5Nm.

Ensure the copper link upper connection points are tightened to 5Nm.

Parts list:

1. 1 x Type I+II or Type II Surge Protection device
2. 1 x Copper Earth Link
3. 2 x Hex head Earth screws
4. 1 x KB663E Busbar (4 pole)
5. 1 x KRN199 Terminal block
6. 1 x ZB0220 M6 Carp Nut
7. 1 x Neutral link



Clip the 4 module surge protection device to the dinrail next to the chosen incomer. (If 3 pole substitute the neutral connection block with the KRN199, copper neutral link and M6 carp nut and tighten the nut to 5Nm.

Make sure the phase links are fitted but not tightened into the incomer terminals.

Place the KB663E 4 pole busbar into the phase and neutral terminals of the main switch and tighten the main switch screws. Push the shroud of the busbar down onto the surge device making sure to keep it level and tighten all 8 screw terminals to 3.5Nm.

Place the copper earth component into the bottom two cage terminals and secure to 3.5Nm. Connect the opposite end to the enclosure using the 2 hex head high-torque screws to 3.5Nm. and fit the shroud provided with the incomer kit by cutting out the extra modules to accommodate the surge protection device.

Insulation testing

- Disconnect the protective plug before conducting insulation testing on the system. Otherwise faulty measurements are possible.
- Reinsert the protective plug into the base element after insulation testing.

The device may only be connected and installed by an electrically skilled person. National standards and safety regulations must be observed.

The device must be checked for external damage prior to installation. If any damage or other defects are detected in this check, the device must not be installed. Its use is only permitted within the limits shown and stated in the installation instructions. Opening or otherwise tampering with the device invalidates the warranty.

ZD00868