

Confirm consumer unit size in tables below, dimensions are available on page 2 & 3.

Design 30 - Surface Mounted

Switch Disconnector Incomer

Size	Cat ref. Without KO	Cat ref. with KO
2	VM202	VM202K
3	VM206	VM206K
3	VM106	VM106K
4	VM110	VM110K
5	VM114	VM114K
7	VM120	VM120K
Dual Row		
2.3	VM10606	VM10606K
2.4	VM11010	VM11010K
2.5	VM11414	VM11414K
2.7	VM12020	VM12020K

RCCB Incomer

Size	Cat ref. Without KO	Cat ref. with KO
2	VM402H	VM402HK
3	VM406H	VM406HK
3	VM306H	VM306HK
4	VM410H	VM410HK
4	VM310H	VM310HK
5	VM314H	VM314HK
Dual Row		
2.3	VM30606H	VM30606HK

Time Delayed RCCB Incomer

Size	Cat ref. Without KO	Cat ref. with KO
5	VM712TG	VM712TGK
6	VM766TG	VM766TGK

Split Load

Size	Cat ref. Without KO	Cat ref. with KO
4	VM733H	VM733HK
5	VM755H	VM755HK
6	VM766H	VM766HK
5	VM710C	VM710CK
7	VM716C	VM716CK
5	VM855H	VM855HK
6	VM866H	VM866HK
5	VM810C	VM810CK
7	VM816C	VM816CK
Dual Row		
2.3	VM746H	VM746HK
2.4	VM70810H	VM70810HK
2.5	VM71214H	VM71214HK
2.7	VM71820H	VM71820HK
2.3	VM846H	VM846HK
2.4	VM80810H	VM80810HK
2.5	VM81214H	VM81214HK
2.7	VM81820H	VM81820HK

High Integrity

Size	Cat ref. Without KO	Cat ref. with KO
5	VM710CU	VM710CUK
7	VM716CU	VM716CUK
5	VM810CU	VM810CUK
7	VM816CU	VM816CUK
5	VM754R	VM754RK
7	VM778R	VM778RK
5	VM854R	VM854RK
7	VM878R	VM878RK
7	VM8662	VM8662K
Dual Row		
2.4	VM70810CU	VM70810CUK
2.5	VM71214CU	VM71214CUK
2.7	VM71820CU	VM71820CUK
2.4	VM80810CU	VM80810CUK
2.5	VM81214CU	VM81214CUK
2.7	VM81820CU	VM81820CUK

Multi Tariff

Size	Cat ref. Without KO	Cat ref. with KO
7	VM918C	VM918CK
6	VM9651	VM9651K
Dual Row		
2.4	VM755714H	VM755714HK

Garage Board

Size	Cat ref. Without KO	Cat ref. with KO
2	VM24H	VM24HK

Design 10 - Surface Mounted

Switch Disconnector Incomer

Size	Cat ref. without KO
2	VML202
3	VML206
3	VML106
4	VML110
5	VML114
7	VML120
Dual Row	
2.3	VML10606
2.4	VML11010
2.5	VML11414
2.7	VML12020

RCCB Incomer

Size	Cat ref. without KO
2	VML402H
3	VML406H
3	VML306H
4	VML410H
4	VML310H
5	VML314H
Dual Row	
2.3	VML30606H

Time Delayed RCCB Incomer

Size	Cat ref. without KO
5	VML712TG
6	VML766TG

Split Load

Size	Cat ref. without KO
4	VML733H
5	VML755H
6	VML766H
5	VML710C
7	VML716C
5	VML855H
6	VML866H
5	VML810C
7	VML816C
Dual Row	
2.3	VML746H
2.4	VML70810H
2.5	VML71214H
2.7	VML71820H
2.3	VML846H
2.4	VML80810H
2.5	VML81214H
2.7	VML81820H

High Integrity

Size	Cat ref. without KO
5	VML710CU
6	VML712CU
7	VML716CU
5	VML810CU
7	VML816CU
5	VML754R
7	VML778R
5	VML854R
7	VML878R
7	VML8662
Dual Row	
2.4	VML70810CU
2.5	VML71214CU
2.7	VML71820CU
2.4	VML80810CU
2.5	VML81214CU
2.7	VML81820CU

Multi Tariff

Size	Cat ref. without KO
7	VML918C
6	VML9651
Dual Row	
2.4	VML755714H

Garage Board

Size	Cat ref. without KO
2	VML24H

Design 50 - Flush Mounted

Switch Disconnector Incomer

Size	Cat ref. without KO
4	VSR110
5	VSR114
7	VSR120

Split Load

Size	Cat ref. without KO
5	VSR710C
6	VSR712C
7	VSR716C
5	VSR810C
6	VSR812C
7	VSR816C

High Integrity

Size	Cat ref. without KO
5	VSR710CU
6	VSR712CU
7	VSR716CU
5	VSR810CU
6	VSR812CU
7	VSR816CU

Design 10 - Flush Mounted

Switch Disconnector Incomer

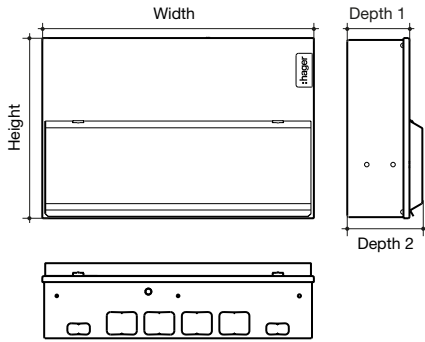
Size	Cat ref. without KO
4	VMLF110
5	VMLF114
7	VMLF120

Split Load

Size	Cat ref. without KO
5	VMLF710C
6	VMLF712C
7	VMLF716C
5	VMLF810C
6	VMLF812C
7	

High Integrity

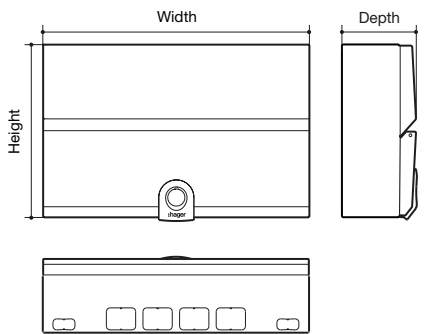
Size	Cat ref. without KO
5	VMLF710CU
6	VMLF712CU
7	VMLF716CU
5	VMLF810CU
6	VMLF812CU
7	VMLF816CU



Design 10 Dimensions (mm)

	Enclosure Size					
	2	3	4	5	6	7
Height	246	246	246	246	246	246
Width	155	227	299	370	406	478
Depth 1	83	83	83	83	83	83
Depth 2	100	100	100	100	100	100

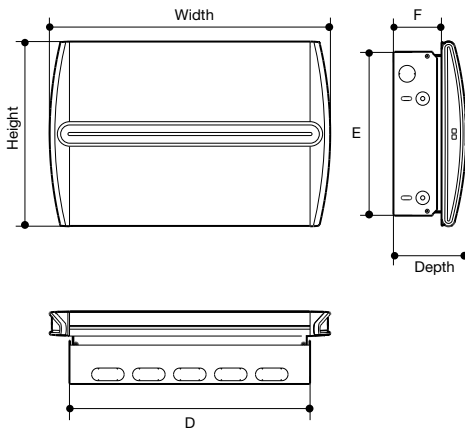
	Number of Knockouts					
	2	3	4	5	6	7
<input type="checkbox"/> Top Face 30 x 15 (mm)	2	2	2	2	2	2
<input type="checkbox"/> Top Face 40 x 30 (mm)	0	2	4	4	6	6
<input type="checkbox"/> Back 100 x 50 (mm)	1	1	1	3	3	3
<input type="checkbox"/> Bottom Face 30 x 15 (mm)	2	3	4	4	5	5



Design 30 Dimensions (mm)

	Enclosure Size					
	2	3	4	5	6	7
Height	240	240	240	240	240	240
Width	149	221	293	364	400	472
Depth	102.5	102.5	102.5	102.5	102.5	102.5

	Number of Knockouts					
	2	3	4	5	6	7
<input type="checkbox"/> Top Face 30 x 15 (mm)	2	2	2	2	2	2
<input type="checkbox"/> Top Face 40 x 30 (mm)	0	2	4	4	6	6
<input type="checkbox"/> Back 100 x 50 (mm)	1	1	1	3	3	3
<input type="checkbox"/> Bottom Face 30 x 15 (mm)	2	3	4	4	5	5

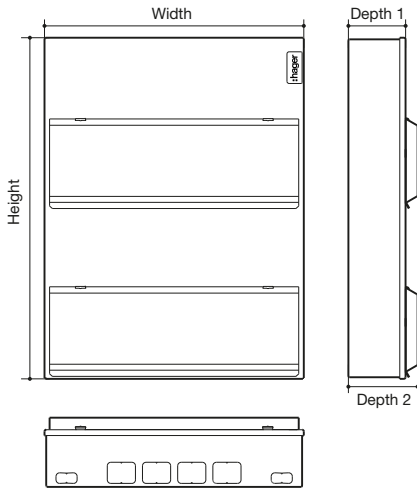


Design 50 Dimensions (mm)

	Enclosure Size			
	4	5	6	7
Height	284	284	284	284
Width	359	431	467	539
Depth	105	105	105	105
D	298	370	406	478
E	252	252	252	252
F	72	72	72	72

Adjustable Depth Base

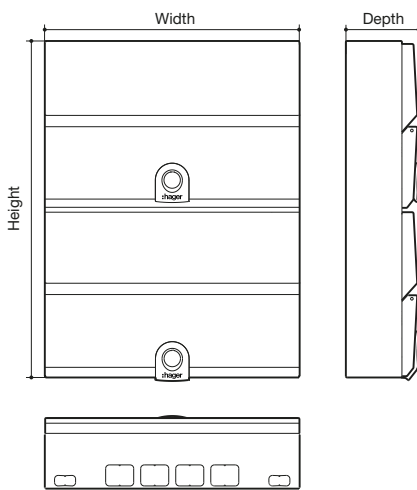
The base assembly is adjustable from 72mm to 92mm. At 72mm this allows for a 60mm studwork and 12mm of plasterboard.



Dual Row Design 10 Dimensions (mm)

	Enclosure Size				
	2.3	2.4	2.5	2.6	2.7
Height	486	486	486	486	486
Width	227	299	370	406	478
Depth 1	83	83	83	83	83
Depth 2	100	100	100	100	100

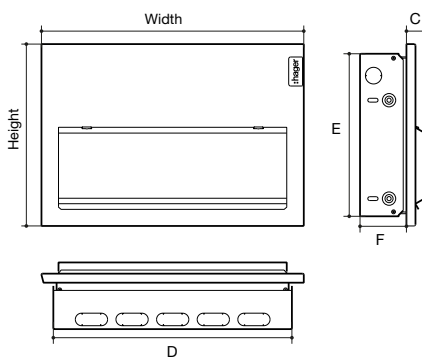
	Number of Knockouts				
	2.3	2.4	2.5	2.6	2.7
<input type="checkbox"/> Top Face 30 x 15 (mm)	2	2	2	2	2
<input type="checkbox"/> Top Face 40 x 30 (mm)	2	4	4	6	6
<input type="checkbox"/> Back 100 x 50 (mm)	2	2	6	6	6
<input type="checkbox"/> Bottom Face 30 x 15 (mm)	3	4	4	5	5



Dual Row Design 30 Dimensions (mm)

	Enclosure Size				
	2.3	2.4	2.5	2.6	2.7
Height	480	480	480	480	480
Width	221	293	364	400	472
Depth	102.5	102.5	102.5	102.5	102.5

	Number of Knockouts				
	2.3	2.4	2.5	2.6	2.7
<input type="checkbox"/> Top Face 30 x 15 (mm)	2	2	2	2	2
<input type="checkbox"/> Top Face 40 x 30 (mm)	2	4	4	6	6
<input type="checkbox"/> Back 100 x 50 (mm)	2	2	6	6	6
<input type="checkbox"/> Bottom Face 30 x 15 (mm)	3	4	4	5	5



Flush Design 10 Dimensions (mm)

	Enclosure Size			
	4	5	6	7
Height	282	282	282	282
Width	335	407	443	515
C	32	32	32	32
D	298	370	406	478
E	252	252	252	252
F	72	72	72	72

	Number of Knockouts			
	4	5	6	7
<input type="checkbox"/> Top Face 50 x 20 (mm)	4	5	6	7
<input type="checkbox"/> Bottom Face 50 x 20 (mm)	4	5	6	7
<input type="checkbox"/> Back 100 x 50 (mm)	2	2	2	3
<input type="checkbox"/> Left Face 20.8 (mm)	1	1	1	1