



Product Description: 2W 3 Hour Non-Maintained Emergency

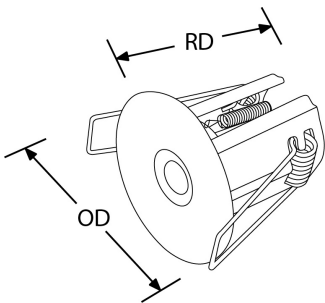
Includes LED driver and NiMH battery in a mesh sleeve. Compact downlight fits into a 44mm cut-out.

SKU Code	Wattage	Colour	Lumens	Lumens/Watt	Beam Angle	Finish Colour	SKU Type
EN-EMLD2	2	6000	110	55	100	White	Emergency

Line Drawing

Polar Curve

Colour



Product Features:

- Non-maintained LED emergency train
- 3 Hour emergency duration
- 2W High power LED
- Includes LED driver and NiMH battery in a mesh sleeve
- Compact downlight fits into a 40mm cut-out
- 1 Year Warranty

Product Specs:

Input Voltage	220~240V AC	Input Frequency	50/50HZ
IP Rating	IP20	Width (mm)	30
Length (mm)	1300	Overall Diameter (mm)	51
Weight (Kg)	0.338	Height (mm)	47
Product Type	Power/Control,Emergency	Cutout Diameter (mm)	40-

Compliance & Approvals:



Warranty:

This product has a warranty period of 1 Year. Warranties may be available on certain products as indicated in the product description. Warranties are valid from the date of purchase. The warranty is invalid in the case of improper use, installation, tampering, removal of the Q.C. date label or installation in an improper working environment or installation. Should this product fail during the warranty period it will be replaced free of charge, subject to the correct installation of the original product and subsequent return of the faulty unit. Aurora does not accept responsibility for any installation costs associated with the replacement of this product and Aurora reserves the right to alter specifications without prior notice.