

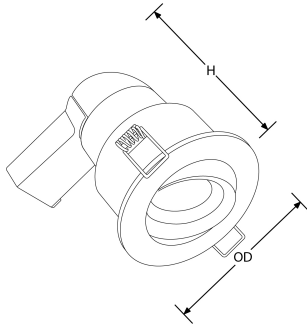


**Product Description:** A6™ PRO Adjustable 6W Dimmable Fire Rated Downlight

The A6™ PRO is a revolution in LED downlight performance and installation. Utilising the unique RapidWire connection system, the whole product can be fully wired and installed in a matter of seconds. The use of latching terminals provides the security of screw terminations for both solid and stranded core cables and can be wired even faster than standard push fits. The removable connector allows full circuit insulation resistance testing without risking any damage to the downlight, which can be simply plugged in afterwards.

SKU Code	Wattage	Colour	Lumens	Lumens/Watt	Beam Angle	Finish Colour	SKU Type
AU-A62PROMW/30	6	3000	680	114	60	Matt White	Triac Dimmable
AU-A62PROMW/40	6	4000	700	117	60	Matt White	Triac Dimmable
AU-A62PROPC/30	6	3000	680	114	60	Polished Chrome	Triac Dimmable
AU-A62PROPC/40	6	4000	700	117	60	Polished Chrome	Triac Dimmable
AU-A62PROSN/30	6	3000	680	114	60	Satin Nickel	Triac Dimmable
AU-A62PROSN/40	6	4000	700	117	60	Satin Nickel	Triac Dimmable
AU-A62PROW/30	6	3000	680	114	60	White	Triac Dimmable
AU-A62PROW/40	6	4000	700	117	60	White	Triac Dimmable

## Line Drawing

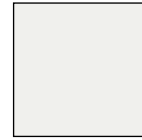


## Polar Curve

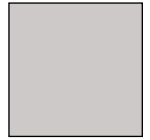
## Colour



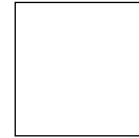
Matt White



Polished  
Chrome



Satin Nickel



White

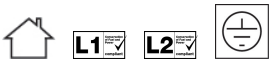
## Product Features:

- Delivering up to 117lm/W
- IP20 bezel included for adjustable version
- Unique RapidWire connection system
- 60° beam angle for uniform light distribution
- Fibre based insulation coverable - up to 300mm
- Tested in 30, 60 and 90 minute solid timber joist fire rated ceilings
- Fire tested with a range of solid timber, ijoist and metal web joists
- 7 Year Warranty
- PLEASE NOTE: Any purchases before 01/01/2021 has a 5 Year Warranty

## Product Specs:

Input Voltage	220~240V AC	Input Frequency	50/50HZ
Power Factor	0.8	IP Rating	IP20
Lifetime L70 (hrs)	70000	Overall Diameter (mm)	95
Weight (Kg)	0.410	Height (mm)	105
Product Type	Downlights, Fire-Rated Downlight	Cutout Diameter (mm)	-80
Operating Temp. (Min) °C	-20°C	Operating Temp. (Max) °C	45°C

## Compliance & Approvals:



## Warranty:

This product has a warranty period of 7 Years. Warranties may be available on certain products as indicated in the product description. Warranties are valid from the date of purchase. The warranty is invalid in the case of improper use, installation, tampering, removal of the Q.C. date label or installation in an improper working environment or installation. Should this product fail during the warranty period it will be replaced free of charge, subject to the correct installation of the original product and subsequent return of the faulty unit. Aurora does not accept responsibility for any installation costs associated with the replacement of this product and Aurora reserves the right to alter specifications without prior notice.