

4 Zone RF Remote Control

for Single Colour, Tunable White, RGB, RGBW and RGCCTLED strip



LR-4RGCCT



Product Description

The LR-4RGCCT remote enables one to control up to 4 zones of Single Colour, Tunable White, RGB/RGBW and RGCCT LED strips. It features a touch colour wheel which offers smooth and continuous colour changing options and enables creation of colourful static and dynamic effects.

Remote Technical Specification

Order Code	LR-4RGCCT
Type	RF Remote
Power	3V DC (2x AAA battery)
Operation Frequency	2.4GHz
Dimension	53x122x17mm (WxLxH)
Weight:	60g

Features

- Easy control of single colour, tunable white, RGB/RGBW and RGCCT LED strips for up to 4 zones independently or simultaneously
- 2.4GHz wireless technology, remote distance of up to 30m
- Save lighting functions and preferences with scene save
- Control each zone separately or simultaneously
- Auto-transmitting function to achieve greater distances between receivers and the remote
- PWM dimming enables flicker-less dimming
- Built-in dynamic play modes with receiver auto-synchronization
- Each zone can have different LED strip type

Compatible RGCCT receiver Technical Specification

Order code	R3C	R4C	R5C
Channels	3 (RGB)	4 (RGBW)	5 (RGCCT)
Type	RF receiver	RF receiver	RF receiver
Input Voltage	12-24V DC	12-36V DC	12-24V DC
Current	3x4A	4x5A	5x3A
Output	3X(48-96W)	4X(60-180W)	5X(36-72W)
Note	Constant voltage	Constant voltage	Constant voltage
Dimension	33x97x18mm (WxLxH)	45x175x27mm (WxLxH)	38x114x20mm (WxLxH)



R3C



R5C



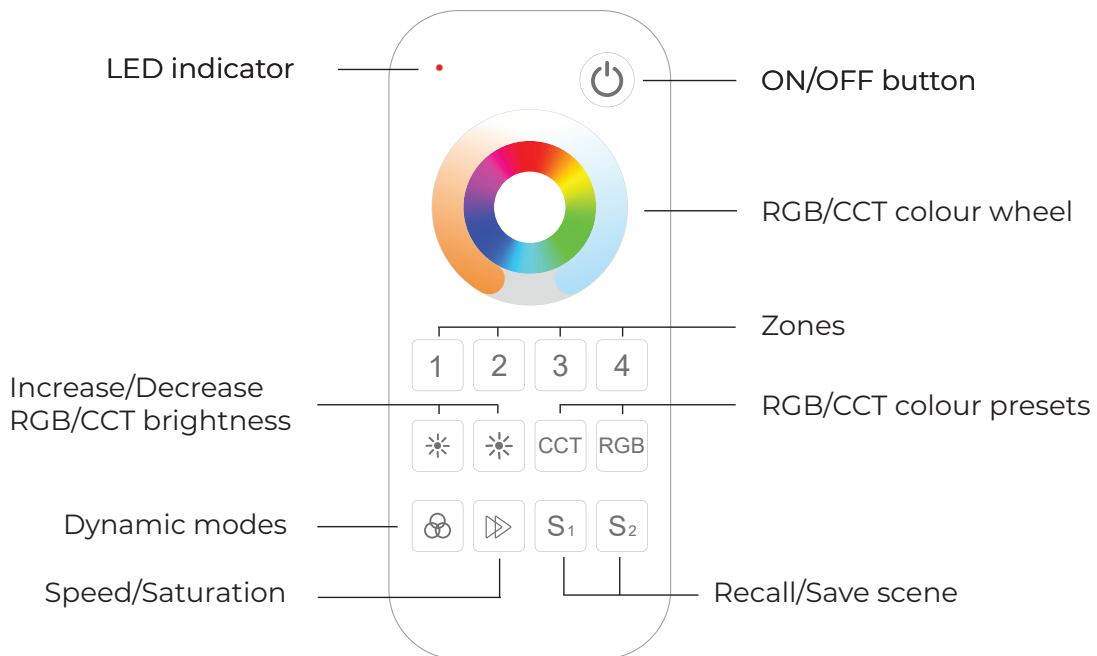
R4C

4 Zone RF Remote Control

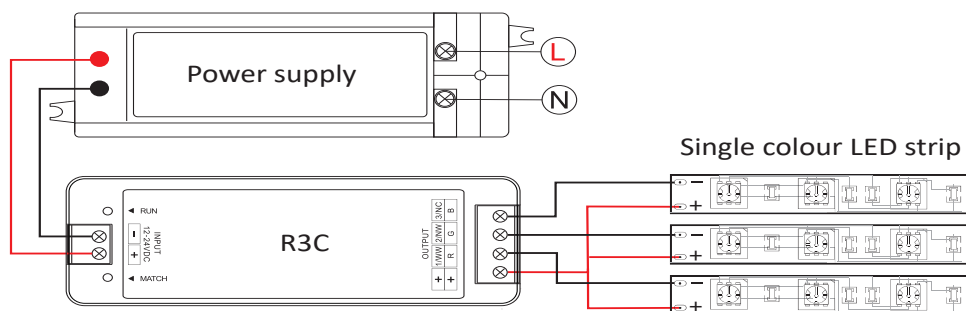
for Single Colour, Tunable White, RGB, RGBW and RGB+CCTLED strip



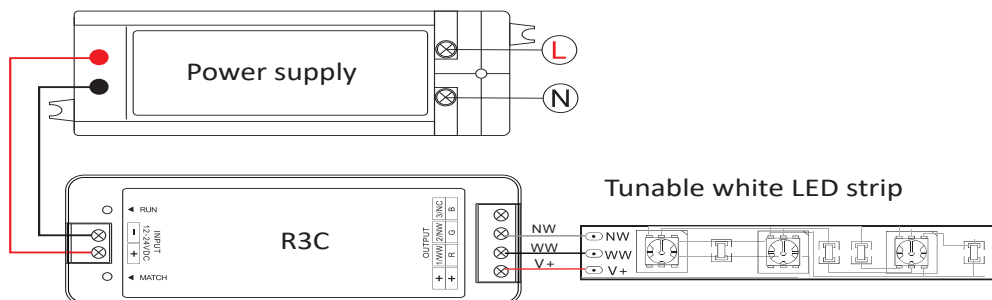
Controller layout



Single colour receiver wiring diagram



Tunable White receiver wiring diagram

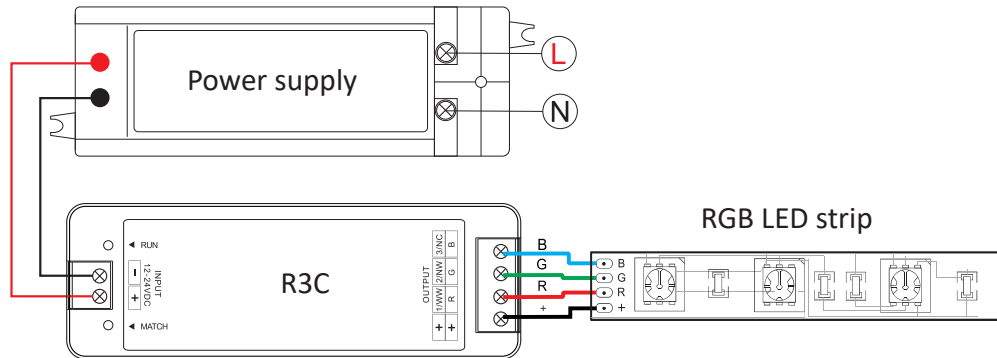


4 Zone RF Remote Control

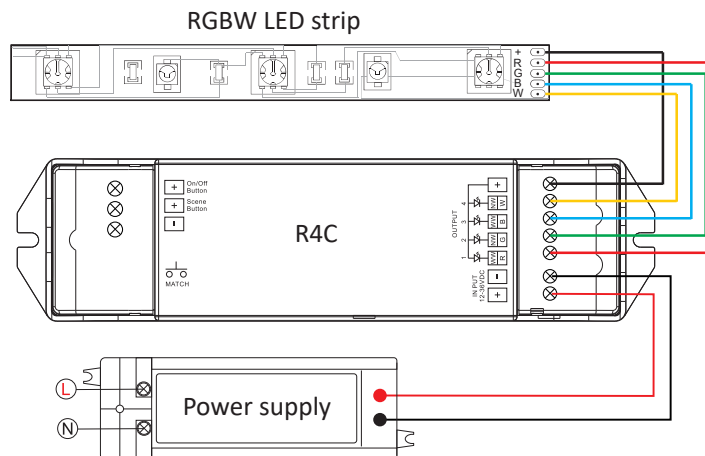
for Single Colour, Tunable White, RGB, RGBW and RGCCTLED strip



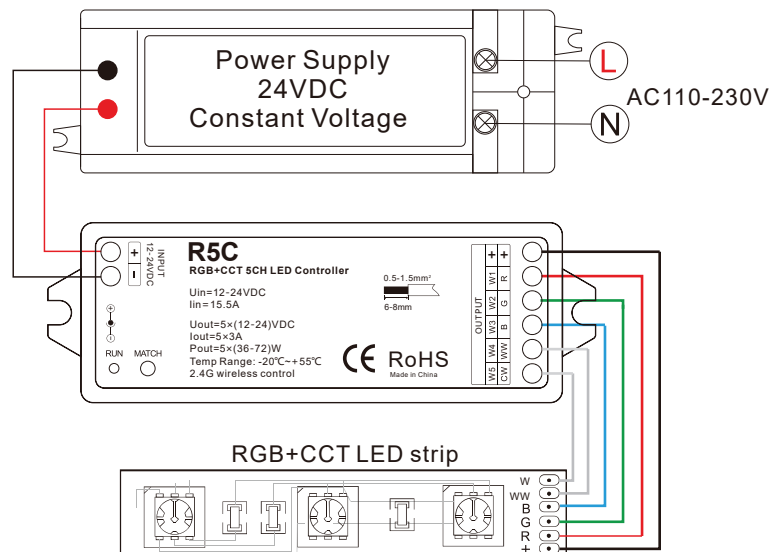
RGB Receiver wiring diagram



RGBW Receiver wiring diagram



RGCCT Receiver wiring diagram



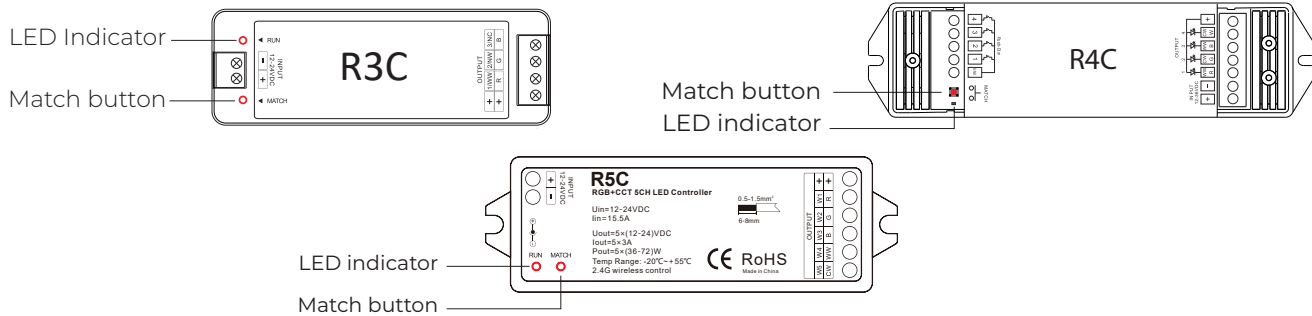
4 Zone RF Remote Control

for Single Colour, Tunable White, RGB, RGBW and RGCCTLED strip



Synchronising the wall panel to the receiver

1) Ensure the receiver has power. Press the match button on the receiver. LED Indicator will start flashing slowly.



2) Choose the zone on the remote to allocate the receiver within 5 seconds after pressing the match button. The LED indicator on the receiver will flash rapidly 5 times and then stop flashing. The controller is now synchronised with the receiver.



Press the zone you wish to allocate

3) Repeat the process to allocate zones for all receivers.

4) To restore the receiver to the factory default settings and delete the allocated controller, press and hold the match button on the receiver longer than 5 seconds until the LED indicator flashes quickly 5 times.

Note! RF technology allows for greater flexibility when it comes to controlling simple or complex lighting installations without the need of additional cabling. There are some limitations where installations have the receivers enclosed in electrical boxes or hidden away in a ceiling, reducing the RF signal strength and therefore the communication range.

In order to overcome these RF Signal restrictions we suggest the following when synchronising our RF controllers and receivers:

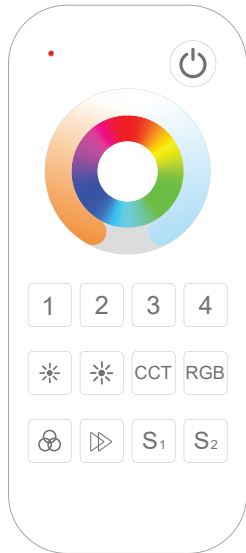
- Keep the distance within 10 meters from the controller to the receiver. The remote can operate up to 30 meters if signal is uninterrupted by obstacles.
- When expanding your lighting, always try and use a signal repeater (PR-RGB(N)), where possible.

4 Zone RF Remote Control

for Single Colour, Tunable White, RGB, RGBW and RGBCCTLED strip



Controlling your LED strip



- Press to turn ON/OFF all zones.
- Touch the colour wheel to change RGB colour or CCT (WW/CW) colour in selected zones. Press RGB or CCT button to switch between RGB and CCT wheel.
- 1** **2** **3** **4** Press to select and turn ON the desired zone.
Press and hold to turn off desired zone.
- Press to Adjust RGB or CCT brightness in 10 levels.
Long press to increase or decrease brightness smoothly.
- CCT** Press to adjust colour temperature of WW/CW channel in 10 levels.
Long press to adjust colour temperature of WW/CW channel smoothly.
- RGB** Press to change 24 presetted RGB colours
- Press to run dynamic play modes, press and hold to run automatic cycle mode.
In dynamic play modes press to adjust the speed of the dynamic mode.
- For static RGB colour press to adjust 11 levels of saturation of the selected colour.
Press and hold to adjust 256 levels of saturation of the selected colour.
- S1** **S2** Press and hold to save current colour state into S1/S2 scene.
Press to recall the S1/S2 scene. Scene positions are saved across all 4 zones.

Each zone can be set up to control different types of LED strips eg. Single Colour, Tunable White, RGB, RGBW and RGBCCT LED strip. To change LED strip type press the desired zone together with LED strip type buttons for more than 2s.

- 1** **2** **3** **4** + Single colour
- 1** **2** **3** **4** + **CCT** Tunable white (WW/CW)
- 1** **2** **3** **4** + **RGB** RGB
- 1** **2** **3** **4** + RGBW
- 1** **2** **3** **4** + RGBCCT

For example to set the Zone 1 LED strip type to RGB, press and hold **1 + RGB** buttons for more than 2s until the LED indicator on the remote will turn green. Each zone can have different LED strip type.

4 Zone RF Remote Control

for Single Colour, Tunable White, RGB, RGBW
and RGBCCTLED strip



Dynamic play mode presets

No.	Name	No.	Name
1.	RGB jump	6.	RGB fade in and out
2.	RGB smooth	7.	RED fade in and out
3.	6 colour jump	8.	GREEN fade in and out
4.	6 colour smooth	9.	BLUE fade in and out
5.	Color temperature smooth	10.	WHITE fade in and out

Troubleshoot

Problem	Cause	Corrective
No light	<ul style="list-style-type: none">• No power.• Wrong connection or unsecure connection.	<ul style="list-style-type: none">• Check the power.• Check the connection.
Wrong Colour	<ul style="list-style-type: none">• Wrong connection of RGBW wires.	<ul style="list-style-type: none">• Re trace and reconnect RGBW wires.
Uneven intensity between front and rear of the strip, with voltage drop	<ul style="list-style-type: none">• Output cable is too long.• Cable diameter is too small.• Overload beyond driver capability.• Overload beyond receiver capability.	<ul style="list-style-type: none">• Reduce cable or loop supply.• Change to a thicker cable.• Replace with a suitable higher power driver.• Add a power repeater.
No response from the remote	<ul style="list-style-type: none">• The battery has no power.• Beyond controllable distance.• The controller isn't synchronised with the remote.	<ul style="list-style-type: none">• Replace battery.• Reduce remote to receiver distance.• Re-sync the remote.

Please note! RF technology allows for greater flexibility when it comes to controlling simple or complex lighting installations without the need of additional cabling. There are some limitations where installations have the receivers enclosed in electrical boxes or hidden away in a ceiling, reducing the RF signal strength and therefore the communication range.

In order to overcome these RF Signal restrictions we suggest the following when synchronising our RF controllers and receivers:

- Keep the distance within 10 meters from the controller to the receiver. The remote can operate up to 30 meters if signal is uninterrupted by obstacles.
- When expanding your lighting, always try and use a signal repeater (PR-RGB(N)), where possible.

Safety

- Products must be installed and serviced by qualified electrician.
- Please ensure the receiver is mounted in a water proof enclosure if installed in an outdoor environment, avoiding metallic enclosures.
- Always ensure products are mounted in areas with adequate ventilation to avoid overheating.
- Please ensure outputs of any power suppliers used in conjunction with this product comply with its working voltage.
- Never install product whilst connected to power and double check connections before switching on to avoid short circuits.

Warranty

Should this product fail during the 5 year warranty period it will be replaced free of charge, subject to the correct installation of the original product in accordance with applicable and appropriate electrical codes and instructions provided by Teucer, as well as subsequent return of the faulty unit. Teucer does not accept responsibility for any installation costs associated with the replacement of this product and Teucer reserves the right to alter specifications without prior notice. For further information, please see our Terms and Conditions. www.teucerled.co.uk/terms-and-conditions/

Teucer (UK) Ltd
Bedford House, Fulham Green
69-79 Fulham High Street
London, SW6 3JW, UK

Tel: +44 (0)20 7350 4429
Fax: +44(0)20 7228 4647
www.teucerled.co.uk
sales@teucer.eu



V002-11-2019

www.teucerled.co.uk