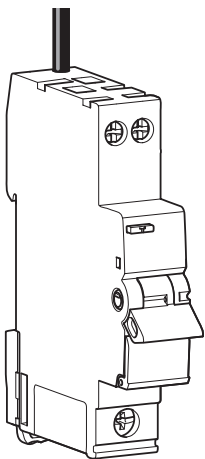


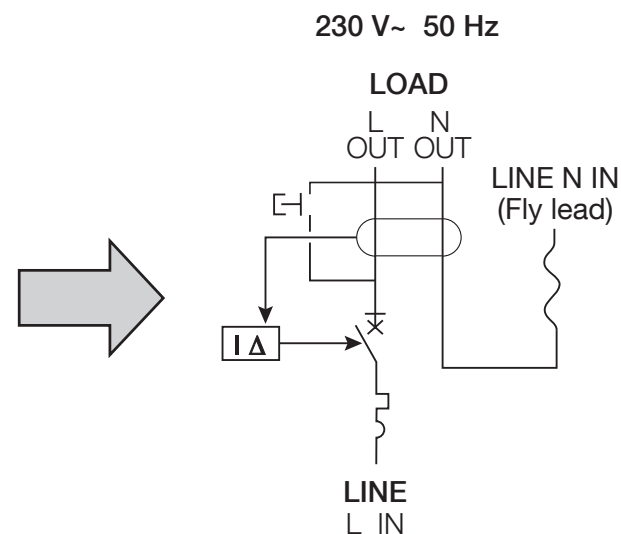
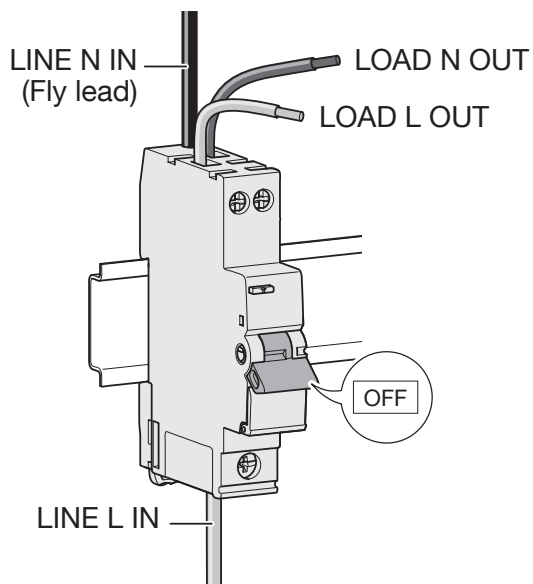
6LE005307Aa



EN

## Residual Current Breakers Operated RCBO 6 to 32A

### Electrical connection



**WARNING**  
installation by qualified  
contractors only

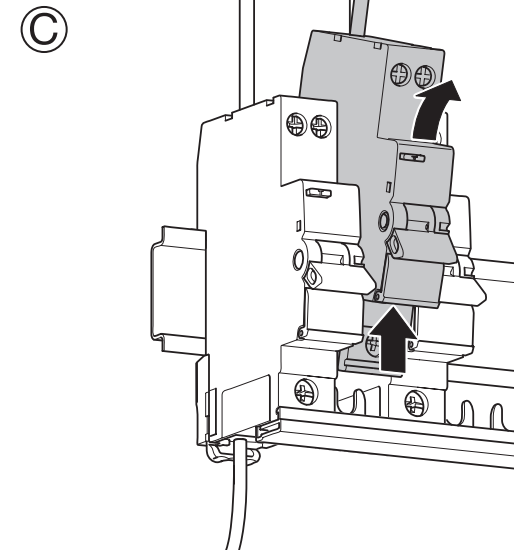
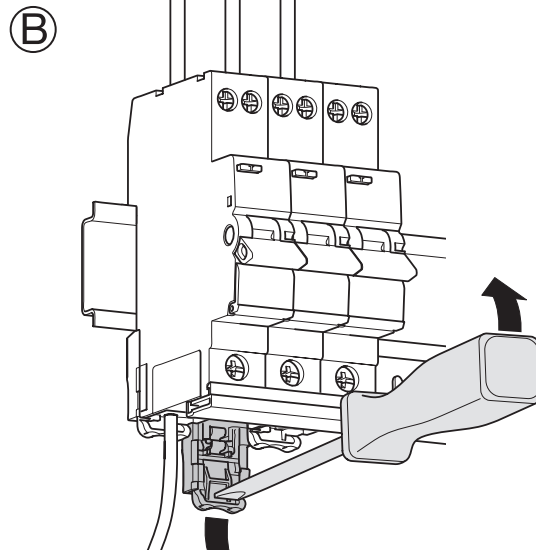
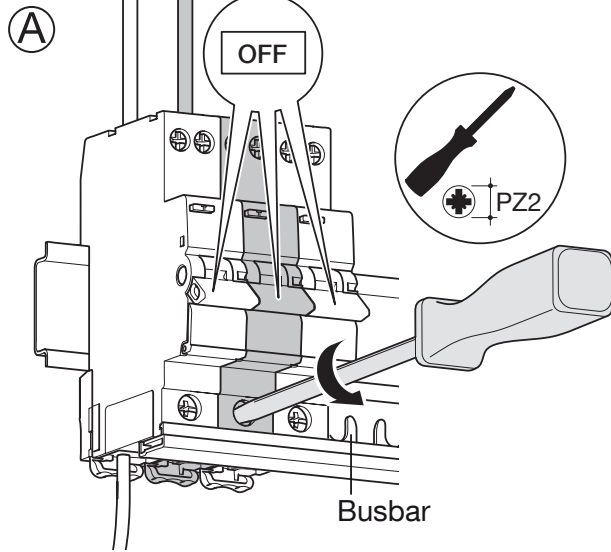
EN **Warranty**

A warranty period of 24 months is offered on hager products, from date of manufacture, relating to any material of manufacturing defect. If any product is found to be defective it must be returned via the installer and supplier (wholesaler). The warranty is withdrawn if:

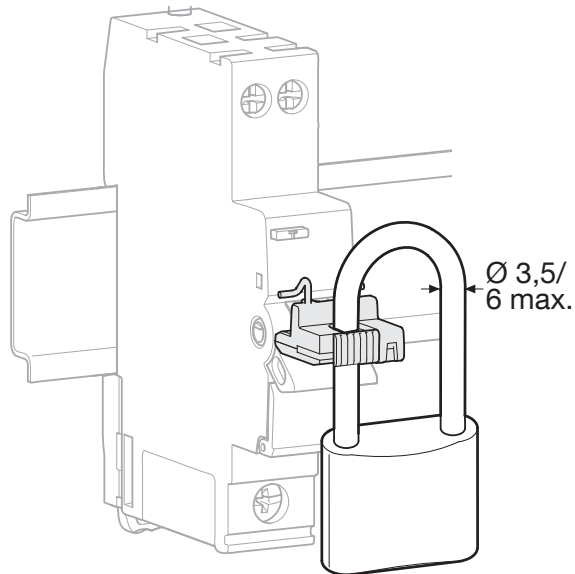
- after inspection by hager quality control dept the device is found to have been installed in a manner which is contrary to IEE wiring regulations and accepted practice within the industry at the time of installation.
  - The procedure for the return of goods has not been followed.
- Explanation of defect must be included when returning goods.

	LINE	LOAD
(mm <sup>2</sup> )	1 to 25 □ 2 x 10 □	1 to 16 □ 2 x 6 □
	12 mm	10 mm
	✚ PZ2	✚ PZ2
	2,8 Nm	1,9 Nm

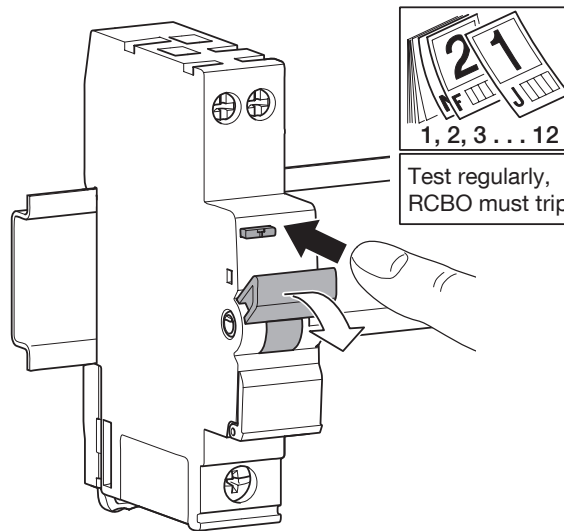
Easy device removal with the DIN rail clip



Locking device for handle MZN175



TEST



IR TEST

