

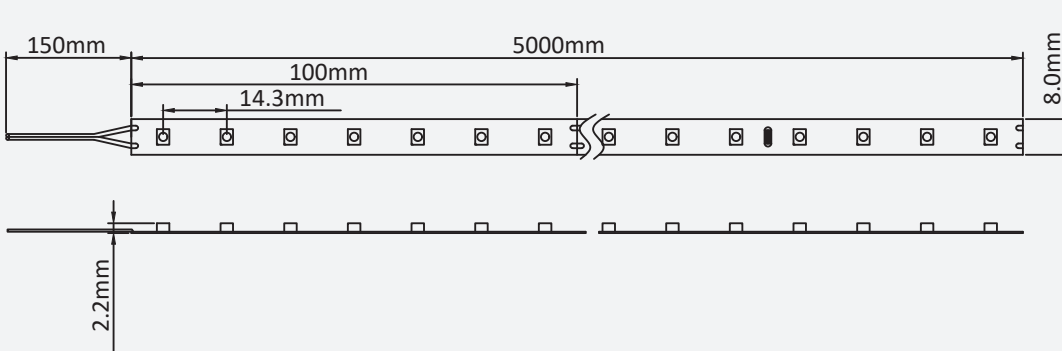
4.8 W/m

Single colour LED strip 3528 chip

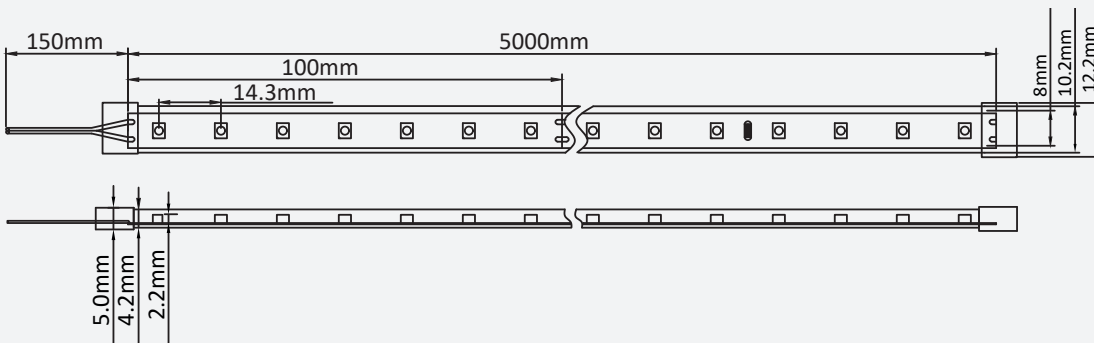


LST-1

Technical drawing



IP20



IP65



V001

www.teucerled.co.uk

4.8 W/m

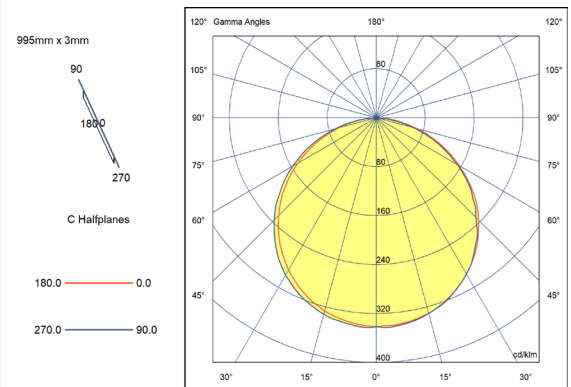
Single colour LED strip 3528 chip



Technical specification

Max Wattage	4.8 W/m
LED Chip	SMD 3528
LEDs per meter	70LEDs
Construction	PCB
IP rating	IP20 /IP65
Fixture	Self Adhesive (300MP)
Voltage	24V
Length	5m
Cut	Every 100mm
Colour Rendering Index	Ra > 90
Beam Angle	120°
Energy Efficiency Rating	A+
Estimated Life	50.000 hours
Operating temperature	-20~+45°C
Maximum run length	15m

Polar diagram



Note

For compatibility of LED strip with aluminium profile, please refer to the compatibility chart in our catalogue or on our website:

www.teucerled.co.uk/compatibilitychart

For power consumption of LED strip and choosing appropriate driver, please refer to power consumption chart in our catalogue or on our website:

www.teucerled.co.uk/powerconsumptionchart

Product codes

Product Code	IP Rating	CCT	Lumens/m	Lumens/W
LST-1WW27K	IP20	2700K	394 lm	82 lm/W
LST-1WW30K	IP20	3000K	408 lm	85 lm/W
LST-1CW	IP20	4000K	480 lm	95 lm/W
LST-1B	IP20	Blue	93lm*	18 lm/W
LST-1IPWW27K	IP65	2700K	374 lm	77 lm/W
LST-1IPWW30K	IP65	3000K	395 lm	82 lm/W
LST-1IPCW	IP65	4000K	403 lm	83 lm/W
LST-1IPDL	IP65	6500K	410 lm	85 lm/W
LST-1IPB	IP65	Blue	85lm*	17 lm/W

* The Blue lumens value has been calculated using a mcd (millicandela) to lumens converter.

Note: The lumen data shown are typical lumen values tested and verified by a European independently accredited test house.

Warranty

Should this product fail during the 5 year warranty period it will be replaced free of charge, subject to the correct installation of the original product in accordance with applicable and appropriate electrical codes and instructions provided by Teucer, as well as subsequent return of the faulty unit. LED strips of 9.6W/m and above MUST be mounted on an appropriate aluminium profile to guarantee product performance and Teucer warranty.

Teucer does not accept responsibility for any installation costs associated with the replacement of this product and Teucer reserves the right to alter specifications without prior notice. For further information, please see our Terms and Conditions. www.teucerled.co.uk/terms-and-conditions/.

Teucer (UK) Ltd
Head office

Bedford House, Fulham Green
69-79 Fulham High Street
London, SW6 3JW, UK
Tel: +44 (0)20 7350 4429
Fax: +44(0)20 7228 4647
www.teucerled.co.uk
sales@teucer.eu

