



## Capacitive Switch

<div style="display: flex; justify-content: space-around;"> <div style="border: 1px solid black; padding: 2px; text-align: center;">12 V System</div> <div style="border: 1px solid black; padding: 2px; text-align: center;">24 V System</div> <div style="border: 1px solid black; padding: 2px; text-align: center;">350 mA System</div> <div style="border: 1px solid black; padding: 2px; text-align: center;">700 mA System</div> </div>	<b>T<sub>A</sub></b>			
833.89.133	-20 °C – +45 °C -4 °F – +113 °F	Ø 34.7 x 9.6	≥ Ø 44.7 x 19.6	<div style="border: 1px solid black; padding: 2px; margin-bottom: 2px;">Loox <b>12 V</b></div> <div style="border: 1px solid black; padding: 2px; margin-bottom: 2px;">Loox <b>24 V</b></div> <div style="border: 1px solid black; padding: 2px; margin-bottom: 2px;">Loox <b>350 mA</b></div> <div style="border: 1px solid black; padding: 2px;">Loox <b>700 mA</b></div>

**A**

**B**

2x **C**

**D**

**+**

X	
500	833.89.140
1000	833.89.141
2000	833.89.142

X	
500	833.89.054
1000	833.89.055
2000	833.89.056

100 - 240 V~

≤ 30

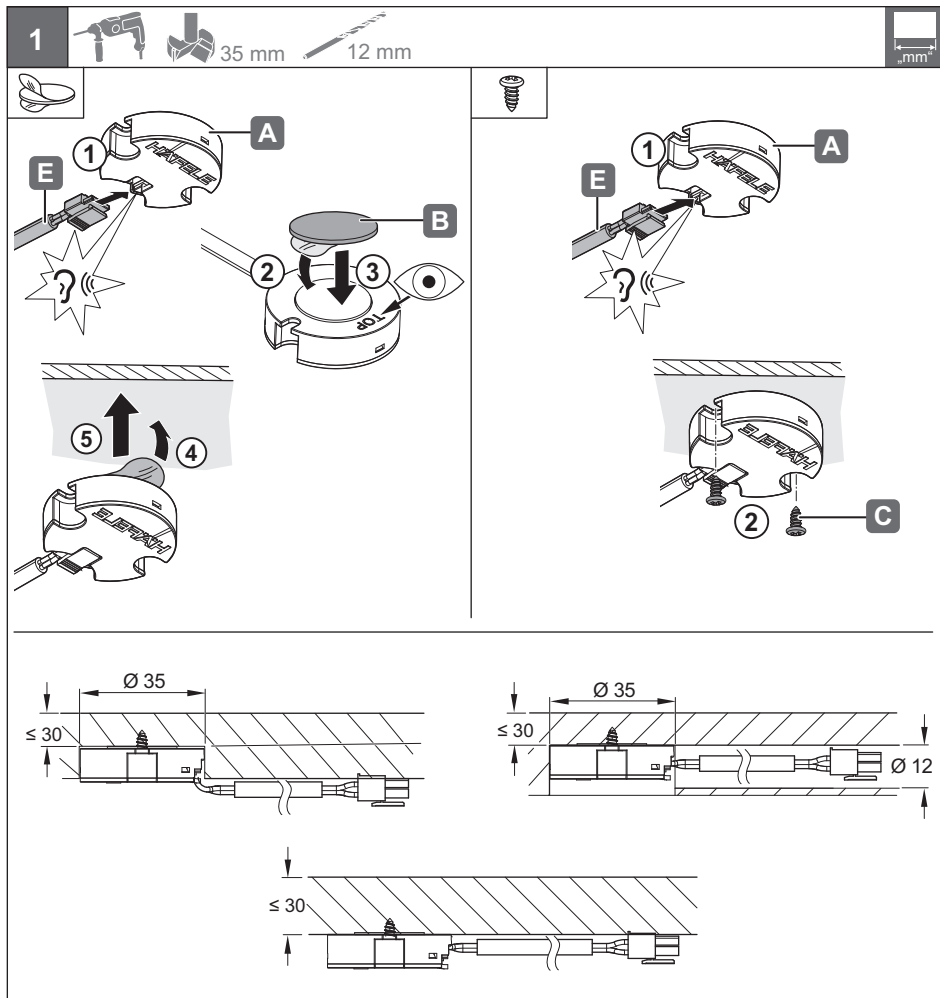
**ISOLATOR**

350 mA System  
(n=1 (350 mA / 1 W))

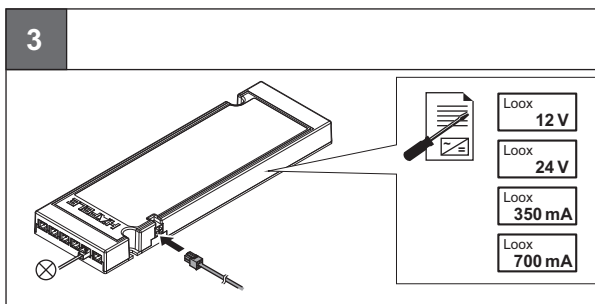
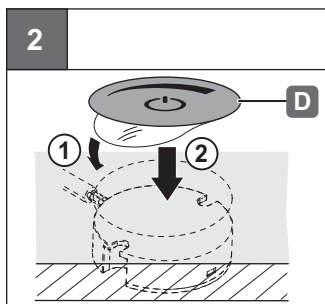
≤ 10

732.28.404

HDE 06/2017



732.28.404



HDE 06/2017