



833.89.126
833.89.127
833.89.128
833.89.129
833.89.058

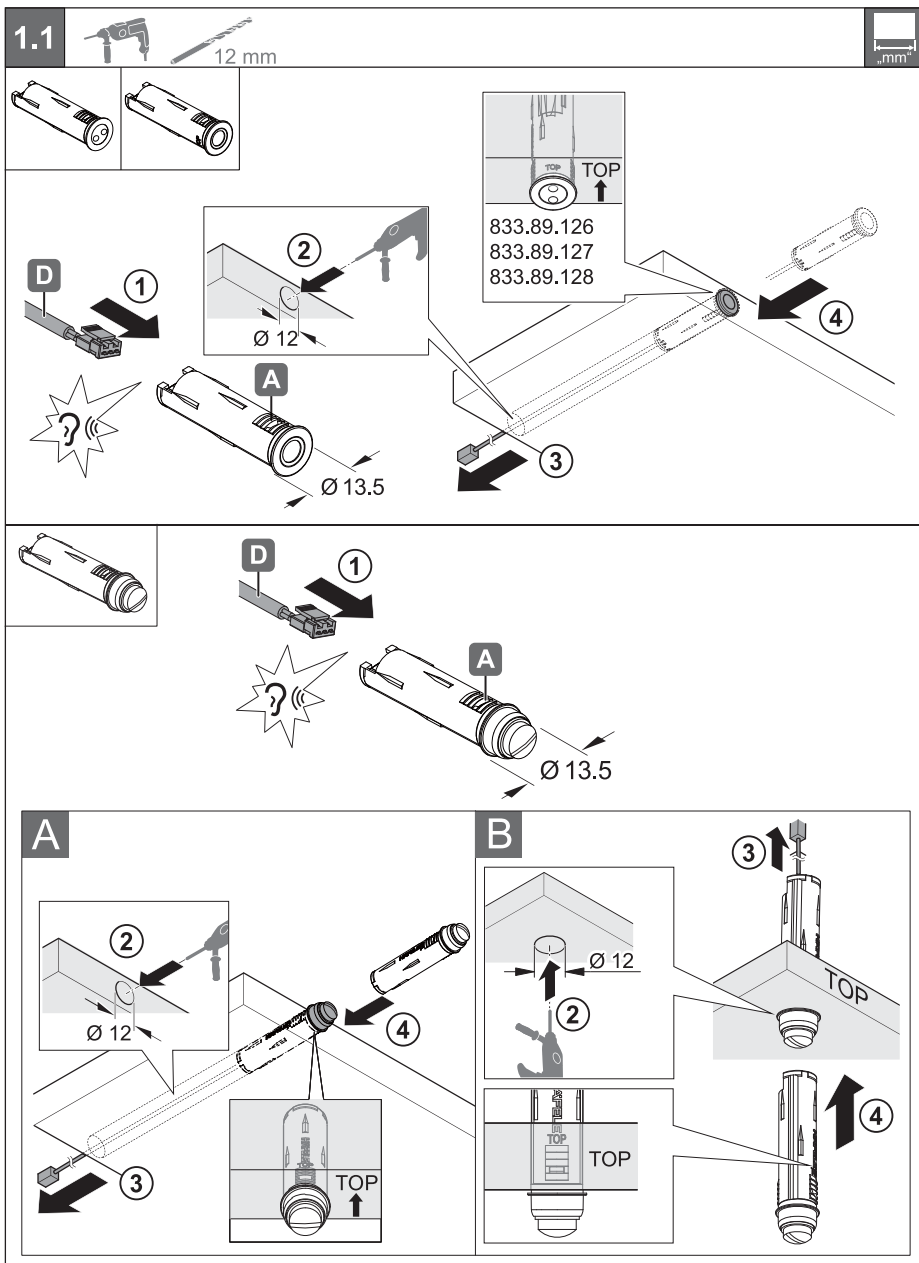
		d (mm)	T_A			
833.89.126		0 – 75	-20 °C +45 °C -4 °F +113 °F	\varnothing 13.5 x 45.9	$\geq \varnothing$ 14.5 x 55.9	Loox 12 V
833.89.127		0 – 75				
833.89.128		0 – 100				
833.89.129	120°	0 – 3000				
833.89.058	N/A	N/A				
				\varnothing 13.5 x 45.9	$\geq \varnothing$ 14.5 x 65.7	Loox 24 V
				\varnothing 13.5 x 55.7	$\geq \varnothing$ 14.5 x 55.9	Loox 350 mA
				\varnothing 13.5 x 55.7	$\geq \varnothing$ 14.5 x 65.7	Loox 700 mA

732.28.406

833.89.126 833.89.127 833.89.128		833.89.129								
833.89.058	+ 2x 833.89.092	+ <table border="1"> <thead> <tr> <th>X</th> <th></th> </tr> </thead> <tbody> <tr> <td>500</td> <td>833.89.140</td> </tr> <tr> <td>1000</td> <td>833.89.141</td> </tr> <tr> <td>2000</td> <td>833.89.142</td> </tr> </tbody> </table>	X		500	833.89.140	1000	833.89.141	2000	833.89.142
X										
500	833.89.140									
1000	833.89.141									
2000	833.89.142									

		100 - 240 V~
--	--	--------------

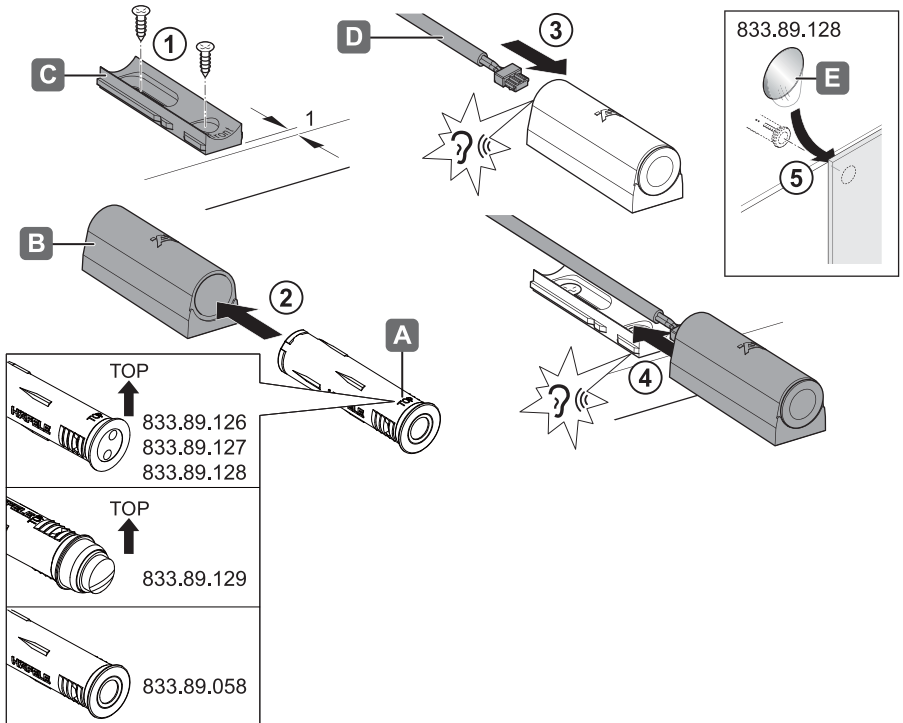
HDE 04/2017



732.28.406

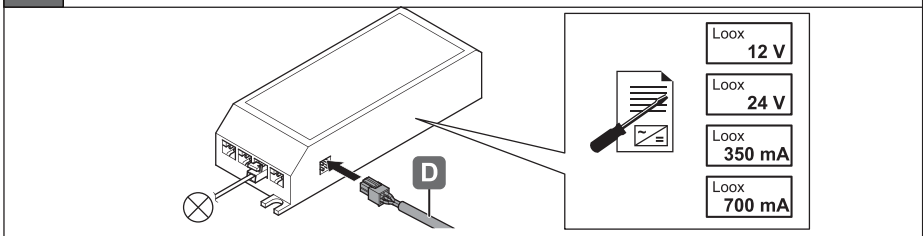
HDE 04/2017

1.2

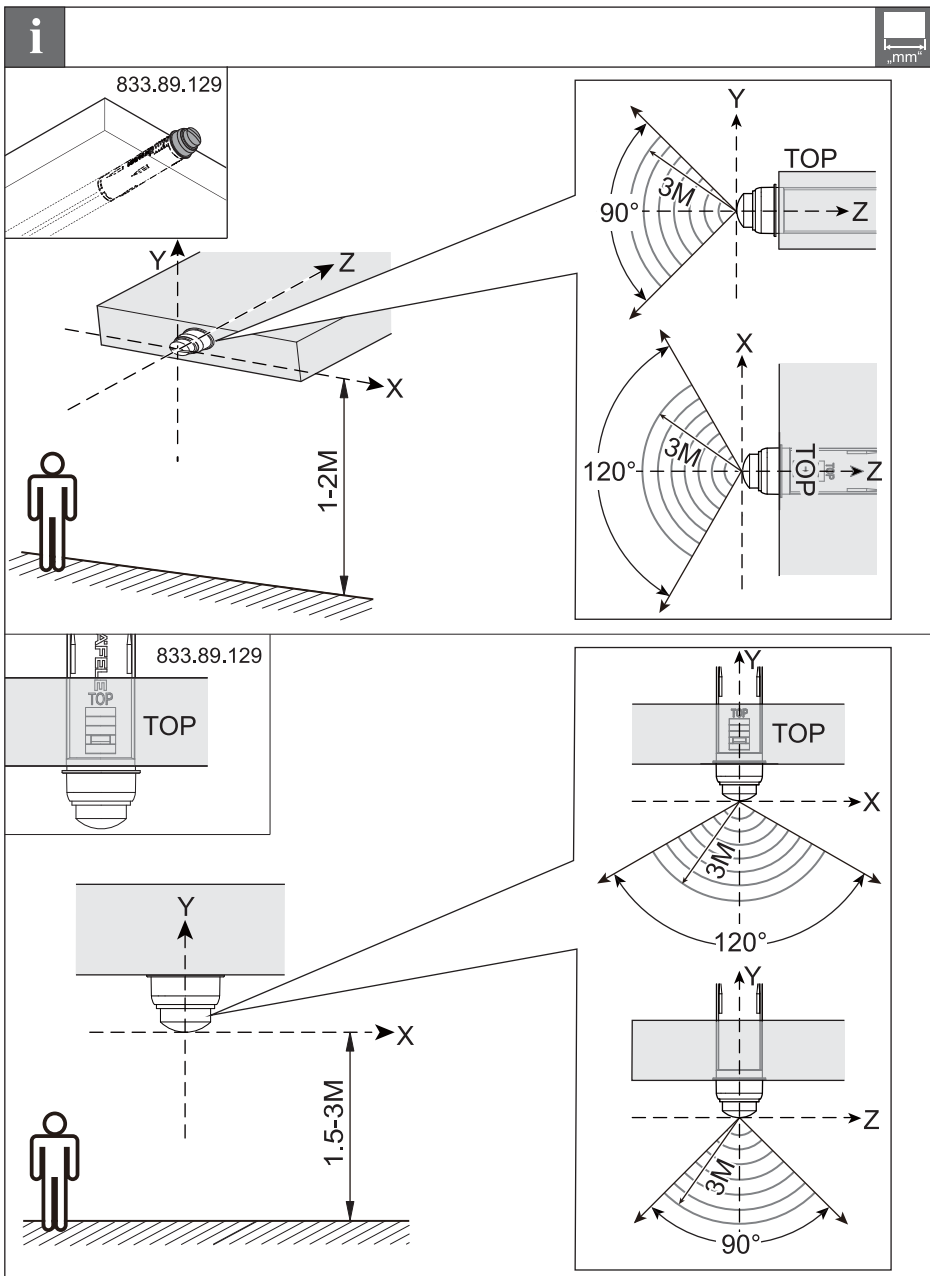


732.28.406

2



HDE 04/2017



732.28.406

HDE 04/2017