



833.89.126  
833.89.127  
833.89.128  
833.89.129  
833.89.058

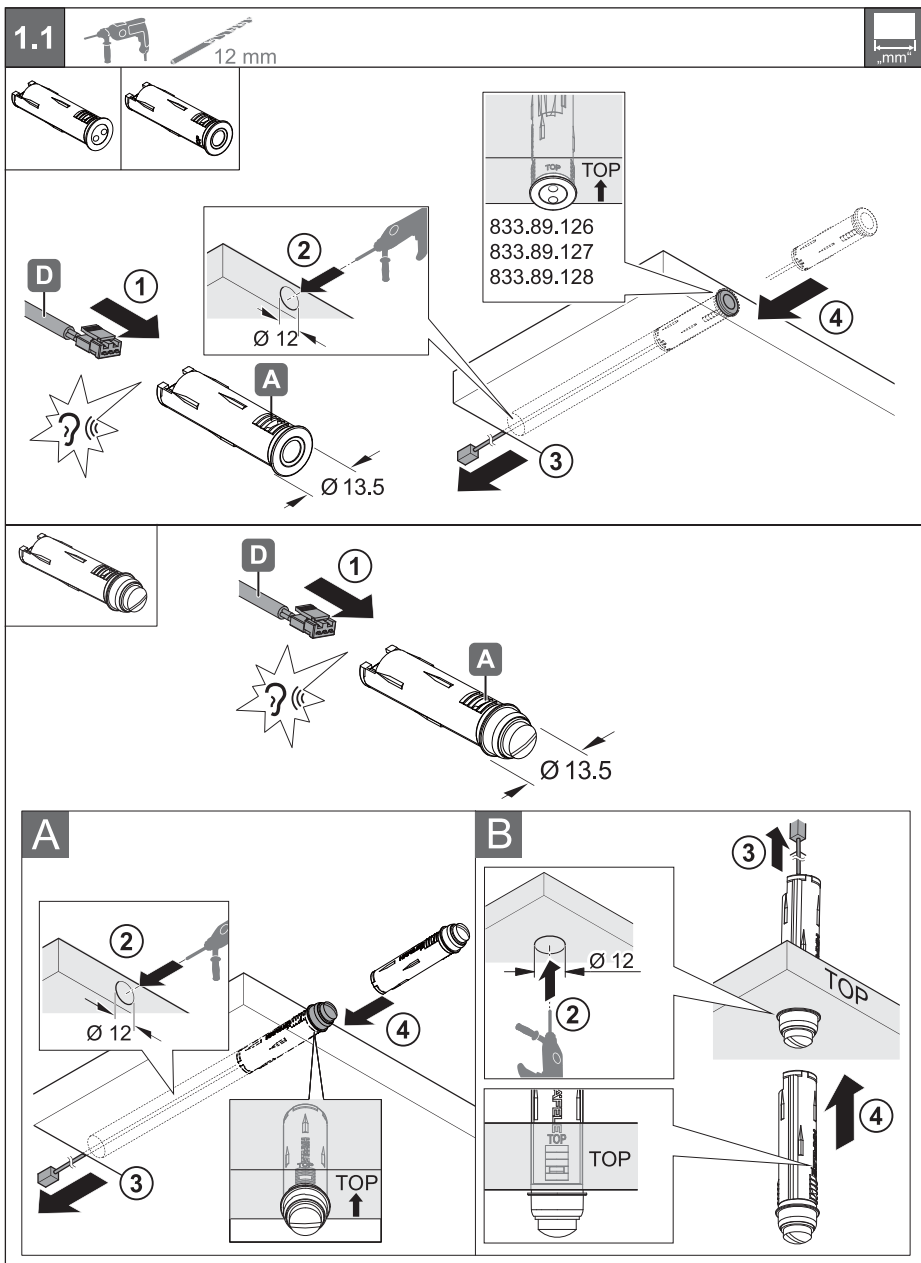
|            |      | $d$ (mm) | $T_A$                                |                           |                                |                |
|------------|------|----------|--------------------------------------|---------------------------|--------------------------------|----------------|
| 833.89.126 |      | 0 – 75   | -20 °C<br>+45 °C<br>-4 °F<br>+113 °F | $\varnothing$ 13.5 x 45.9 | $\geq \varnothing$ 14.5 x 55.9 | Loox<br>12 V   |
| 833.89.127 |      | 0 – 75   |                                      |                           |                                |                |
| 833.89.128 |      | 0 – 100  |                                      |                           |                                |                |
| 833.89.129 | 120° | 0 – 3000 |                                      |                           |                                |                |
| 833.89.058 | N/A  | N/A      |                                      |                           |                                |                |
|            |      |          |                                      | $\varnothing$ 13.5 x 45.9 | $\geq \varnothing$ 14.5 x 55.9 | Loox<br>24 V   |
|            |      |          |                                      | $\varnothing$ 13.5 x 45.9 | $\geq \varnothing$ 14.5 x 55.9 | Loox<br>350 mA |
|            |      |          |                                      | $\varnothing$ 13.5 x 55.7 | $\geq \varnothing$ 14.5 x 65.7 | Loox<br>700 mA |

732.28.406

| 833.89.126<br>833.89.127<br>833.89.128 |            | 833.89.129  |   |  |     |            |      |            |      |            |
|--|------------|---|---|--|-----|------------|------|------------|------|------------|
| 833.89.058                             |            | <table border="1"> <thead> <tr> <th>X</th> <th></th> </tr> </thead> <tbody> <tr> <td>500</td> <td>833.89.140</td> </tr> <tr> <td>1000</td> <td>833.89.141</td> </tr> <tr> <td>2000</td> <td>833.89.142</td> </tr> </tbody> </table> | X |  | 500 | 833.89.140 | 1000 | 833.89.141 | 2000 | 833.89.142 |
| X                                      |            |   |   |  |     |            |      |            |      |            |
| 500                                    | 833.89.140 |   |   |  |     |            |      |            |      |            |
| 1000                                   | 833.89.141 |   |   |  |     |            |      |            |      |            |
| 2000                                   | 833.89.142 |   |   |  |     |            |      |            |      |            |

|  |  |                     |
|--|--|---------------------|
|  |  | <p>100 - 240 V~</p> |
|--|--|---------------------|

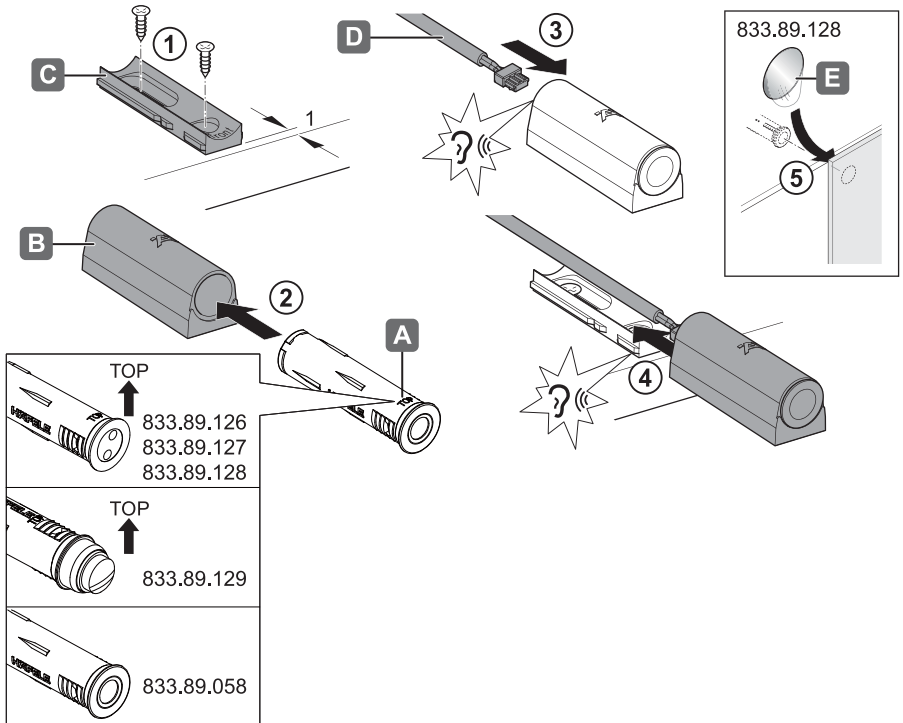
HDE 04/2017



732.28.406

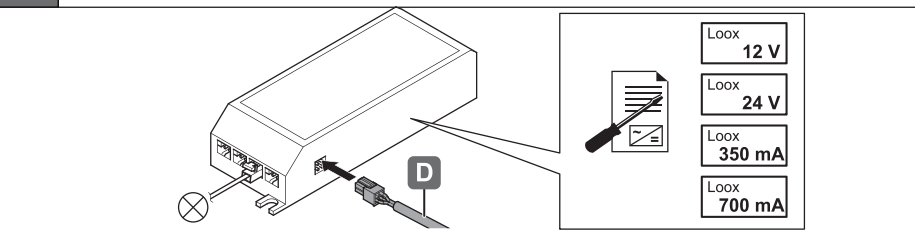
HDE 04/2017

## 1.2

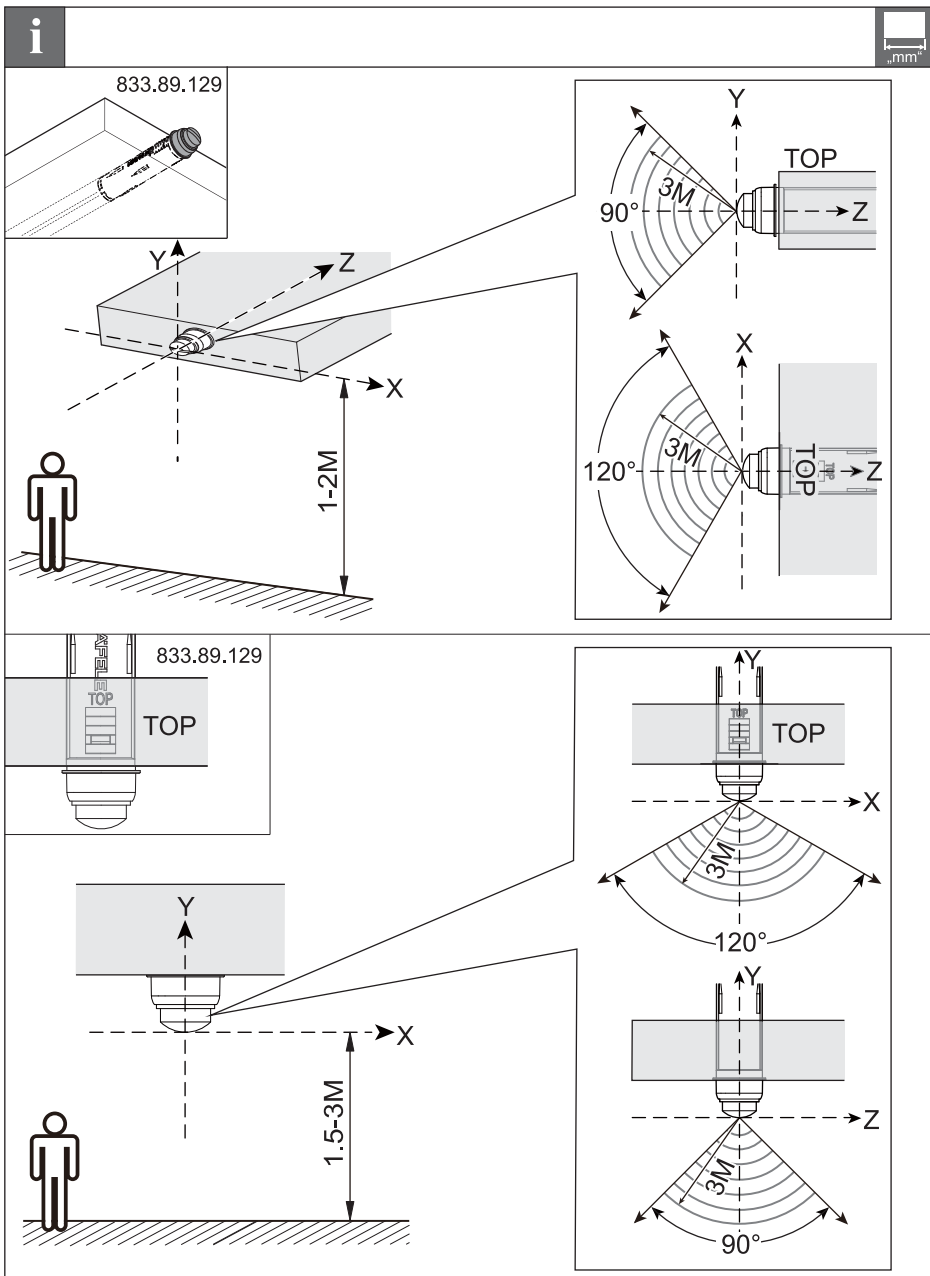


732.28.406

## 2



HDE 04/2017



732.28.406

HDE 04/2017