



Wired

data sheet

# WLED150CV1



WIRED 150W CONSTANT VOLTAGE LED DIMMER.

## WHAT IS IT?

A compact single channel 150W constant voltage LED dimmer with in-built wired receiver and Rako processor for control of single channel constant voltage LED fittings.

Controlled from any Rako Wired device, e.g. WCM, WAPIR or from wireless devices via a WA/WTC-Bridge or a WRB100.

The WLED150CV1 is a wired 150w constant voltage dimming LED driver, suitable for ceiling or cupboard mounting



Designed for use with single channel constant voltage LED fittings and single channel LED tape light.

Maximum wattage of 150W for 12V d.c. fittings or 300w for 24V d.c. fittings. Requires a suitable external d.c. power supply (normally the power supply that would be supplied with the fitting for a non-dimming application).

Programmed using the RASOFT PC software suite, the unit stores the house, room and channel address plus 16 preset scene levels in non volatile memory.

Connection to the Rakom wired network can be via the RJ11 lead, plugging into a RAKLink or RAKStar unit. Alternatively a WPCON or WPCONC unit can be used as a remote plug in connection point.

Installing a Bridge or WRB100 as part of the wired system will allow the WLED150CV1 to receive commands from wireless devices as part of a "combined" or "hybrid" system.

For more information on dimming LEDs refer to Rako's application sheet 'Controlling LED Lighting With Rako Dimmers and Modules'.



Wired

data sheet

# WLED150CV1

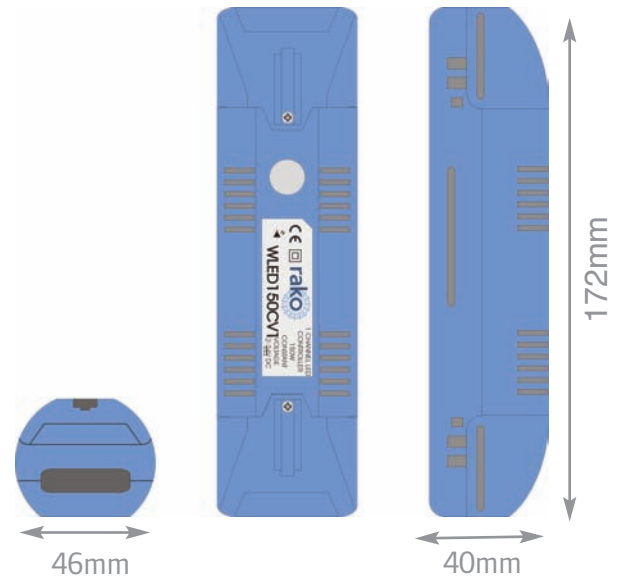


WIRED 150W CONSTANT VOLTAGE LED DIMMER.

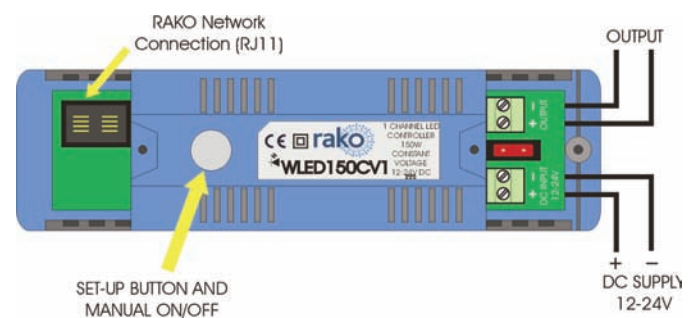
## technical data

dimensions	172x46x40mm
input supply	12V/24V DC power supply depending on load 12-18V DC supply from Rako wired network for control
housing	UL V0 ABS
weight	175g
climate range	Temperature +2C to +40C Humidity +5% - 90% non condensing
connections	2 way screw terminals for 12-24v DC supply. 2 way screw terminals for load connections
protection	Reverse polarity input protection. Output current limit protection
load types	Single channel constant voltage LED fittings and tape
min/max loads	Min: 1W Max: 150W @ 12V DC 300W @ 24V DC
terminal sizes	4 mm <sup>2</sup>
standards	Emissions - EN61000-6-3 : 2007 Immunity - EN61000-6-1 : 2007
communication	Rakom wired network
memory	Flash memory (non volatile)

## mechanical data



## connection details



telephone +44 (0) 1634 226666 fax +44 (0) 1634 226667 [www.rakocontrols.com](http://www.rakocontrols.com)