



Wired

data sheet

# WA-NEX

NETWORK EXTENDER FOR LARGE RAKOM NETWORKS



## WHAT IS IT?

A wired network extender that creates two separate wired Rakom networks

The WA-NEX is a network extender for large Rakom networks



## NETWORK EXTENDER FOR LARGE RAKOM NETWORKS

A wired network extender that creates two linked Rakom networks. Can be used when the maximum data cable length of 3km is exceeded (more common when using RAK-STAR units). The WA-NEX can also be used when site wiring prohibits the correct connection of a daisy chain system creating a second network for a connection that would otherwise form a spur on the network.

For more information refer to the Application Sheet 'WA-NEX application notes'.



Wired  
data sheet  
**WA-NEX**

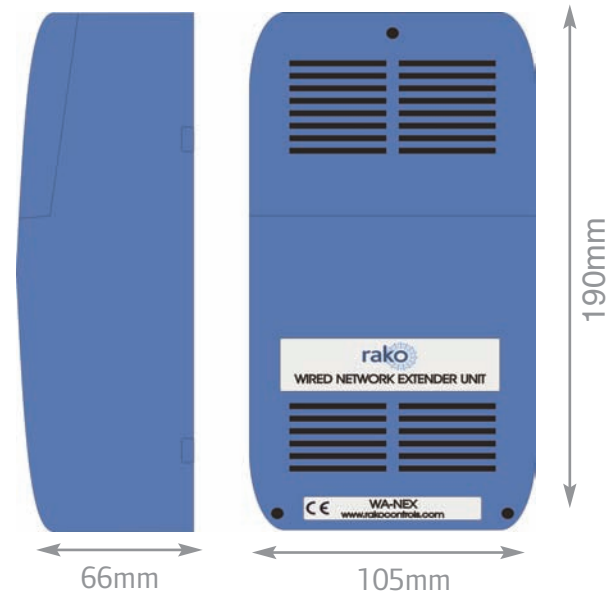
NETWORK EXTENDER FOR LARGE RAKOM NETWORKS



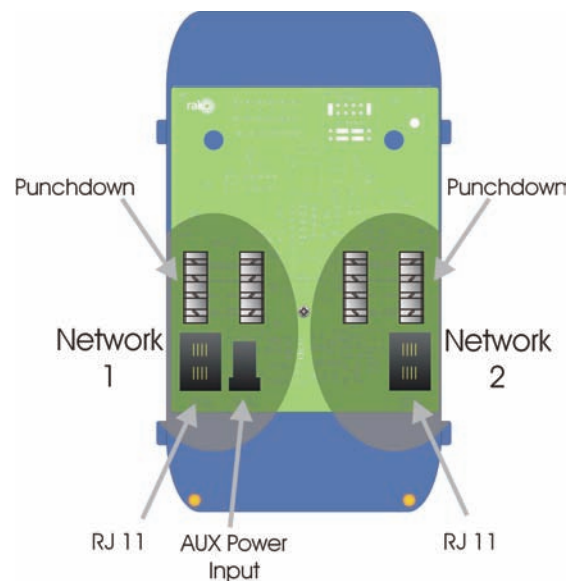
### technical data

dimensions	190x105x66mm
housing	UL V0 ABS
weight	280g
climate range	Temperature +2C to +40C Humidity +5% - 90% non condensing
connections	RJ11 or Krone punch-down connections for each network - Rakom wired network
standards	Emissions - EN61000-6-3 : 2007 Immunity - EN61000-6-1 : 2007
memory	Flash memory (non volatile)

### mechanical data



### connection details



telephone +44 (0) 1634 226666 fax +44 (0) 1634 226667 [www.rakocontrols.com](http://www.rakocontrols.com)