



Wireless

data sheet

RSR-DALI

WIRELESS ADDRESSABLE DALI CONTROL MODULE



WHAT IS IT ?

The RSR-DALI is a wireless receiver module with outputs to control 15 channels of addressable DALI fittings in a single Rako Room.

Individual DALI fittings can be grouped to Rako channels and the unit includes an address recovery function allowing should one DALI fitting need replacing.

Controlled from any Rako Rako RF device, for example the RCP/RCM push button RF wall-plates.

The RSR-DALI is a wireless control module giving control of up to 15 addressable channels of DALI controllable fittings in a single Rako Room



ADDRESSABLE DALI CONTROL

The RSR-DALI allows a wireless Rako system to have addressable control of DALI light fittings. The module is complete with an 18V DC power supply that powers the DALI network.

Programming is achieved with Rasoft Pro and allows Auto addressing of DALI devices. Swap, Move and Group functions allow the user to achieve a logical arrangement of devices for programming.

The RSR-DALI controls up to 64 DALI devices grouped to 15 channels of control in a single Rako Room.

Note: The RSR-DALI is not supported by Rasoft Classic Software.



Wireless

data sheet RSR-DALI

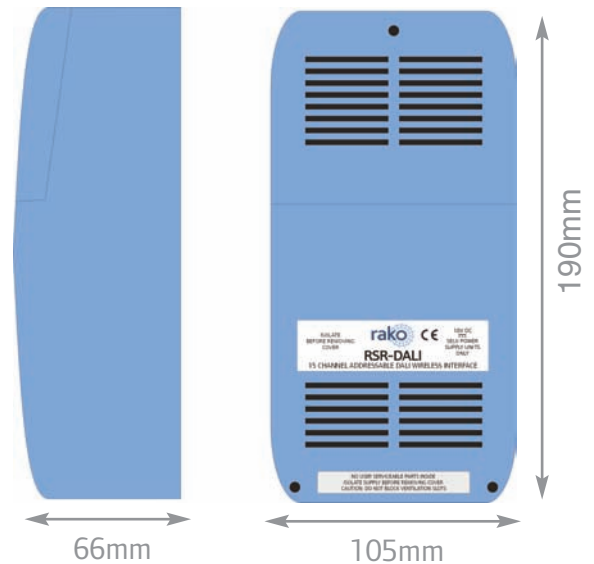
WIRELESS ADDRESSABLE DALI CONTROL MODULE



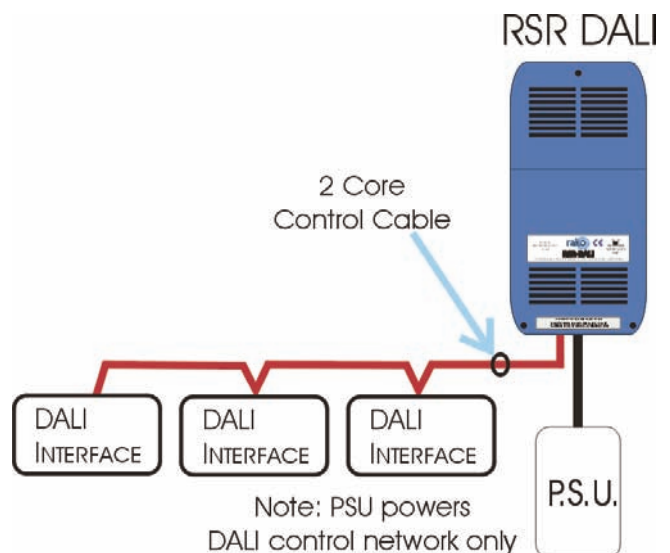
technical data

dimensions	190x105x66mm
input supply	18V DC
dali connections	4 way screw terminal for loop in loop out
weight	340g
housing	UL V0 ABS
climate range	Temperature +2C to +40C Humidity +5% to 95% non condensing
standards	Emissions - EN61000-6-3 : 2007 Immunity - EN61000-6-1 : 2007 LVD - EN 60950-1 :2006
communication	Rakom coded fm radio, 433.9MHz
memory	Flash memory (non volatile)

mechanical data



connection details



telephone +44 (0) 1634 226666 fax +44 (0) 1634 226667 www.rakocontrols.com

WE RESERVE THE RIGHT TO CHANGE THE SPECIFICATION AND DATA HEREWITH WITHOUT NOTICE.

© 2016 RAKO CONTROLS LIMITED